

Dear Friends, this is the Special Paid Bundle PDF Course which was made because of the Hard work of Our Experts Team. This PDF Course consists of High-Standard Questions on Reasoning, Quants, English, Current Affairs Quiz, Static GK Quiz and Banking Awareness Quiz Exactly on Exam Level. Total 40,000 Questions and Course Duration is of 50 Days for each exam. If anyone got this PDF without purchasing it, kindly buy this PDF Officially using the link given below. This will encourage us to work harder to produce high quality content for you in upcoming days.

[Get Our Special Grand Bundle PDF Course for All Upcoming Bank Exams](#)

## Grand Bundle PDF Course 2021

Exams Covered:

SBI Clerk | SBI PO | IBPS RRB PO |  
IBPS RRB Clerk | IBPS PO | IBPS Clerk

Separate PDF Course for All Major **Bank Pre + Mains** Exams

- Total No. of Ques.: **40,000+**
- Question in Bilingual (**Eng & Hindi**)
- Answers With Detailed **Video Solution**
- Provides you **50 days Study Planner** for each exams
- **Covers all types** of questions in each topic
- Questions in **Exact Exam Level**
- All Our PDFs are **Downloadable**
- **100% Satisfaction Assured** & It's Worthy for your money

[Click Here For SBI Clerk & IBPS RRB PO Mains 2021 - Bundle PDF Course Reasoning Day 1](#)

## Memory Based Paper – Reasoning Ability

IBPS PO MAINS Held on 4<sup>th</sup> Feb 2021

SBI PO MAINS Held on 29<sup>th</sup> Jan 2021

IBPS RRB Officer Scale 1 Mains held on Jan 30<sup>th</sup> 2021

Detailed Question Analysis with our Mock Test:

### **IBPS PO Mains Held on February 4<sup>th</sup> 2021:**

- 1) Data Sufficiency (2 statements based- Coding decoding, coded blood relation) - RRB PO Mains Set 5 – Q (25-26), RRB PO Mains Set -6-Q (31-35), RRB PO Mains Set 9- Q (30-32), SBI PO Mains Set-2 Q (32-34), IBPS PO Mains Set -2- Q(37-39)
- 2) Coded direction (bracket type) - covered - SBI PO Mains Set 6- Q (25-26), SBI PO Mains Set 7-Q (37-39),
- 3) Month with date based puzzle - covered - RRB PO Mains Set -3 Q (18-21)- Also in our express video course - Puzzle→ video 28 ( High level puzzle and seating arrangement)
- 4) Concentric square based seating - covered - RRB PO Mains Set -6 -Q (34-38), IBPS PO Mains Set 4- Q (25-26)
- 5) Input output- word and number mixed - covered - Express video course Reasoning Miscellaneous topics Mains), Input output→ video no-5
- 6) Floor puzzle with two variable (7 floors) - covered - Express video course (High level puzzle and seating arrangement) –Puzzle → video-19
- 7) Parallel row based (houses)-single variable - covered - SBI PO Mains Set 6- Q (41-44)
- 8) Selection based puzzle with conditions – Not covered –Given in memory based PDF

### **SBI PO Mains Held on January 29<sup>th</sup> - 2021:**

- 1) Box based puzzle (Eight boxes) – covered -RRB PO Mains Set 2- 2020 - Q (18-22),

[Click Here to Get our Grand Bundle PDF Course to Access 40,000 Qus \(Eng+Hin\) with Video Solution](#)

**Website:** [www.guidely.in](http://www.guidely.in) | **Blog:** [www.ibpsguide.com](http://www.ibpsguide.com) | **Email:** [support@guidely.in](mailto:support@guidely.in)

- 2) Parallel row based seating— **covered** -[SBI PO Mains set- 8 Q\(41-43\)](#) dice based (single variable), [IBPS PO Mains Set -10 Q \(31-34\)](#) (two variable)
- 3) Circular arrangement with age (blood relation) -**covered** -[RRB PO Mains set 7- Q \(9-13\)](#)
- 4) Year based puzzle- reverse type -**covered** -[SBI PO Mains Set- 2- Q \(18-21- \(2 variable\), IBPS PO Mains Set 8- Q \(31-34\)](#)
- 5) Matrix and string based puzzle- **covered** -[SBI PO Mains Set-5- Q \(18-20\)](#)
- 6) Input output (word and number mixed) - **covered** -[Express video course 2020 - Reasoning Miscellaneous topics Mains, Input output→ video no-5](#)
- 7) Coded Direction sense (bracket type) - **covered** -[RRB PO Mains Set-3 Q\(6-8\)](#),
- 8) Reverse syllogism – **covered** - [Express video course 2020 - Reasoning Miscellaneous topics Mains, Syllogism→video 3](#)
- 9) Stair case based puzzle—**Not covered** (given in Memory based Paper)

### **RRB PO Mains Held on January 30<sup>th</sup> 2021:**

- 1) Year based puzzle with two variable (fruit) - **covered** - [RRB PO Mains Set 5- Q\(1-5\)](#)
- 2) Unknown linear seating - **covered** -[IBPS PO Mains Set-7-Q \(41-42\), IBPS PO Mains Set- 6- Q \(40-41\)](#)
- 3) Box based puzzle (two variable) - **covered**—[Bundle PDF course day-45](#)
- 4) Circular seating with age - **covered** -[RRB PO Mains Set-9-Q \(25-29\)](#),
- 5) Day based puzzle-1 mark - **covered** -[RRB PO Mains Set- 4- Q \(20\), SBI PO Mains Set-1- Q \(35\)](#)
- 6) Blood relation (paragraph based) - **covered** - [IBPS PO Mains Set 10- Q \(14-16\)](#)
- 7) Data Sufficiency (2 statement based) - **Covered** - [RRB PO Mains Set 5 – Q \(25-26\), RRB PO Mains Set -6-Q \(31-35\), RRB PO Mains Set 9- Q \(30-32\).](#)

## IBPS PO MAINS Memory based Paper Held on 4<sup>th</sup> Feb 2021

**Direction (1-5):** Answer the questions based on the information given below. **Not Covered (Will cover this model in upcoming mains mock test)**

Six persons joined the ABC organization in 2017. All are joined on different dates of either the same or different month. Each of them already has some working experience. One of them joins on 18<sup>th</sup> July.

Less than two persons joined before E who has an experience in even number. The number of persons joined before E is same as after the one whose experience is 13 years. B who does not have experience in prime number, joined before the one whose experience is 16 years but after the one whose experience is 5 and 9 years. The one whose experience is 5 years joins before the one whose experience is 9 years who joins on 24<sup>th</sup> May. D has an experience twice that of E's Experience. The number of persons joins between the one whose experience is 5 years and B is the same as between the one whose experience is 9 years and D who joins in the organization on 27<sup>th</sup> September. A joins after C but before F. The one who joins on 26<sup>th</sup> July joined before D but after B. The one whose experience is 10 years joined after the one who joined the organization on 12<sup>th</sup> January which is not the joining date of E. B does not join on 15<sup>th</sup> January.

Based on their working experience a foreign company XYZ gives the project with certain conditions:

1. The project is given to those people having experience minimum of 3 years after joining the ABC Organization (Calculate their experience on the following date 31<sup>st</sup> august 2020).
2. The project is given to the persons who joins the organization at first according to the month.
3. If two persons join in the same month then give priority to the one who joins the organization first according to date.

**1) Which among the following is the order of the people who get the project?**

- a) CEABF
- b) BFACE
- c) FCEBA
- d) FECBA
- e) None of these

**2) If the project is given according to the only date of joining of the people then how many persons remain unchanged in their positions?**

- a) None
- b) 3
- c) 2
- d) 1
- e) 4

3) Who among the following has maximum working experience as before the joining of this organization?

- a) A
- b) B
- c) C
- d) E
- e) None of these

4) How many persons joined after F?

- a) 1
- b) 2
- c) 3
- d) 4
- e) None of these

5) If the company appointed a CEO who has an experience minimum of 10 years, then who will be the CEO?

- a) B
- b) D
- c) E
- d) Either a or b
- e) Either B or C

**Direction (6-7):** Each of the questions below consists of a question and two statements numbered I and II given below it. **(Covered in most number of Mains mock test)**

A#B means B is the father of A

A?B means A is the daughter of B

A&B means B is the son of A

A!B means A is the mother of B

A%B means A is the husband of B

Along with the given two statements, three statements are given you have to decide whether the data provided along with the three statements are sufficient to answer the question. The statements given below can be used along with the above two statements but cannot be combined together. The statements above are combined.

6) Statement I: T#R&Q&U, S?E!P,

Statement II: V!U, T%!A, S!Q

How is P related to R?

i: S?G%E, A!D#W

ii: S?G%E, G&P

iii: T#R%S,S?E!P

- a) Only ii
- b) Only i
- c) Either only i or only ii
- d) Either only i or only iii
- e) Only iii

7) Statement I: M%R!D;V#D;V%H&U; M&I

Statement II: I!Y!W

What is K related to R?

I: Y?S%A

II: Y!Z#I, D%K

III: K&V%H, K?P

- a) Only II
- b) Only I
- c) Either only I or only II
- d) Either only II or only III
- e) Only III



**Direction (8-12): Study the given information and answer the following questions. - Covered - IBPS PO Mains Set 4- Q (25-26), RRB PO Mains Set - 6 -Q (34-38),**

Eight persons sit around a square table such that four of them sit at the middle of each side and four of them sit at the corners. All of them face outside. A boundary is made around the table with 6 inches gap between the table and a boundary around each side of the table. Four of the persons sitting in the middle of the boundary and four sit at the corner of the boundary. All the persons sitting around the boundary face inside.

Two persons sit between B and the one who faces Q. B faces inside. S sits immediate right of the one who faces B. Three persons sit between the one who sits immediate right of the one who faces S and V. E faces D who sits second to the left of V. E sits at the corner of the table and adjacent to K. T sits third to the left of the one who faces K. Y sits on the boundary but not adjacent to T. The person who faces L sits second to the right of Q. W faces R who sits second to the left of O. One person sits between F and E. F does not face V. G does not face T. C sits second to the left of G.

**8) Which of the following statement is not true?**

- I. W sits at the inner table
- II. V faces C
- III. K sits third to the right of G.

- a) Both I and II
- b) Both I and III
- c) Only II

- d) All I, II and III
- e) None of these

**9) How many persons sit between the one who faces K and Y when counted from the left of Y?**

- a) Two
- b) Three
- c) One
- d) None
- e) Four

**10) What is the position of O with respect to the person who faces F?**

- a) Immediate right
- b) Second to the left
- c) Immediate left
- d) Third to the right
- e) None of these

**11) Which of the following statement is true?**

- a) Three persons were sitting between F and W
- b) R sits immediate left of V
- c) S faces T
- d) B sits immediate right of Y
- e) None of these

**12) If Q is related to O, in the same manner, K is related to R then how is S related to?**

- a) F
- b) D
- c) R
- d) Y
- e) None of these

**Direction (13):** Study the following information carefully and answer the below questions - **covered - SBI PO Mains Set 6- Q (25-26), SBI PO Mains Set 7-Q (37-39),**

A%B (10) → A is 25m North of B

A#B (12) → A is 27m South of B

A@B (45) → A is 30m West of B

A&B (18) → A is 3m East of B

**Note:** A#@B means A is southwest of B

R%@Q, Q&P(25), P%V(5), V@G(43), W#R(29),

W@T(38), T#G

**13) Which of the following statement is true?**

- a) W%@V
- b) R%&T
- c) T#P
- d) Q#@G
- e) G%T

**Direction (14-18):** Study the given information and answer the following questions. **Covered - Express video course - High Level Puzzle and seating arrangement–Puzzle → video - Month with date single variable**

Twelve persons were born in six months i.e. January, March, June, August, September and October on two different dates i.e. 3 and 18 in the same year.

The Persons whose name starts with a letter which comes before 'M' in alphabetical series was born in the first half of the year i.e. from January to June. The person whose name starts with a letter which comes after 'M' in the

alphabetical series was born in the second half of the year i.e. June to December.

The person whose name has an even number of letters was born in the month which has an odd number of days and the person whose name has an odd number of letters was born in the month which has an even number of days.

Four persons were born between Hina and Pearl. Two persons were born between Pearl and Vidhya. Deepak and Babita were born in the same month. The number of persons born between Deepak and Pearl is the same as the number of persons born between Vidhya and Jignesh. The number of persons born before Faizal is one more than the number of persons born after Teesta. Teesta was born immediately after Sampark. The number of persons between Pearl and Kiran is the same as the number of persons between Teesta and Om. Raavanya was born on an odd-numbered date.

**14) Who among the following was born in October?**

- I. Teesta
- II. Vidhya
- III. Sampark
- a) Both I and III
- b) Both I and II
- c) Only I
- d) All I, II and III
- e) None of these

**15) Which of the following is correctly matched?**

- a) October-3-Vidya

- b) June-3- Raavanya
- c) September 18-Pearl
- d) January-18-Deepak
- e) March-3-Hina

**16) Number of persons who were born before Jignesh is two more than the number of persons who were born after \_\_\_\_\_?**

- a) The one who was born on 3 March
- b) The one who was born on 3 June
- c) The one who was born two persons before Teesta
- d) The one who was born immediately after Pearl
- e) None of these

**17) Which of the following is true?**

- a) Three persons were born between Sampark and Kiran
- b) Pearl was born on 3 September
- c) Jignesh was born immediately after Hina
- d) Babita was born on January
- e) All are correct

**18) Who among the following was born after Faizal?**

- I. The one who was born immediately before Deepak
  - II. The one who was born on 3 January
  - III. Pearl
- a) Only II
  - b) Both I and III
  - c) Only III
  - d) Both II and III

- e) None of these

**Direction (19-23):** Numbers and words arrangement machine when given an input line of numbers and words rearranges them following a particular rule in each step. The following is an illustration of input and rearrangement. - **Covered - Express video course Reasoning Miscellaneous topics Mains → Input output → video no-5**

**Input:** Jailer 58 Abide 93 64 Fabric 19 Eighth Hanged 35 86 Maiden

**Step I:** ebida 92 Jailer 58 64 Fabric 19 Eighth Hanged 35 86 Maiden

**Step II:** highte 87 ebida 92 Jailer 58 64 Fabric 19 Hanged 35 Maiden

**Step III:** ricfab 65 highte 87 ebida 92 Jailer 58 19 Hanged 35 Maiden

**Step IV:** gedhan 59 ricfab 65 highte 87 ebida 92 Jailer 19 35 Maiden

**Step V:** lerjai 34 gedhan 59 ricfab 65 highte 87 ebida 92 19 Maiden

**Step VI:** denmai 18 lerjai 34 gedhan 59 ricfab 65 highte 87 ebida 92

Step VI is the last step.

**Input:** Unity 38 79 centre 62 invert 29 mental 34 wakeup 69 outfit

**19) What is the difference between the fifth element from the right end in step V and the second number from the left end in step VI?**

- a) 36
- b) 33
- c) 32



- d) 45  
e) None of the above

**20) What is the position of “trecen” in step III?**

- a) Second from the left end  
b) Eighth from the right end  
c) Second from the right end  
d) Fourth from the left end  
e) None of the above

**21) How many words end with the vowel in the last step?**

- a) One  
b) Two  
c) Four  
d) Three  
e) None of the above

**22) How many elements are there between “68” and “tuffio” in Step IV?**

- a) One  
b) Three  
c) Four  
d) None  
e) Two

**23) Which among the following elements is third to the right of the fourth element from the left end in step V?**

- a) 63  
b) tnveri  
c) ynitu  
d) 35

- e) trecen

**Direction (24-28): Study the following information carefully and answer the below questions - covered - Express video course - High level puzzle and seating arrangement –Puzzle → video -Floor puzzle with two variable**

Seven persons i.e. M, N, O, P, Q, R and S are living in a seven storey building with seven different floors such that the ground floor is numbered as 1, the floor just above the ground floor is numbered as 2 and so on till the topmost floor is numbered as 7. They all go to different countries i.e. Italy, China, London, Sri Lanka, Austria, India and Japan. All the information is not necessarily in the same order.

M neither goes to Sri Lanka nor lives just above O's floor. P lives below R. N goes to London and lives on floor number 3. Three persons live between the one who goes to India and the one who goes to China. S is from Italy and lives on a floor adjacent to Q's floor. The one who goes to India lives on an even-numbered floor. Two persons live between the floors on which the person who goes to Japan and the person who goes to Sri Lanka live. Q neither goes to Japan nor goes to Sri Lanka. O is from Japan and lives above the one who goes to China. O doesn't live on the topmost floor. The person who goes to London lives on a floor below the person who goes to Sri Lanka and Japan. Q doesn't live adjacent to the one who belongs to Sri Lanka and Japan.

24) Which among the following statements is true?

- a) Three persons live between the one who goes to Austria and Q
- b) R lives on an even-numbered floor
- c) S lives just below the one who lives just below N's floor
- d) The one who goes to Japan lives above R
- e) All are true

25) Four of the following five are alike in a certain way and thus form a group. Which among the following doesn't belong to the group?

- a) P- Sri Lanka
- b) O- India
- c) N-Austria
- d) Q-Japan
- e) M- India

26) Who amongst the following lives on an odd-numbered floor?

- a) The one who goes to India
- b) O
- c) The one who goes to Italy.
- d) Q
- e) None of the above

27) Who among the following lives on the floor 5<sup>th</sup>?

- a) The one who goes to Italy
- b) R
- c) The one who goes to Japan

- d) The one who lives just above the one who goes to Japan
- e) None of the above

28) Which among the following statement is not true?

- a) The one who goes to India lives on the 5<sup>th</sup> floor
- b) O lives on an even-numbered floor
- c) The one who goes to London lives on an odd-numbered floor
- d) No one lives above R
- e) The one who goes to Italy lives on the bottommost floor

**Direction (29-33): Study the following information carefully and answer the below questions – Not covered (will give in 2021 mock test)**

Eight persons i.e. A, B, C, D, E, F, G and H are working in three different departments which are Production, Management and Finance at different posts i.e. manager and general manager. In the finance department, only a manager post is available. They all have different ages. The age of the one who is a general manager is an odd number and the age of the person who is a manager is an even number. The age of each person is less than 90 years. The age of all of them is in a whole number. All the information is not necessarily in the same order. Minimum one person and maximum of two persons are at each post of the given department.

**Note:** If it is given that the person who is a general manager or manager works with A or the one whose age is 65 then it indicates that both the person works in the same department but not necessarily at the same post.

A is a general manager and works with E. B is 31 years old and doesn't work with A. The one whose age is 60 years old works with C. G is 53 years old and works with A. C neither works in management department nor works in production department. The age of D is equal to the sum of the ages of B and G. The one who works with D is 2 years older than A. F's age is less than H. The difference between the ages of D and F is 48. F doesn't work in management department. F and D works in different departments. E's age is twice of C's age. The difference between the ages of C and H is 36. A's age is less than 50.

**29) Who among the following works in the production department?**

- a) The one who is 29 years old
- b) The one who works with H
- c) The one who works with F at the same post
- d) B
- e) Both (a) and (c)

**30) Four of the following five are alike in a certain way and thus form a group. Which among the following doesn't belong to the group?**

- a) A
- b) G
- c) B
- d) E

e) F

**31) Which among the following statement is true?**

- a) The one who is 24-year-old works in finance department
- b) A works in management department
- c) G is a manager
- d) Both (a) and (e)
- e) Sum of A and C age is less than 52

**32) What is the sum of the ages of the persons who work in management department?**

- a) 120
- b) 221
- c) 117
- d) 115
- e) None of the above

**33) How many persons age is more than H?**

- a) Four
- b) One
- c) Six
- d) Two
- e) Three

**Direction (34-36):** Each of the questions below consists of a question and two statements numbered I and II given below it. **(Covered in maximum number of mocks).**

**Statement1:** In the code language 'first friend meet him' is coded as ' fg ty ki ad', 'hello can we

meet' is coded as 'gh jk ki cx'. 'also refer him friend' is coded as 'lm rk ad fg'

**Statement2:** 'We dont meet him' is coded as 'cx db ki ad'. 'true teacher can meet' is coded as 'tu lo jk ki'. 'assigning we can hello' is coded as 'ae cx jk gh'.

Along with the given two statements, three statements are given. You have to decide whether the data provided along with the three statements are sufficient to answer the question. The statements given below can be used along with the above two statements but cannot be combined together. The statements above are combined.

**34) What is the code of "first meet assigning leader" in the given code language?**

I: In the code language 'leader faith can meet' is coded as 'ar ft jk ki'.

II: In the code language 'language leader can use' is coded as 'hj ar jk vc'

III: In the code language 'leader can meet' is coded as 'ar jk ki'.

- a) Only III
- b) Only I
- c) Either only I or only II
- d) Either only I or only III
- e) Only II

**35) What is the code of "true leader can" in the given code language?**

I: In the code language 'leader fights back' is coded as 'ar zx jn'.

II: In the code language 'survive leader true' is coded as 'ar tu sq'

III: In the code language 'purpose of leader' is coded as 'pr as ar'.

- a) Only II
- b) Only III
- c) Either only I or only II
- d) Either only II or only III
- e) None of these

**36) What is the code of "right friend true" in the given code language?**

I: In the code language 'true friend right' is coded as 'tu fg ko'.

II: In the code language 'leader friend teacher' is coded as 'ar fg lo'

III: In the code language 'true him right' is coded as 'tu ad ko'.

- a) Either only I or only III
- b) Only III
- c) Either only II or only III
- d) Either only I or only II
- e) None of these

Answer with Detail Explanation

Direction (1-5):

Final Arrangement:

**Case-1:**

Persons	Date of joining	Working experience
C	12 <sup>th</sup> Jan	5 Years
E	15 <sup>th</sup> Jan	8 Years
A	24 <sup>th</sup> May.	9 Years
B	18 <sup>th</sup> July	10 Years
F	26 <sup>th</sup> July	13 Years
D	27 <sup>th</sup> Sept	16 Years

**Persons getting project: C E A B F**

- Less than two persons joined before E who has an experience in even number.
- The number of persons joined before E is same as after the one whose experience is 13 years.

**Case-1:**

Persons	Date of joining	Working experience
E		
		13 Years

**Case-2:**

Persons	Date of joining	Working experience
E		
		13 Years

- B who does not have experience in prime number, joined before the one whose experience is 16 years but after the one whose experience is 5 and 9 years.
- The one whose experience is 5 years joins before the one whose experience is 9 years who joins on 24<sup>th</sup> May.

**Case-1:**

Persons	Date of joining	Working experience
		5 Years
E		
	24 <sup>th</sup> May.	9 Years
B		
		13 Years
		16 Years

**Case-2:**

Persons	Date of joining	Working experience
E		
		5 Years
	24 <sup>th</sup> May.	9 Years
B		
		16 Years
		13 Years

- The number of persons joins between the one whose experience is 5 years and B is the same as between the one whose experience is 9 years and D who joins in the organization on 27<sup>th</sup> September.
- D has an experience twice that of E's Experience.



**Case-1:**

Persons	Date of joining	Working experience
		5 Years
E		8 Years
	24 <sup>th</sup> May.	9 Years
B		
		13 Years
D	27 <sup>th</sup> Sept	16 Years

**Case-2:**

Persons	Date of joining	Working experience
E		8 Years
		5 Years
	24 <sup>th</sup> May.	9 Years
B		
D	27 <sup>th</sup> Sept	16 Years
		13 Years

- A joins after C but before F.
- The one who joins on 26<sup>th</sup> July joined before D but after B. Hence Case-2 gets eliminated

**Case-1:**

Persons	Date of joining	Working experience
C		5 Years
E		8 Years
A	24 <sup>th</sup> May.	9 Years
B		
F	26 <sup>th</sup> July	13 Years
D	27 <sup>th</sup> Sept	16 Years

**Case-2:**

Persons	Date of joining	Working experience
E		8 Years
C		5 Years
A	24 <sup>th</sup> May.	9 Years
B		
D	27 <sup>th</sup> Sept	16 Years
F		13 Years

- The one whose experience is 10 years joined after the one who joined the organization on 12<sup>th</sup> January which is not the joining date of E.
- B does not join on 15<sup>th</sup> January.

**Case-1:**

Persons	Date of joining	Working experience
C	12 <sup>th</sup> Jan	5 Years
E	15 <sup>th</sup> Jan	8 Years
A	24 <sup>th</sup> May.	9 Years
B	18 <sup>th</sup> July	10 Years
F	26 <sup>th</sup> July	13 Years
D	27 <sup>th</sup> Sept	16 Years

**Conditions:**

The project is given to those people having experience minimum of 3 years after joining the ABC organization (Calculate their experience on the following date 31<sup>st</sup> august 2020).

- Other than D, all persons getting the project (since D joined in September so working experience can't be 3 years)

The project is given to the persons who joins the organization at first according to the month.

- By comparing months the following sequence is obtained.

C/E A B/F

If two persons join in the same month then give priority to the one who joins the organization first according to date.

- By comparing Date and month the following sequence is obtained.

C E A B F

1) Answer: A

2) Answer: B

3) Answer: E

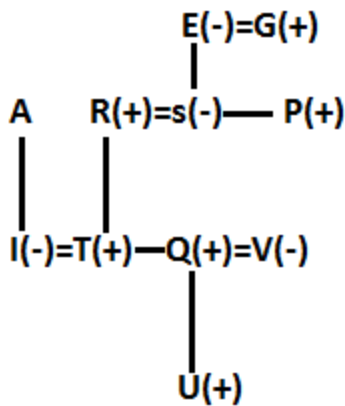
4) Answer: A

5) Answer: D

Direction (6-7):

6) Answer: A

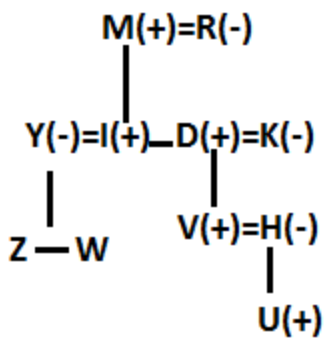
From statement I and statement II and ii we get;



So, P is the brother in law of R.

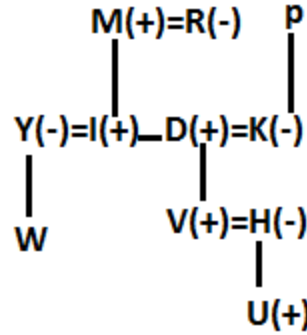
7) Answer: D

From statements I and II and with ii we get:



K is the daughter-in-law of R

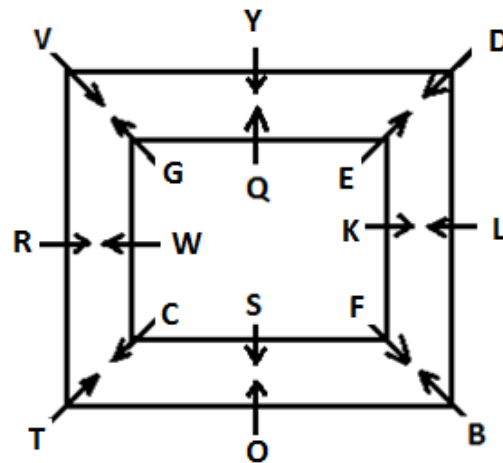
from statements I and II and iii we get:



K is the daughter-in-law of R.

Direction (8-12):

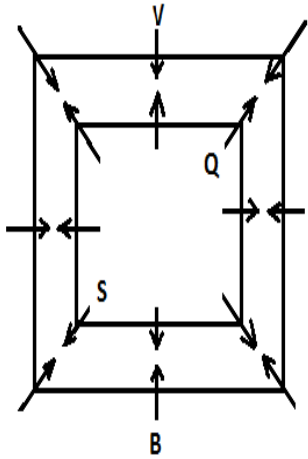
Final Arrangement:



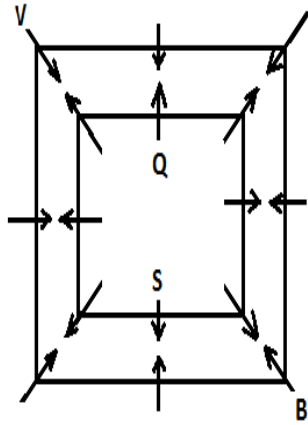
Explanation:

Sol. From the given statements,

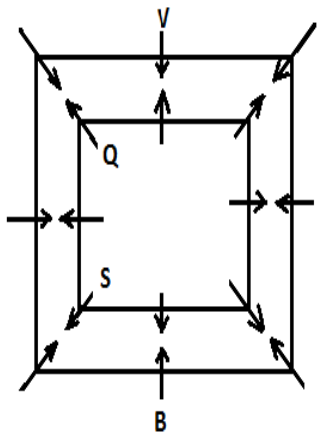
- Two persons sit between B and the one who faces Q. B faces inside. S sits immediate right of the one who faces B.
- Three persons sit between the one who sits immediate right of the one who faces S and V. so we have four possible cases i.e. case-1, case-2, case-3 and case-4;



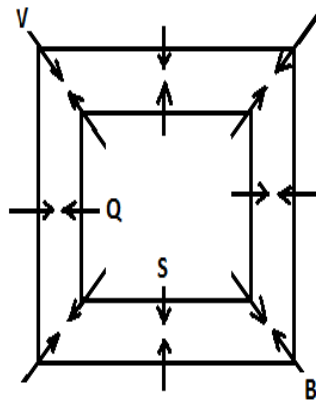
case-1



case-2

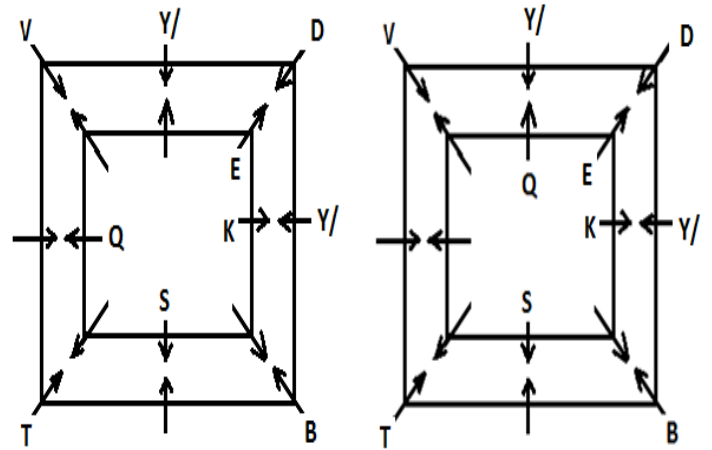


case-3



case-4

- E faces D who sits second to the left of V. E sits at the corner of the table and adjacent to K. So, case-1 and case-3 is eliminated.
- T sits third to the left of the one who faces K. Y sits on the boundary but not adjacent to T.

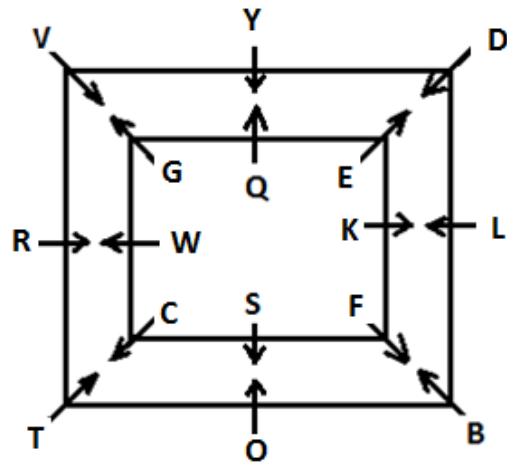


case-4

case-2

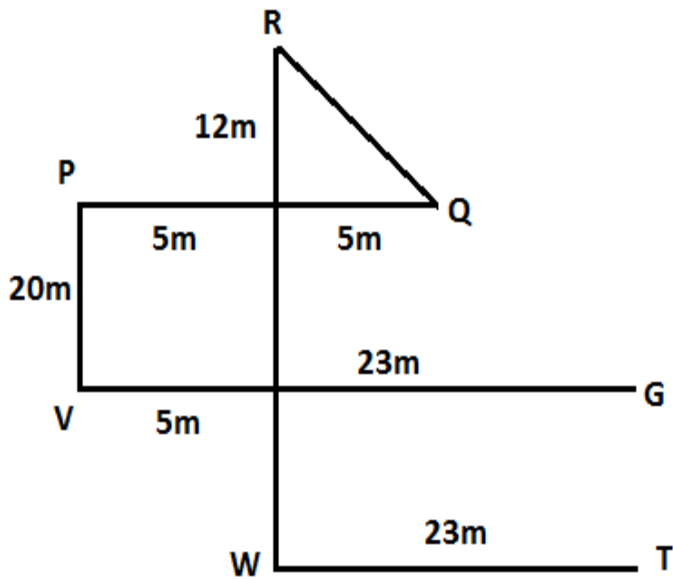
- The person who faces L sits second to the right of Q. W faces R who sits second to the left of O. so case-4 is eliminated.
- One person sits between F and E. F does not face V. G does not face T. C sits second to the left of G.

So final arrangement is



- 8) Answer: C
- 9) Answer: C
- 10) Answer: C
- 11) Answer: E
- 12) Answer: D

13) Answer: E



Direction (14-18):

Final Arrangement:

Month	Date	Persons
January	3	Babita
	18	Deepak
March	3	Faizal
	18	Hina
June	3	Jignesh
	18	Kiran
August	3	Raavanya
	18	Om
September	3	Pearl
	18	Sampark
October	3	Teesta
	18	Vidhya

- Four persons were born between Hina and Pearl. Two persons were born between Pearl and Vidhya.

- Vidhya and Pearl were born after June because the name starts with V and P. Hina was born before June as the name starts with 'H'.

Month	Date	Persons
January	3	
	18	
March	3	
	18	Hina(4)
June	3	
	18	
August	3	
	18	
September	3	Pearl(5)
	18	
October	3	
	18	Vidhya

- Deepak and Babita were born in the same month. The number of persons born between Deepak and Pearl is the same as the number of persons born between Vidhya and Jignesh.

Month	Date	Persons
January	3	Babita
	18	Deepak
March	3	
	18	Hina(4)
June	3	Jignesh
	18	
August	3	
	18	
September	3	Pearl(5)
	18	
October	3	
	18	Vidhya

- The number of persons born before Faizal is one more than the number of persons born after Teesta.
- Teesta was born immediately after Sampark. The number of persons between Pearl and Kiran is the same as the number of persons between Teesta and Om.
- Raavanya was born on an odd-numbered date.

Month	Date	Persons
January	3	Babita
	18	Deepak
March	3	Faizal
	18	Hina
June	3	Jignesh
	18	Kiran
August	3	Raavanya
	18	Om
September	3	Pearl
	18	Sampark
October	3	Teesta
	18	Vidhya

14) Answer: B

15) Answer: D

16) Answer: D

17) Answer: E

18) Answer: C

Direction (19-23):

Logic:

Words: Words are arranged in alphabetical order from left to right.

If the word starts with a vowel: the first and last letters of the word are interchanged.

If the word starts with a consonant: the position of the first three letters and the position of the last three letters are interchanged.

Numbers: Numbers are arranged in descending order from left to right

If the number is even: add 1 to the number

If the number is odd: subtract 1 from the number



**Input:** Unity 38 79 centre 62 invert 29 mental 34  
wakeup 69 outfit

**Step I:** trecen 78 Unity 38 62 invert 29 mental 34  
wakeup 69 outfit

**Step II:** tnveri 68 trecen 78 Unity 38 62 29 mental  
34 wakeup outfit

**Step III:** talmen 63 tnveri 68 trecen 78 Unity 38  
29 34 wakeup outfit

**Step IV:** tutfio 39 talmen 63 tnveri 68 trecen 78  
Unity 29 34 wakeup

**Step V:** ynitu 35 tutfio 39 talmen 63 tnveri 68  
trecen 78 29 wakeup

**Step VI:** eupwak 28 ynitu 35 tutfio 39 talmen 63  
tnveri 68 trecen 78

19) Answer: B

20) Answer: B

21) Answer: D

22) Answer: C

23) Answer: B

**Direction (24-28):**

**Final arrangement:**

Floors	Persons	Countries
7	R	Sri Lanka
6	M	India
5	P	Austria
4	O	Japan
3	N	London
2	Q	China
1	S	Italy

- N goes to London and lives on floor number 3. Three persons live between the one who goes to India and the one who goes to China.
- The one who goes to India lives on an even-numbered floor. So, here we have two possible cases i.e. case1 and case 2.
- Two persons live between the floors on which the person who goes to Japan and the person who goes to Sri Lanka live.
- The person who goes to London lives on a floor below the person who goes to Sri Lanka and Japan.

Floors	Case 1		Case 2	
	Persons	Countries	Persons	Countries
7		Japan/Srilanka		Japan/Srilanka
6		India		China
5				
4		Japan/Srilanka		Japan/Srilanka
3	N	London	N	London
2		China		India
1				

- S is from Italy and lives on the floor adjacent to Q's floor.
- Q neither goes to Japan nor goes to Sri Lanka.
- Q doesn't live adjacent to the one who belongs to Sri Lanka and Japan.

Floors	Case 1		Case 2	
	Persons	Countries	Persons	Countries
7		Japan/Srilanka		Japan/Srilanka
6		India		China
5				
4		Japan/Srilanka		Japan/Srilanka
3	N	London	N	London
2	Q	China	Q	India
1	S	Italy	S	Italy

- O is from Japan and lives above the one who goes to China.
- O doesn't live on the topmost floor. From these conditions case 2 gets eliminated.
- M neither goes to Sri Lanka nor lives just above O's floor. P lives below R. So the final arrangement is:

Floors	Case 1	
	Persons	Countries
7	R	Sri Lanka
6	M	India
5	P	Austria
4	O	Japan
3	N	London
2	Q	China
1	S	Italy

24) Answer: C

25) Answer: E

26) Answer: C

27) Answer: D

28) Answer: A

Direction (29-33):

Final Arrangement:

	Production	Management	Finance
General manager	A(29), G(53)	B(31)	—
Manager	E(48), F(36)	D(84)	C(24), H(60)

- A is a general manager and works with E. So, here we have four possible cases.
- B is 31 years old and doesn't work with A.
- The one whose age is 60 years old works with C. C neither works in management department nor works in production department.

	Case 1			Case 2		
	Production	Management	Finance	Production	Management	Finance
General manager	B(31)	A,E	—	B(31)	A	—
Manager			C, 60		E	C, 60

	Case 3			Case 4		
	Production	Management	Finance	Production	Management	Finance
General manager	A,E	B(31)	—	A	B(31)	—
Manager			C, 60	E		C, 60

- G is 53 years old and works with A. So, case 1 and case 3 get eliminated because Minimum one person and maximum of two persons are at each post of the given department and the age of the one who is a general manager is an odd number.
- The age of D is equal to the sum of the ages of B and G which means D is 84 years old and at manager post ( manager age is an even number).
- The difference between the ages of D and F is 48. F doesn't work in management department. F and D works in different departments. F's age is less than H.

Case 2			
	Production	Management	Finance
General manager	B(31)	A, G(53)	—
Manager	F (36)	D(84),E	C,H( 60)

Case 4			
	Production	Management	Finance
General manager	A, G(53)	B(31)	—
Manager	E, F(36)	D(84)	C, H(60)

- The one who works with D is 2 years older than A. A's age is less than 50. So, case 2 gets eliminated here because both G and E works with D and E's age can't be an odd number and A's age can't be 51.
- E's age is twice of C's age. The difference between the ages of C and H is 36. And the final arrangement is:

Case 4			
	Production	Management	Finance
General manager	A(29), G(53)	B(31)	—
Manager	E(48), F(36)	D(84)	C(24), H(60)

29) Answer: E

30) Answer: C

31) Answer: A

32) Answer: D

33) Answer: B

**Direction (34-36):**

From statement I and II we have the following code;

Words	Codes
Meet	Ki
Friend	Fg
Him	Ad
First	Ty
Can	Jk
Hello	Gh
We	Cx
Assigning	Ae
also/refer	lm/rk
Don't	Db
teacher/true	tu/lo

34) Answer: A

In this case, only III gives the following code; leader-ar; so "first meet assigning leader" is coded as-ty ki ae ar

**35) Answer: E**

In this case, none of the given statements can give answer.

**36) Answer: A**

In this from I we get following code-

true-tu, right -ko

From III we get codes-

true-tu, right-ko

so "right friend true" is coded as-ko fg tu

### SBI PO MAINS Memory based Paper Held on 29<sup>th</sup> JAN 2021

**Direction (1-5): Study the following information carefully and answer the below questions. -**

**covered - SBI PO Mains Set- 2- Q (18-21- (2 variable), IBPS PO Mains Set 8- Q (31-34)**

Eight persons- P, Q, R, S, T, U, V, and W are born in different years but not necessarily in the same order. The ages of each person are calculated from the base year 2020.

**Note: If it is given that A's age is equal to the last two digits of the birth year of B, then the age of A will be in any sequence. For example: If B is born in 1992, A's age is equal to the last two digits of the birth year of B, then the age of A may be either 29 or 92 years. None of the persons were born before 1970 and after 2015.**

W was born in 2000. Only three persons are born between W and T. The age of T is the last two digits of the birth year of V. The difference between the age of V and W is five years. V is born two persons after the one whose age is 20 years. Q is born two persons before the one who is born immediately after S. Only two persons are born between S and the one whose age is 18 years. The sum of the ages of W and R is one less than the age of S. The last two digits of the

birth year of a person who is born adjacent to Q is equal to the age of the person who is born immediately after W. The age difference between R and the one whose age is 20 is the same as between Q and the one who is born adjacent to Q. The age difference between V and U is one less than the age difference between Q and S. The numbers of persons are born between P and R is the same as between S and T. The age of P is equal to the last two digits of the birth year of the person who was born two persons before P. All persons ages are equal to the last two digits of the birth year of some other persons except V and Q.

**1) What is the age of P?**

- a) 19
- b) 27
- c) 28
- d) 07
- e) 38

**2) Who among the following person was born immediately before V?**

- a) U
- b) The one who was born immediately after W

- c) Q
- d) T
- e) The one who was born two persons after S

**3) What is the sum of the ages of V, U, and T?**

- a) 95
- b) 83
- c) 68
- d) 72
- e) 75

**4) As many persons are born before Q is same as after\_\_?**

- a) The one who was born in 2005
- b) The one who was born in 2000
- c) The one who was born in 2013
- d) S
- e) P

**5) In which of the following year does Q was born?**

- a) 1970
- b) 1972
- c) 1975
- d) 1985
- e) 1993

**Direction (6-10): Study the following information carefully and answer the below questions – covered - RRB PO Mains Set 2- 2020 - Q (18-22),**

Eight boxes – A, B, C, D, E, F, G, and H are kept one above another on the different shelves. The

boxes are of different colors- Red, Green, Blue, Black, White, Pink, Yellow, and Orange. All the information is not necessarily in the same order.

Only two boxes are kept between Box H and White color box. Box G is adjacent to Box H. Only one box is kept between G and the yellow color box. The yellow box is kept on three shelves above the box which is kept immediately below Green box. The black box is kept immediately above Blue box. H is neither Black color nor Blue color. The number of boxes that are kept above White is the same as below Red box. The red box has only one adjacent box. Box A has kept immediately below the box which is kept three shelves above Box H. The number of the boxes is kept above A is one less than below the Orange color box. The number of boxes is kept between Pink and Blue colored box is the same as between E and B. The box which is kept immediately above the Pink box is adjacent to Box C. The number of boxes is kept between E and Green box is the same as between B and White box. Box D is kept below Box F.

**6) Which of the following box is kept three-position above the Blue box?**

- a) D
- b) C
- c) The box which is kept immediately below E
- d) The box which is kept immediately above H
- e) F

**7) How many boxes are kept between the Orange box and Yellow box?**



- a) Three
- b) Two
- c) Four
- d) Five
- e) None of these

8) Which of the following box is kept at the sixth position from the bottom?

- a) The box which is kept immediately below B
- b) A
- c) The box which is kept immediately above G
- d) F
- e) Both b and c

9) Which of the following combination is true?

- a) H-Black
- b) A-Pink
- c) D-Green
- d) C-White
- e) B-Blue

10) If C is related to Green, A is related to Black then which of the following box is related to White?

- a) The box which is kept immediately below D
- b) Box F
- c) The box which is kept two shelves above G
- d) Box B
- e) Box H

**Direction (11-13): Study the following information carefully and answer the below questions- covered in most number of mock test**

A@B(14m) → A is 10m north of B

A#B(15m) → A is 19m south of B

A\$B(10m) → A is 7m east of B

A%B(12m) → A is 14m west of B

@% → north-west, # \$ → Southeast

Z\$M#H; H@R(12); Y#Z(5); R\$O(15); O@P(13);

Z%N(8); N#C\$H; V#X(1); L%H(4); V\$P(23);

X%Y(1)

11) What is the direction of Y with respect to H?

- a) @%
- b) # \$
- c) Can't be determined
- d) #%
- e) @\$

12) What is the direction and shortest distance of C with respect to L?

- a) C\$L(25)
- b) L%C(27)
- c) C\$L(30)
- d) C%L(27)
- e) None of the above

13) What is the shortest distance between M and N?

- a) 21m
- b) 22m
- c) 20m
- d) 19m
- e) 18m

**Direction (14-18): Study the following information carefully and answer the below questions. -**

**covered - Express video course 2020 - Reasoning Miscellaneous topics Mains, Input output → video no-5**

Numbers and words arrangement machine when given an input line of numbers rearranges them following a particular rule in each step. The following is an illustration of input and rearrangement.

Input: 53218 crew kept 32174 73628 mode form 82746 23684 very

Step I: 23684 crew 32174 form 53218 kept 73628 mode 82746 very

Step II: 11842 drew 16087 gorm 26609 lept 36814 node 41373 wery

Step III: 952 dsew 697 gprm 329 lfpt 544 npde 423 wfry

Step IV: 16 dsfw 22 gpsm 14 lfqt 13 npee 09 wfsy

Step V: 5 dsfx 0 gpsn 3 lfqu 2 npef 9 wfsz

Step V is the last step.

Input: Line 35422 Turn 87342 63926 Wake Sand 48524 73842 Pure

14) What is the position of “921” from the right end in step III?

- a) Second
- b) Third
- c) Fourth
- d) Fifth
- e) Sixth

15) Which of the following element is fourth from the right end in step IV?

- a) 13

- b) 12
- c) 15
- d) 14
- e) 16

16) What is the output of “48524”?

- a) 1
- b) 3
- c) 5
- d) 2
- e) 8

17) What is the sum of the numbers in Step V?

- a) 21
- b) 22
- c) 17
- d) 18
- e) 20

18) How many elements are between “521” and “Uvm” in step III?

- a) Eight
- b) Seven
- c) Six
- d) Five
- e) Four

**Direction (19-21):** In each group of questions below are three conclusions followed by five statements. You have to choose the correct set of statements that logically satisfies the given conclusion. – covered - Express video course

**2020 - Reasoning Miscellaneous topics Mains,  
Syllogism → video 3****19) Conclusion:**

- I. Some SBI is IBPS
- II. No RBI is RRB
- III. All IBPS being SBI is a possibility

**Statement:**

- I. Only a few RRB is SBI; All SBI is IBPS; Some IBPS is RBI
  - II. Some RBI is RRB; All RRB is IBPS; Only a few IBPS is SBI
  - III. Only a few IBPS is RRB; All RRB is SBI; No SBI is RBI
  - IV. No IBPS is RBI; All SBI is RBI; Only a few RRB is IBPS
  - V. Some RRB is SBI; All RRB is IBPS; No IBPS is RBI
- a) Both I and II follow
  - b) Both II and IV follows
  - c) None Follows
  - d) All Follows
  - e) Both III and V follows

**20) Conclusion:**

- I. Some Red is Green
- II. Some Black is not a Blue
- III. All Green being Red is not a possibility

**Statement:**

- I. Some Red is Blue; All Blue is Black; No Black is Green
- II. Only a few Red is Blue; All Blue is Green; Only Green is Black

- III. Only Red is Black; Some Red is Blue; No Blue is Green
- IV. Only Green is Black; All Red is Green; No Green is Blue
- V. Some Black is Blue; No Blue is Green; Only Green is Red.

- a) Both I and II follow
- b) Both II and IV follows
- c) None Follows
- d) All Follows
- e) Both III and V follows

**21) Conclusion:**

- I. All Mobile being Laptop is not a possibility
- II. Some Speaker being Laptop is a possibility
- III. Some speaker are charger

**Statement:**

- I. Only a few mobiles is Laptop; No Laptop is Charger; All Charger is Speaker
  - II. Only a few Speaker is Charger; Some Charger is Mobile; All Mobile is Laptop
  - III. No Speaker is Charger; All Charger is Mobile; No Mobile is Laptop
  - IV. No speaker is Laptop; All Laptop is Charger; No Charger is Mobile
  - V. Some Charger is Mobile; All Mobile is Laptop; No Laptop is Speaker
- a) Both I and II follow
  - b) Both II and IV follows
  - c) None Follows
  - d) All Follows
  - e) Both III and V follows

**Direction (22-25): Study the following information carefully and answer the below questions.**

The question given below can be answered using one of the statements given in the option.

**22) Six persons- A, B, C, D, E, and F are sitting at the Circular table facing the centre but not necessarily in the same order. Who among the person sits immediate right of C?**

- a) D sits second to the left of the one who sits immediate right of B. Only one person sits between B and C.
- b) A sits second to the left of B who sits immediate left of E. C and F are adjacent to each other.
- c) F sits third to the right of the one who sits second to the left of C. Only one person sits between C and A.
- d) No one sits between C and E. Only two persons are sitting between E and A. A sits adjacent to D.
- e) None of the above.

**23) Six persons- L, M, N, O, P and Q are sitting in the linear row facing the north but not necessarily in the same order. How many persons are sitting to the right of N?**

- a) L sits second to the left of the one who sits immediate right of P. Only two persons are sitting between Q and N.
- b) The number of persons sits to the left of N is the same as to the right of M who sits immediate right of O.

- c) The number of persons sitting between N and P is the same as between P and O. M sits adjacent to O.
- d) N sits third to the left of the one who sits second to the right of L. Only three persons are sitting between L and M.
- e) None of the above.

**24) Six persons- I, J, K, L, M, and N are living in the six storey building but not necessarily in the same order. The lowermost floor is numbered as one and the topmost floor is numbered as six. How many persons are living between L and M?**

- a) No one lives between N and I who lives two floors above K. The number of floors above N is the same as below I.
- b) M lives two floors below N who lives three floors above K. J lives immediately above L who lives above N.
- c) The number of persons who live above J is the same as below K who lives two floors below I. L lives above M.
- d) Only three floors above between J and M. N lives below J. I live above K. Only one floor between L and I.
- e) None of the above.

**25) Six persons- P, Q, R, S, T, and U are born in different months- January, April, May, June, July, and November in the same year but not necessarily in the same order. How many persons are born before P?**

- a) The one who is born two persons before P is born immediately before S. Only two persons are born between S and T.
- b) Q is born three months before S. The number of persons born between Q and S is the same as between R and T who was born after P.
- c) The number of persons born before P is the same as after U who is born two persons before R.
- d) P is born in a month having an odd number of days, two persons before T. Only two persons are born between T and S who is born before P.
- e) None of the above.

**Direction (26-30): Study the following information carefully and answer the below questions—  
covered - SBI PO Mains set- 8 Q(41-43) dice based (single variable), IBPS PO Mains Set -10 Q (31-34) (two variable)**

Twelve persons- O, P, Q, R, S, T, U, V, W, X, Y, and Z are sitting in two parallel rows. Each row contains six persons are facing each other. The persons who are sitting in row 1 faces south and those who are sitting in row 2 facing north but not necessarily in the same order. They are having a different number of chocolates.

**Note: The persons who are sitting in row-1 having an even number of chocolates and those who are sitting in row-2 having an odd number of chocolates.**

Only three persons are sitting between R and the one who has 15 chocolates who sits to the right of R. S sits opposite to the one who sits

immediate left of the one who has 15 chocolates. X sits second to the right of the one who sits adjacent to the person having 11 chocolates. P and X are sitting diagonally opposite to each other. P has only one neighbor who has 10 chocolates. The number of persons is sitting between R and X is the same as between the one who has 22 chocolates and the one who has 4 chocolates. The one who has 22 chocolates sits immediate right of T. T does not sit adjacent to S. O sits opposite to the one who sits immediate left of Z who sits third to the right of R. S sits adjacent to O. W sits immediate left of Q who has an odd number of chocolates. Y has 6 chocolates, does not sit at end of the row. S has the chocolates twice that of V who has an even number of chocolates. Z has one chocolate more than S. The difference between the number of chocolates of P and T is equal to the number of chocolates of O. W has ten chocolates more than Z and two chocolates less than R. None of them has the same number of chocolates. X has the prime number of chocolates more than U but less than R.

**Conditions:**

They are playing the dice game. Two persons are rolling the dice at the same time.

I) If two persons are getting an even number, then their chocolate will be added to the person who sits second to the left of them.

II) If two persons are getting an odd number, then their chocolates will be subtracted from the person who sits immediate right from them



III) If one person gets an even number and another one gets an odd number then their chocolates will be twice.

26) The person who sits second to the right of Q and third to the left of O are rolling the dice, One of them gets number 5 and another one gets the number which is equal to the number of chocolate of V. Then how many chocolates does the person have who sits third to the left of O?

- a) 30
- b) 10
- c) 8
- d) 22
- e) 24

27) If the persons who are sitting in the right corner of each row are rolling the dice, they get an even number. Then what is the sum of the chocolate of the persons who sits second to the left of each of them?

- a) 80
- b) 60
- c) 75
- d) 65
- e) 70

28) What is the sum of the chocolate of O, S, Q, and W?

- a) 55
- b) 32
- c) 50
- d) 35
- e) 40

29) If the persons who are sitting second from the left end of each row are rolling the dice, both are getting an odd number, then what is the difference between chocolate of the person who sits immediate right of each of them?

- a) 7
- b) 6
- c) 8
- d) 9
- e) 5

30) Who among the following person sits second to the right of the one who sits opposite to the person who has twice of the chocolates of Y?

- a) The one who sits immediate left of W
- b) The one who has 19 chocolates
- c) The one who has 17 chocolates
- d) The one who has 15 chocolates
- e) The one who sits second to the right of R

**Direction (31-35): Study the following information carefully and answer the below questions **Not covered (will give in upcoming test)****

Ten persons- Aahana, Tejas, Sophia, Omar, Indhu, Elena, Ruby, Balan, Pravin, and Fazil are standing in two staircases viz., Staircase-1 and Staircase-2. Each staircase has five steps viz., the lowermost step is numbered as one and the topmost step is numbered as five. Staircase-1 is to the west of Staircase-2. All the information is not necessarily in the same order.

**Note:** If the person's name is starting with a vowel, they are standing at an even number position and if the person's name count is even, they are standing at an odd number staircase.

Pravin is standing above the step of the one who stands immediately below Fazil. Only one person stands between the one who stands immediately above Indhu and immediately above Elena. The number of steps above Fazil is the same as below Sophia. The number of persons standing between Indhu and Ruby is the same as between Sophia and Elena. Balan stands above the one who stands immediately below Elena. Aahana does not stand below the one who stands immediately above Balan.

**31) How many persons are standing above Balan?**

- a) Four
- b) Six
- c) Eight
- d) Two
- e) None

**32) Who among the following person stands immediately below Elena?**

- a) Fazil
- b) The one who stands on the same step as Pravin
- c) The one who stands on the same step as Sophia
- d) Balan
- e) Ruby

**33) Who among the following person stands on the same step as Pravin?**

- a) Tejas
- b) The one who stands immediately above Indhu
- c) The one who stand three steps above Aahana
- d) The one who stands two steps below Balan
- e) Sophia

**34) Four of the following are alike in a certain way. Which of the following one does not belong to the group?**

- a) Fazil
- b) The one who stands east of Aahana
- c) The one who stands north of Balan
- d) The one who stands south of Omar
- e) Tejas

**35) Which of the following statement is/are true?**

**I. Indhu and Elena stands at the different staircase**

**II. Tejas stands one of the steps above Pravin**

**III. Omar stands below Ruby**

- a) Both I and III
- b) Only III
- c) Both I and II
- d) Only II
- e) All I, II, and III

**Direction (36-39): Study the following information carefully and answer the below questions- covered - SBI PO Mains Set-5- Q (18-20)**

There is a 5x5 matrix which can help to measure the weight of the person using the different color

of cards. The row of the matrix is denoted by 1 to 5 from top to bottom then the column of the matrix is denoted as @, #, \$, & and? , from left to right.

Row 1 contains numbers that are consecutive prime numbers Starting from “7”.

Row 2 contains numbers which are consecutive cube value starting from “1”

Row 3 contains a number which is consecutive multiple values of 12 starting from 24.

Row 4 contains numbers which are consecutive square value starting from the square of “4”

Row 5 contains a number which is consecutive multiple values of 11 starting from 33.

The matrix helps in producing signals which is a string of numbers. There are five different color cards. Based on the outcome of the string the color card will be come out.

**Condition:**

I) If the weight of the person is below 30, the red card is come out from the machine

II) If the weight of the person is 31-60, the blue card is come out from the machine

III) If the weight of the person is 61-90, the green card is come out from the machine

IV) If the weight of the person is More than 91, the White card is come out from the machine

**For Outcome of the String:**

A) If the even number is followed by Prime number then multiply both tenth places of number.

B) If the odd number is followed by a square value then subtract both the numbers(ignore negativity)

C) If Even number is followed by square value then add both the number

D) If an odd number(except 3) is followed by a cube value then multiply both the numbers unit digit.

E) If an even number is followed by cube value then all the digits within the number to be added then add both the numbers.

**36) What is the outcome of the following string?**

**3#1&4?**

- a) 64
- b) 61
- c) 60
- d) 63
- e) None of these

**37) Which of the following color card will be an outcome of the following string?**

**3&4#2?**

- a) White
- b) Red
- c) Blue
- d) Green
- e) None of these

**38) If the Blue color is an outcome of the string, then fill the following condition?**

**2#4\$ \_\_**

- a) 1@
- b) 5&

- c) 1#
- d) 4@
- e) None of these

**39) What will be the resultant of the sum of both the strings?**

I. 1@2\$2#

II. 3@1\$2?

- a) 82
- b) 52
- c) 55
- d) 58
- e) None of these

**Direction (40-44): Study the following information carefully and answer the below questions**

**covered - RRB PO Mains set 7 - Q (9-13)**

Three married couples- A, B, C, D, E, and F are sitting at the circular table facing the centre but not necessarily in the same order. They are of different age persons. The couples are not sitting together.

D sits second to the left of the one who sits opposite to a person whose age is 40. Only one person sits between D and the one whose age is 32. E sits immediate right of the one who is the wife of A. E is a female member who sits opposite to the one who sits second to the left of the one whose age is 32. F sits immediate right of the one who sits second to the right of A. The husband's age is more than the wife's age. F is not a spouse of C. There is five years age difference between B and B's wife. C does not sit

adjacent to A's spouse. A's age is twice that of E's age. C's spouse's age is 29. There are 10 years age difference between C and B. No one's age is more than fifty.

**40) What is the age of D's spouse (in years)?**

- a) 35
- b) 29
- c) 20
- d) 40
- e) None of the above

**41) Who among the following person sits opposite to B?**

- a) A
- b) The one who sits immediate left of D
- c) D's spouse
- d) The one whose age is 40
- e) The one who sits second to the right of A

**42) What is the sum of the age of D and A's spouse?**

- a) 65
- b) 61
- c) 70
- d) 73
- e) 75

**43) Four of the following are alike in a certain way. Which of the following one does not belong to the group?**

- a) C
- b) A
- c) The one who sits immediate right of C

- d) The one who sits second to the right of B
- e) The one who sits immediate left of D

44) Which of the following statement is/are true?

- I. A's age is 40
- II. B is the spouse of E

III. Only one person sits between D and F when counted to the right of D.

- a) Both I and III
- b) Only III
- c) Both I and II
- d) Only II
- e) All I, II, and III

### Answer with Detail Explanation

Direction (1-5):

Final arrangement

Year	Person(Age)
1970	T(50)
1972	Q(48)
1981	S(39)
1993	P(27)
2000	W(20)
2002	R (18)
2005	V(15)
2013	U(07)

**Common Explanation**

We have,

- W was born in 2000.
- Only three persons are born between W and T.
- The age of T is the last two digits of the birth year of V.
- The difference between the age of V and W is five years.
- V is born two persons after the one whose age is 20 years.

From the above condition, there are two possibilities.

Case-1		Case-2	
Year	Person(Age)	Year	Person(Age)
1970	T(50)	2000	W(20)
		2005	V(15)
2000	W(20)	2015	T(05)
2005	V(15)		

Again we have,

- Q is born two persons before the one who is born immediately after S.
- Only two persons are born between S and the one whose age is 18 years old.
- The sum of the age of W and R is one less than the age of S.
- The last two digits of the birth year of a person who is born adjacent to Q is equal

to the age of the person who is born immediately after W.

- None of the persons were born before 1970 and after 2015.

Case-1		Case-2	
Year	Person(Age)	Year	Person(Age)
1970	T(50)		Q
	Q	1981	S(39)
1981	S(39)		
		2000	W(20)
2000	W(20)	2002	R(18)
2002	R (18)	2005	V(15)
2005	V(15)		
		2015	T(05)

Again we have,

- The age difference between R and the one whose age is 20 is the same as between Q and the one who is born adjacent to Q.
- The age difference between V and U is one less than the age difference between Q and S.

From the above condition, there are three possibilities.

Case-1		Case-2		Case-1a	
Year	Person(Age)	Year	Person(Age)	Year	Person(Age)
1970	T(50)	1983	Q(37)	1970	T(50)
1972	Q(48)	1981	S(39)	1983	Q(37)
1981	S(39)			1981	S(39)
		2000	W(20)		
2000	W(20)	2002	R(18)	2000	W(20)
2002	R (18)	2005	V(15)	2002	R (18)
2005	V(15)	2006	U(14)	2005	V(15)
2013	U(07)	2015	T(05)	2006	U(14)

Again we have,

- The number of persons born between P and R is the same as between S and T.
- The age of P is equal to the last two digits of the birth year of the person who was born two persons before P.
- All persons ages are equal to the last two digits of the birth year of some other persons except V and Q.

From the above condition, case2 and cas1a get eliminated. case1 shows the final arrangement.

Case-1		<del>Case-2</del>		<del>Case-1a</del>	
Year	Person(Age)	Year	Person(Age)	Year	Person(Age)
1970	T(50)	1983	Q(37)	1970	T(50)
1972	Q(48)	1981	S(39)	1983	Q(37)
1981	S(39)		P	1981	S(39)
1993	P(27)	2000	W(20)	1982	P(38)
2000	W(20)	2002	R(18)	2000	W(20)
2002	R (18)	2005	V(15)	2002	R (18)
2005	V(15)	2006	U(14)	2005	V(15)
2013	U(07)	2015	T(05)	2006	U(14)

1) Answer: B



- 2) Answer: B
- 3) Answer: D
- 4) Answer: A
- 5) Answer: B

**Direction (6-10):**

**Final Arrangement**

Box	Color
C	Red
E	Yellow
A	Pink
G	Green
H	Orange
B	Black
F	Blue
D	White

**Common Explanation**

We have,

- Only two boxes are kept between Box H and White color box.
- Box G is adjacent to Box H.
- Only one box is kept between G and the yellow color box.
- The yellow box is kept on three shelves above the box which is kept immediately below Green box.

From the above condition, there are four possibilities.

Case-1		Case-2		Case-3		Case-2a	
Box	Color	Box	Color	Box	Color	Box	Color
	Yellow		White		Yellow		White
H							
G	Green	G		G	Green		Yellow
		H		H		H	
	White		Yellow			G	Green
			Green		White		

Again we have,

- The black box is kept immediately above the Blue box.
- H is neither Black color nor Blue color.
- The number of boxes that are kept above White is the same as below Red box.
- The red box has only one adjacent box.
- The black box has kept immediately below the box which is kept three shelves above Box H.

Case-1		Case-2		Case-3		Case-2a	
Box	Color	Box	Color	Box	Color	Box	Color
	Red		White		Red		White
	Black	A	Black		Yellow	A	
A	Blue	G	Blue	A			Yellow
	Yellow	H		G	Green	H	
H			Yellow	H		G	Green
G	Green				Black		Black
			Green		Blue		Blue
	White		Red		White		Red

Again we have,

- The number of the boxes is kept above A is one less than below the Orange color box.

From the above condition, case2a gets eliminated.

Case1		Case2		Case3		<del>Case2a</del>	
Box	Color	Box	Color	Box	Color	Box	Color
	Red		White		Red		White
	Black	A	Black		Yellow	A	
A	Blue	G	Blue	A	Pink		Yellow
	Yellow	H	Pink	G	Green	H	
H	Orange		Yellow	H	Orange	G	Green
G	Green		Orange		Black		Black
	Pink		Green		Blue		Blue
	White		Red		White		Red

Again we have,

- The number of boxes is kept between Pink and Blue colored box is the same as between E and B.
- The box which is kept immediately above the Pink box is adjacent to Box C.

From the above condition, case2 gets eliminated.

Case1		<del>Case2</del>		Case3	
Box	Color	Box	Color	Box	Color
	Red	E/B	White	C	Red
	Black	A	Black	E/B	Yellow
A	Blue	G	Blue	A	Pink
E/B	Yellow	H	Pink	G	Green
H	Orange	E/B	Yellow	H	Orange
G	Green		Orange	E/B	Black
C	Pink		Green		Blue
E/B	White		Red		White

Again we have,

- The number of boxes kept between E and Green box is the same as between B and White box.
- Box D is kept below Box F.

From the above condition, case1 gets eliminated.

Case3 shows the final arrangement.

<del>Case-1</del>		Case-3	
Box	Color	Box	Color
	Red	C	Red
	Black	E	Yellow
A	Blue	A	Pink
E/B	Yellow	G	Green
H	Orange	H	Orange
G	Green	B	Black
C	Pink	F	Blue
E/B	White	D	White

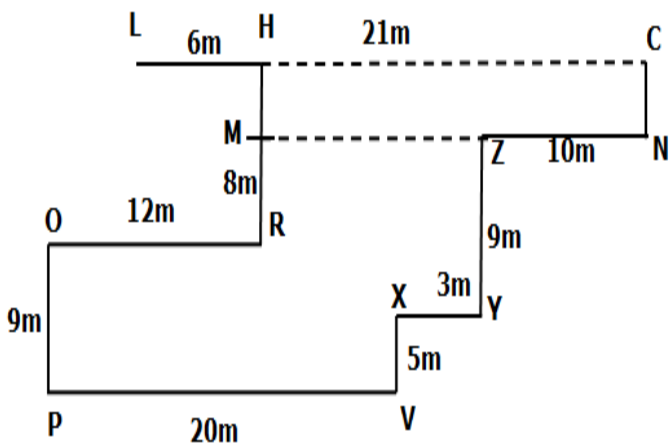
6) Answer: D

- 7) Answer: B
- 8) Answer: E
- 9) Answer: B
- 10) Answer: E

**Direction (11-13):**

A@B(14m) → A is 10m north of B →  $14 - 4 = 10$   
 A#B(15m) → A is 19m south of B →  $15 + 4 = 19$   
 A\$B(10m) → A is 7m east of B →  $10 - 3 = 7$   
 A%B(12m) → A is 14m west of B →  $12 + 2 = 14$   
 From the above condition, we have subtracted -4, -3 from the new sequence of questions and we have added 4, 3 to the new sequence of the question.

- 11) Answer: B
- 12) Answer: C
- 13) Answer: A



**Direction (14-18):**

**Logic:**

**Step1:** The numbers are arranged in ascending order from the left end and Words are arranged

in alphabetical order from the left end alternatively starting with the number.

**Step2:** The numbers are divided by two and the first letter of all the words from the left end is changed to the next successive letter in alphabetical order.

**Step3:** In number, the first and the fourth digit from the left end is added (if it is two-digit added within digit) then placed at middle and second and third digit from the left end is added and placed at first and the fifth number remains same. For Ex: 17711 → (1+1=2) → 7+7=14 → 1+4=5 → 521

the second letter in the words from the left end is changed to the next successive letter in alphabetical order.

**Step4:** In number, all numbers are added and the third letter in a word from the left end is changed to the next successive letter in alphabetical order.

**Step5:** The difference between the first and second digit and the fourth letter from the left end is changed to the next successive letter in alphabetical order.

**Input:** Line 35422 Turn 87342 63926 Wake Sand 48524 73842 Pure

Step I: 35422 Line 48524 Pure 63926 Sand 73842 Turn 87342 Wake

Step II: 17711 Mine 24262 Qure 31963 Tand 36921 Uurn43671 xake

Step III: 521 mjne 682 qvre 193 Tbnnd 651 Uvrn 921 xbke

Step IV: 08 mjoe 16 qvse 13 Tbod 12 Uvsn 12 xble

Step V: 8 mjof 5 qvsf 2 tboe 1 uvso 1 xblf

14) Answer: A

15) Answer: B

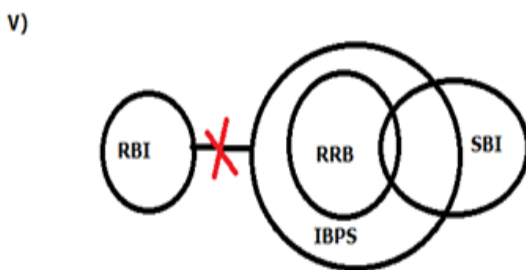
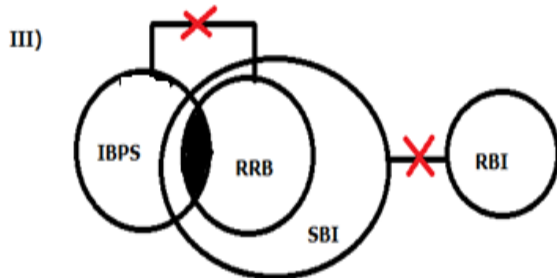
16) Answer: C

17) Answer: C

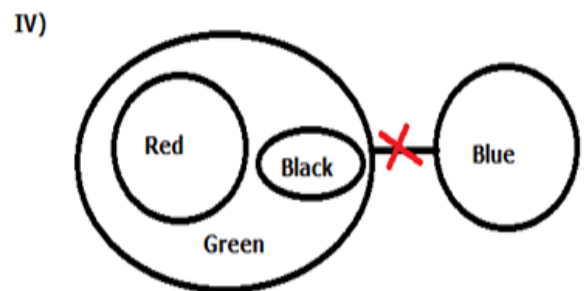
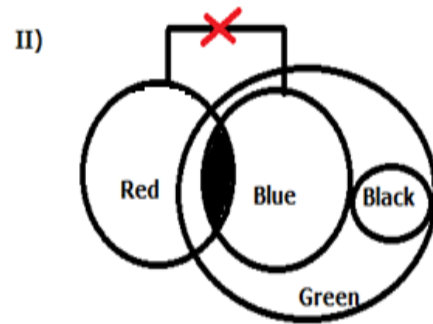
18) Answer: C

Direction (19-21):

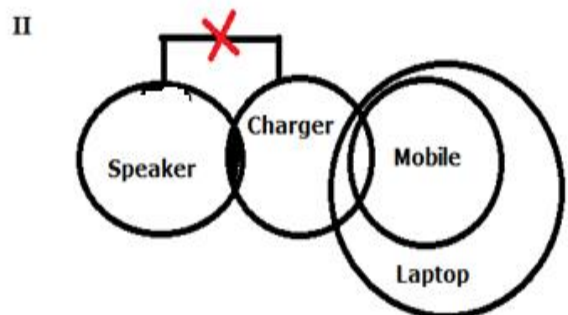
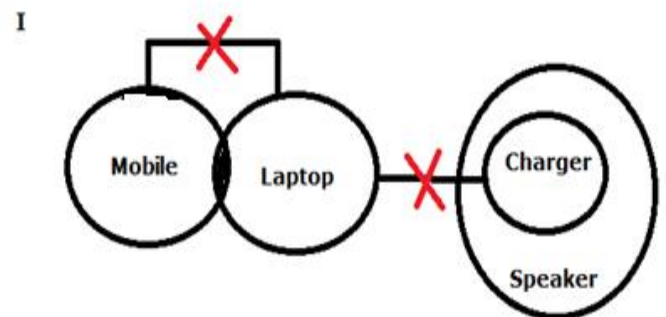
19) Answer: E



20) Answer: B

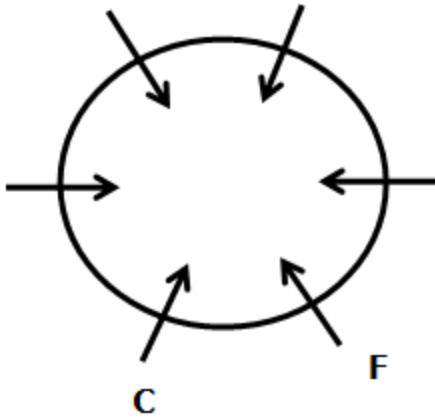


21) Answer: A



Direction (22-25):

22) Answer: C



23) Answer: D



24) Answer: B

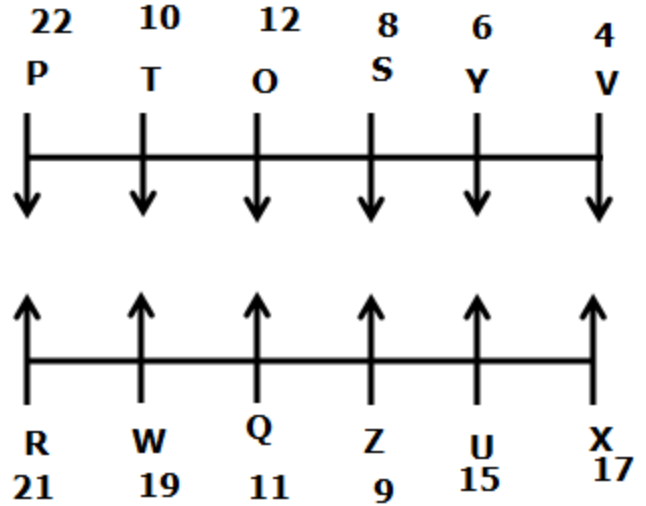
Floors	Persons
6	J
5	L
4	N
3	I
2	M
1	K

25) Answer: D

Months	Persons
January	
April	S
May	P
June	
July	T
November	

Direction (26-30):

Final Arrangement

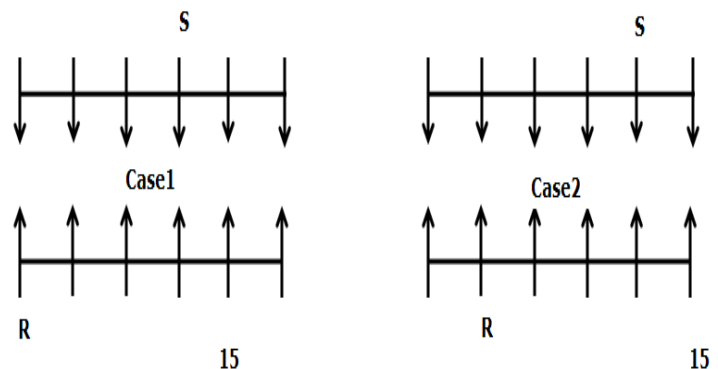


Common Explanation

We have,

- Only three persons are sitting between R and one who has 15 chocolates who sits to the right of R.
- S sits opposite to the one who sits immediate left of the one who has 15 chocolates.

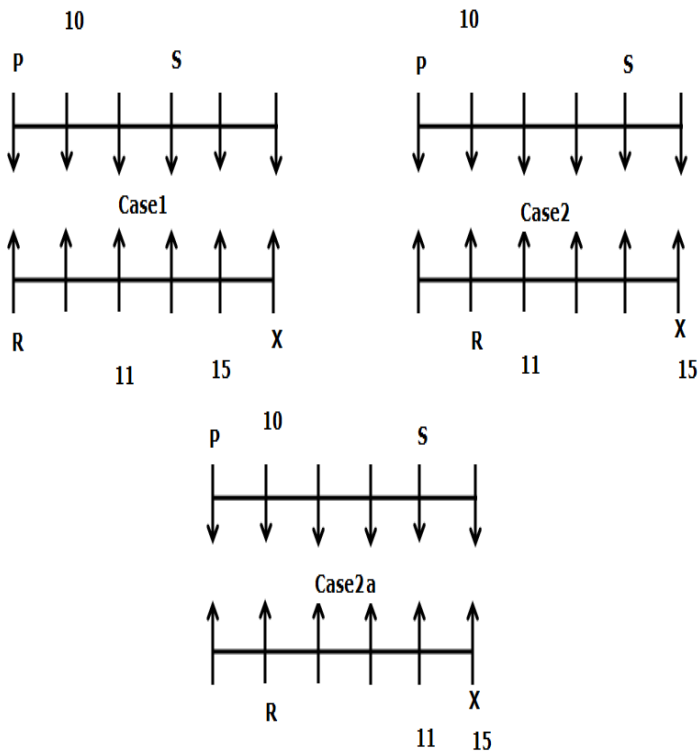
From the above condition, there are two possibilities.



Again we have,

- X sits second to the right of the one who sits adjacent to the person having 11 chocolates.
- P and X are sitting diagonally opposite to each other.
- P has only one neighbor who has 10 chocolates.

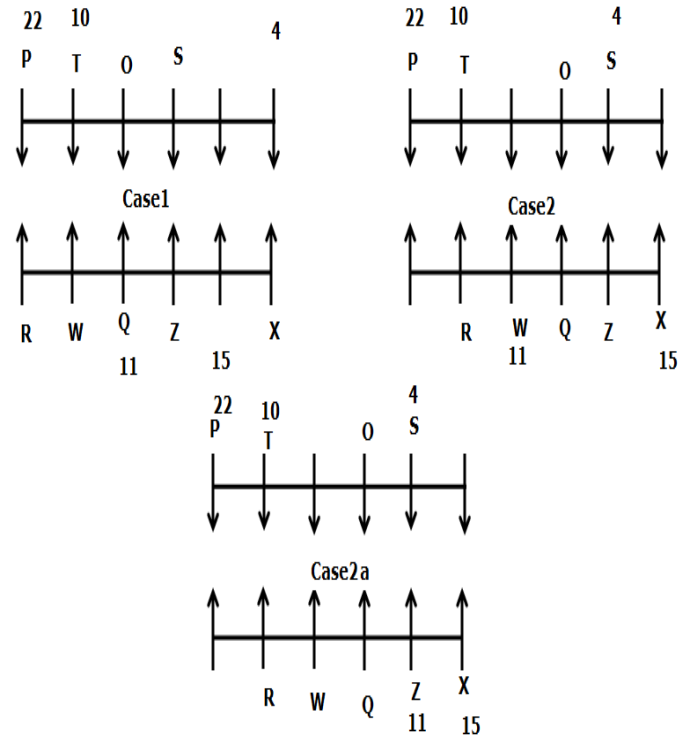
From the above condition, there are three possibilities.



Again we have,

- The number of persons sitting between R and X is the same as between the one who has 22 chocolates and the one who has 4 chocolates.
- The one who has 22 chocolates sits immediate right of T.
- T does not sit adjacent to S.
- O sits opposite to the one who immediate left of Z who sits third to the right of R.

- S sits adjacent to O.
- W sits immediate left of Q who has an odd number of chocolates.

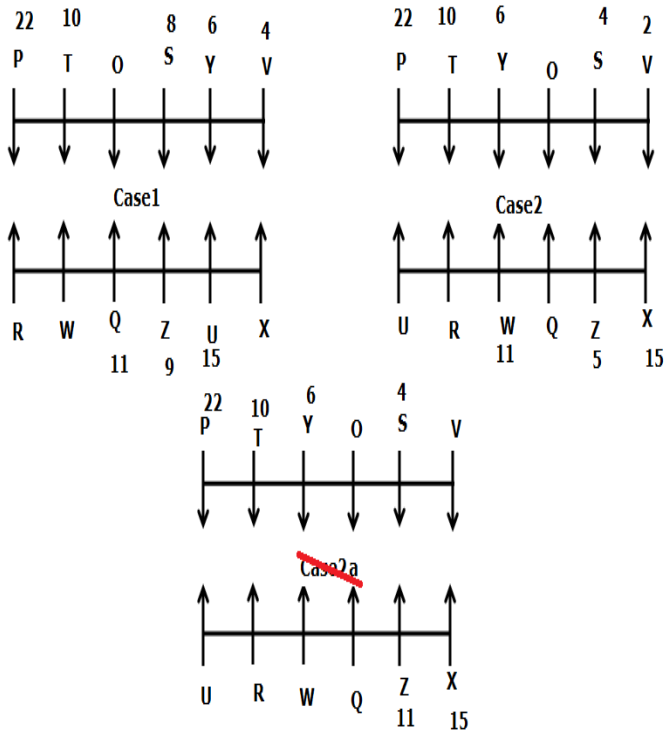


Again we have

- Y has 6 chocolates, does not sit at end of the row.
- S has the chocolates twice that of V who has an even number of chocolates.
- Z has one chocolate more than S.

From the above condition, case2a gets eliminated.



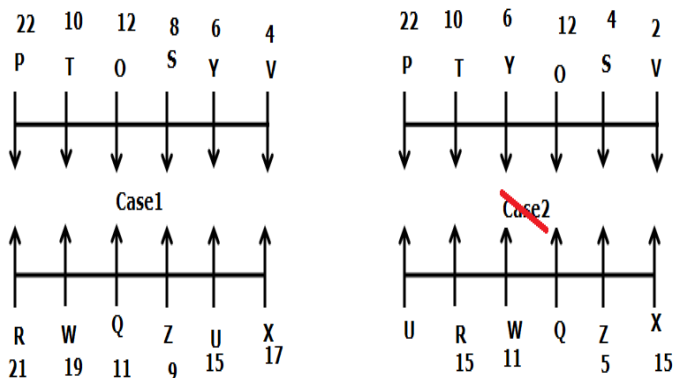


Again we have,

- The difference between the number of chocolate of P and T is equal to the number of chocolates of O.
- W has ten chocolates more than Z and two chocolates less than R.
- X has a prime number of chocolates more than U but less than R.
- None of them has the same number of chocolates.

From the above condition, case2 gets eliminated.

Case1 shows the final arrangement.



26) Answer: C

Condition III applied, the Number of chocolates is increased twice.

27) Answer: B

The condition I applied, number of chocolates added to the person who sits second to the left of them

28) Answer: C

29) Answer: B

Condition II applied, number of chocolates subtracted from the person who sits immediate right of them

30) Answer: D

Direction (31-35):

Final Arrangement

Steps	Stair-1	Stair-2
5	Pravin	Fazil
4	Aahana	Indhu
3	Ruby	Balan
2	Omar	Elena
1	Sophia	Tejas

We have,

- Pravin is standing above the step of the one who stands immediately below Fazil.
- Only one person stands between the one who stands immediately above Indhu and immediately above Elena.

From the above condition, there are three possibilities.

	Case-1		Case-2		Case-3	
Steps	Stair-1	Stair-2	Stair-1	Stair-2	Stair-1	Stair-2
5	Pravin	Fazil	Pravin			
4		Indhu/Elena		Indhu/Elena		Indhu/Elena
3				Fazil	Pravin	Fazil
2		Indhu/Elena		Indhu/Elena		Indhu/Elena
1						

Again we have,

- The number of steps above Fazil is the same as below Sophia.

From the above condition, case3 gets eliminated.

	Case-1		Case-2		<del>Case-3</del>	
Steps	Stair-1	Stair-2	Stair-1	Stair-2	Stair-1	Stair-2
5	Pravin	Fazil	Pravin			
4		Indhu/Elena		Indhu/Elena		Indhu/Elena
3			Sophia	Fazil	Pravin	Fazil
2		Indhu/Elena		Indhu/Elena		Indhu/Elena
1	Sophia					

Again we have,

- The number of persons standing between Indhu and Ruby is the same as between Sophia and Elena.
- Balan stands above the one who stands immediately below Elena.

	Case-1		Case-2	
Steps	Stair-1	Stair-2	Stair-1	Stair-2
5	Pravin	Fazil	Pravin	Balan
4		Indhu		Elena
3	Ruby	Balan	Sophia	Fazil
2		Elena		Indhu
1	Sophia	Tejas	Ruby	Tejas

Again we have,

- Aahana does not stand below the one who stands immediately above Balan.

From the above condition, case2 gets eliminated. case1 shows the final arrangement.

	Case-1		<del>Case-2</del>	
Steps	Stair-1	Stair-2	Stair-1	Stair-2
5	Pravin	Fazil	Pravin	Balan
4	Aahana	Indhu		Elena
3	Ruby	Balan	Sophia	Fazil
2	Omar	Elena		Indhu
1	Sophia	Tejas	Ruby	Tejas

31) Answer: A

32) Answer: C

33) Answer: B

34) Answer: D

35) Answer: B

Direction (36-39):

36) Answer: B

	@	#	\$	&	?
1	7	11	13	17	19
2	1	8	27	64	125
3	24	36	48	60	72
4	16	25	36	49	64
5	33	44	55	66	77

36 followed by 17

Condition A applied  $\rightarrow 3 \times 1 = 3$

3 is followed by 64

Condition B applied  $\rightarrow 61$

Condition III follows green card will be come out of a machine

**37) Answer: B**

	@	#	\$	&	?
1	7	11	13	17	19
2	1	8	27	64	125
3	24	36	48	60	72
4	16	25	36	49	64
5	33	44	55	66	77

60 is followed by 25

Condition C applied

$60 + 25 = 85$

85 followed by 125

Condition D applied

$5 \times 5 = 25$

The condition I follow red card will come out

**38) Answer: D**

	@	#	\$	&	?
1	7	11	13	17	19
2	1	8	27	64	125
3	24	36	48	60	72
4	16	25	36	49	64
5	33	44	55	66	77

8 is followed by 36, condition C follows

$8 + 36 = 44$

Blue card come out means outcome is 31-60

we have to check the result one by one in each option.

if 44 is followed by 16  $\rightarrow$  condition C follows

$44 + 16 = 60$

Condition II follows Blue card will come out

**39) Answer: A**

	@	#	\$	&	?
1	7	11	13	17	19
2	1	8	27	64	125
3	24	36	48	60	72
4	16	25	36	49	64
5	33	44	55	66	77

I.  $1 @ 2 \$ 2 \#$

7 is followed by 27, condition D follows

$7 \times 7 = 49$  49 is followed by 8, condition D follows

$9 \times 8 = 72$

II.  $3 @ 1 \$ 2 ?$

24 is followed by 13 conditions A follows

$2 \times 1 = 2$

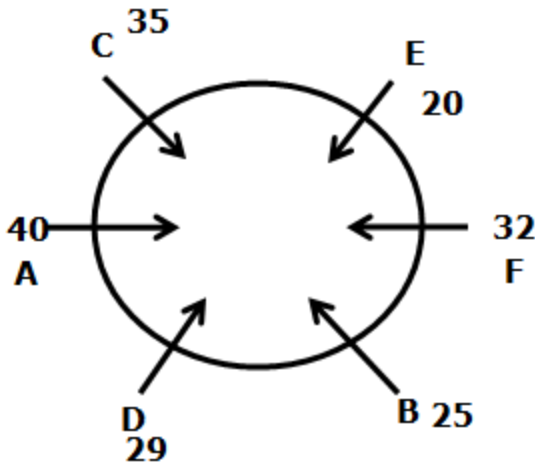
2 is followed by 125 condition E follows

$2 + 8(1 + 2 + 5) = 10$

72+10=82

Direction (40-44):

Final Arrangement



**A(+)**  $\equiv$  **F(-)**

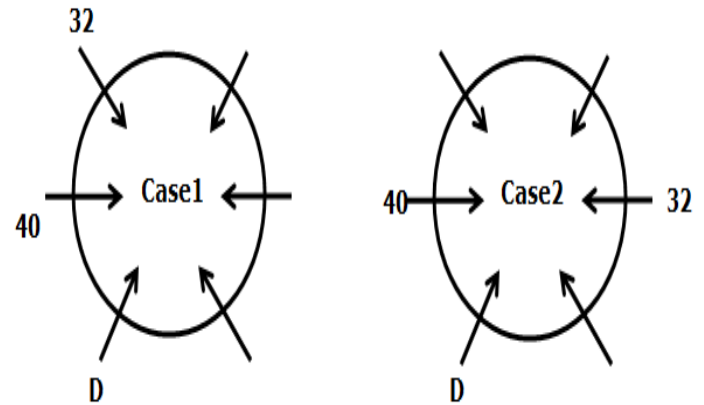
**E(-)**  $\equiv$  **B(+)**

**C(+)**  $\equiv$  **D(-)**

We have,

- D sits second to the left of the one who sits opposite to a person whose age is 40.
- Only one person sits between D and the one whose age is 32.

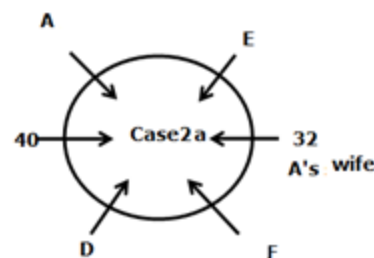
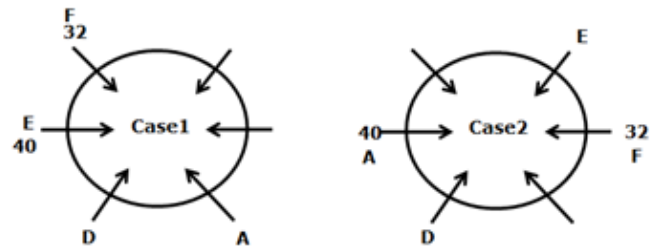
From the above condition, there are two possibilities.



Again we have,

- E sits immediate right of the one who is the wife of A.
- E is a female member who sits opposite to the one who sits second to the left of the one whose age is 32.
- F sits immediate right of the one who sits second to the right of A.

From the above condition, there are three possibilities.

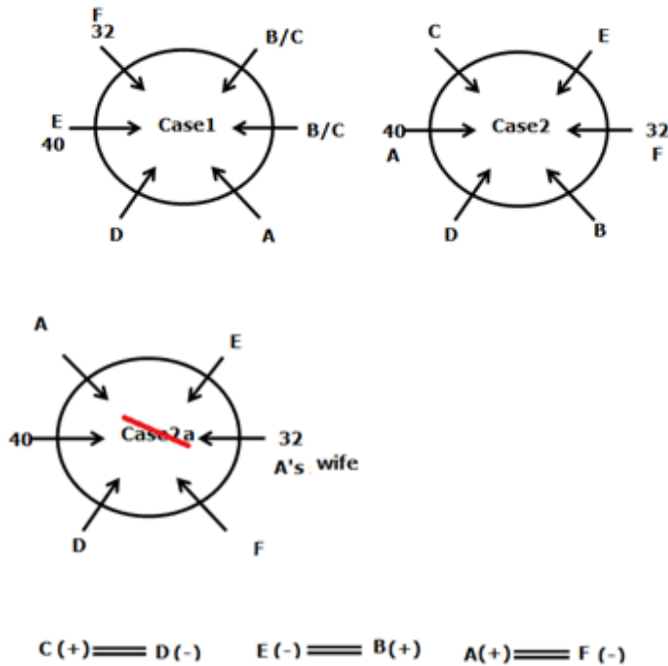


**(+)**  $\equiv$  **(-)**    **E(-)**  $\equiv$  **(+)**    **A(+)**  $\equiv$  **(-)**

Again we have,

- The husband's age is more than the wife's age.
- F is not a spouse of C.

From the above condition, case2a gets eliminated.

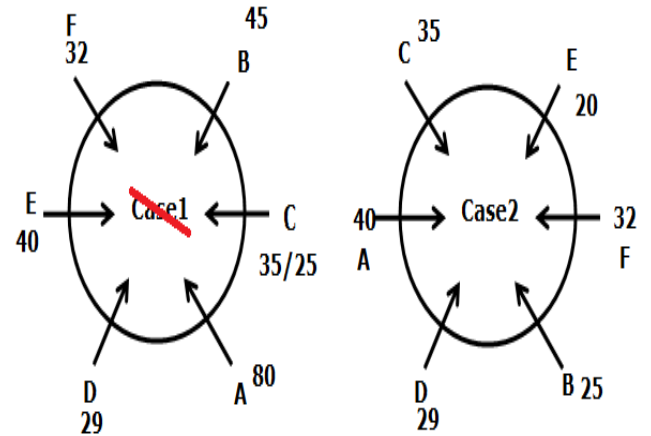


Again we have,

- There is five years age difference between B and B's wife.
- C does not sit adjacent to A's spouse.
- A's age is twice that of E's age.
- C's spouse's age is 29.
- There are 10 years age difference between C and B.

- No one's age is more than fifty.

From the above condition, case1 gets eliminated. Case2 shows the final arrangement.



$C(+) == D(-)$     $E(-) == B(+)$     $A(+) == F(-)$

- 40) Answer: A
- 41) Answer: C
- 42) Answer: B
- 43) Answer: D
- 44) Answer: E

**RRB PO MAINS MEMORY BASED QUESTION**

HELD on Jan 30<sup>th</sup> 2021

Direction (1-5): Study the following information carefully and answer the below questions- covered - RRB PO Mains Set-9-Q (25-29),

Eight persons- A, B, C, D, E, F, G, and H are sitting at the circular table facing the centre but not necessarily in the same order. They all have

different ages and the age of all the persons is less than 50.

G sits third to the right of the one who sits immediate left of the one whose age is 36. Two persons are sitting between G and F. D sits adjacent to the one who sits second to the right of A. A sits immediate left of F. The one whose age is 20 sits opposite to the one who sits second to the left of E. Neither F nor G is 20 years old. H sits third to the left of the one whose age is 15 years. Neither E nor A is 15 years old. B sits second to the left of C. The age of D is twice the age of the one who sits immediate right of G. The age difference between E and D is the same as between D and A. The age of G is five years more than the one who sits immediate left of G. The age of F is one year less than the one who sits immediate right of H. One of the persons sitting at the table is 22 years old.

**1) Which of the following combination is true?**

- a) F-36
- b) E-15
- c) D-30
- d) C-20
- e) B-22

**2) How many persons are sitting between D and E?**

- a) One
- b) Two
- c) Three
- d) Four
- e) Either b or d

**3) Who among the following person sits opposite to the one whose age is 29?**

- a) The one who sits second to the left of D
- b) C
- c) A
- d) The one whose age is 35
- e) The one whose age is 15

**4) If G is related to 30 and A is related to 22 in a certain way. Then who among the following is related to 15?**

- a) E
- b) The one who sits opposite to F
- c) C
- d) The one who sits third to the left of D
- e) None of the above

**5) Four of the following five are alike in a certain way thus forms a group. Find the one which does not belong to the group?**

- a) E
- b) The one who sits second to the right of C
- c) The one who sits immediate right of H
- d) The one who sits immediate left of D
- e) A

**Direction (6-8): Study the following information carefully and answer the below questions.**

**(Covered in maximum mock test)**

Six persons- L, M, N, O, P, and Q have different heights. Only one person is between the one whose height is 159 cm and L. The height of P is



156 cm. M is taller than L. The number of people between N and L is the same as between L and Q. The number of persons who are taller than N is the same as shorter than P. The height of L is 10cm more than Q whose height is 3cm more than P. No one height is more than 181cm.

**6) What may be the height of M, if the height of N is divisible by five?**

- a) 175 cm
- b) 172 cm
- c) 176 cm
- d) 177 cm
- e) None of the above.

**7) How many persons are taller than L?**

- a) One
- b) Two
- c) Three
- d) Four
- e) None

**8) What is the average height of N, P, and Q?**

**(Consider Question 6)**

- a) 163cm
- b) 151cm
- c) 161.22cm
- d) 163.33cm
- e) None of the above

**Direction (9-11): Answer the questions based on the information given below. - Covered - IBPS PO Mains Set-7-Q (41-42), IBPSPO Mains Set-6- Q (40-41)**

Certain persons are sitting in a straight line and all of them are facing towards north. Not more than 23 persons are there in the row. D sits fourth from the right end and is fifth to the right of E. Only two persons sit between E and I. J sits sixth to the left of I and is second to the right of F. The number of persons between I and E is one less than the number of persons between H and F. K sits third to the left of H and the number of persons to the left of K is one less than the number of persons to the right of G who doesn't sit adjacent to D.

**9) How many persons are there in the row?**

- a) 23
- b) 22
- c) 20
- d) 21
- e) 19

**10) Who among the following person sits second to the left of D?**

- a) G
- b) E
- c) I
- d) J
- e) Unknown

**11) How many persons are there between H and E?**

- a) Six
- b) Eight
- c) Ten
- d) Four
- e) None

**Direction (12-14) :** Study the following information carefully and answer the below questions -

**covered - IBPS PO Mains Set 10- Q (14-16)**

A family consists of nine members and two married couples. P is the sister-in-law of the one who is the daughter of F. N is the father-in-law of the one who is the brother of L. U is the only daughter of S. T's mother is the daughter-in-law of H. G is the daughter of H's spouse. G and L are siblings both are of the same gender but not the same gender of N. F is the mother of L and grandmother of S's kid. T is the kid of N's only daughter.

**12) Who among the following is the grandmother of T?**

- a) G
- b) The one who is the mother-in-law of P
- c) H
- d) The one who is Spouse of F
- e) N

**13) Find the odd one out?**

- a) The one who is the spouse of F
- b) The one who is the spouse of P
- c) The one who is the son-in-law of N
- d) T
- e) The one who is the sibling of S

**14) How T is related to G?**

- a) Brother
- b) Niece
- c) Nephew

- d) Sister
- e) Son

**Direction (15-19):** Study the following information carefully and answer the below questions. -

**covered - RRB PO Mains Set 5- Q(1-5)**

Seven persons namely – Apurva, Pihu, Bittu, Moni, Rajat, Sinku, and Sanju were born in different years viz.- 1966, 1971, 1970, 1979, 1983, 1985, and 1988. Each person likes to drink different things viz.- Frooti, Thumbs-Up, Coffee, Pepsi, Tea, Coca-Cola, and Sprite. All the above information is not necessarily in the same order. The age of each person is calculated from the base year 2020.

At least one person was born between the one who likes Coffee and Pihu, who neither likes Frooti nor Sprite. The age of the person who likes Coffee is a multiple of 7 and was born after Pihu, whose age is an even number. Two persons were born between Pihu and Apurva, who like Coca-Cola. Sanju neither likes Coffee nor Thumbs-up but was born after Apurva. The number of persons born after Sanju is the same as the number of persons born before the one who likes Frooti. The number of persons born between Rajat and the one who likes Coca-Cola is one more than the number of persons born between Bittu and the one who likes Sprite. Rajat does not like Sprite. Rajat was born in a leap year but neither likes Frooti nor born before Bittu. At least two persons were born between Sinku and the one who likes Thumps-Up. Sinku was

born before the one who likes Sprite. The number of persons born between Moni and the one who likes Tea is two less than Apurva and the one who likes Pepsi.

**15) Who among the following person likes Coffee?**

- a) Sanju
- b) The one who was born just after the one who likes Frooti.
- c) Bittu
- d) Both B and C
- e) None of these

**16) How many persons were born after Rajat?**

- a) As many as between Pihu and the one who likes Coffee
- b) As many as between Sanju and the one who likes Sprite
- c) Two
- d) More than three
- e) None of these.

**17) Which of the following combination is not true?**

- a) Sinku – Frooti
- b) Rajat – Thumbs-up
- c) Moni – Sprite
- d) Pihu –Pepsi
- e) None of these

**18) Which of the following statement is/are not true?**

- a) Four persons were born before the one who likes Tea.
- b) Rajat likes Thumbs-up and was born in 1988.
- c) Apurva was born just before Moni.
- d) Two persons were born between Pihu and the one who likes Coca-Cola.
- e) All of the above statements are true.

**19) Who among the following person was born just after Moni?**

- a) The one who likes Tea.
- b) Rajat
- c) The one who was born in 1979
- d) The one who likes Coffee
- e) None of these

**Direction (20-22):** In each of the following questions, the relationship between different elements is shown in the statements followed by three conclusions. Find the conclusion which logically follows. **Covered in maximum mock test**

**20) Statements:**

$S \geq M > T > N = P$ ;  $E < T < H < L$ ;  $F \geq O > V = L$

**Conclusions:**

I.  $P < O$

II.  $S > V$

III.  $H > M$

- a) None follows
- b) Only I follow
- c) Only II follows
- d) Only III follows
- e) Both I and II follows

**21) Statements:**
 $R \geq L < N < T < D; W < X \leq Y < C < E; D > Z \geq A = B < C$ 
**Conclusions:**

 I.  $R \leq B$ 

 II.  $N < Y$ 

 III.  $W > Z$ 

- a) None follows
- b) Only I follow
- c) Only II follows
- d) Only III follows
- e) Either I or III and II follows

**22) Statements:**
 $G \geq H > S = M > L = N; Y \leq T < V < U < R < O; I > K = J > R = L$ 
**Conclusions:**

 I.  $H > U$ 

 II.  $M > O$ 

 III.  $S > Y$ 

- a) None follows
- b) Only I follow
- c) Only II follows
- d) Only III follows
- e) Both I and III follow

23) Seven persons-P, Q, R, S, T, U, and V are going to picnic on different days of the week starting from Sunday to Saturday but not necessarily in the same order. R is going two days before the one who is going three days after S. Q is the only person who goes before S. The number of persons going before P is one more than after U. V goes before T. U does not go adjacent day of R. How many persons are

going to picnic between Q and V? - **Covered - RRB PO Mains Set- 4- Q (20), SBI PO Mains Set-1- Q (35)**

- a) Two
- b) Three
- c) Four
- d) None
- e) One

24) In which of the following more than two meaningful words can be formed by using the following letters?

I. A, S, T, E

II. T, D, N, E

III. P, L, S, O

- a) Only I
- b) Only II
- c) Both I and II
- d) Only III
- e) All I, II, and III

25) If the second letter of all the words from the right end are taken and changed to the next second successive letter in alphabetical order. Which of the following has more than one vowel thus formed?

I. Bank, Blow, Cash

II. Draw, Ford, Hurt

III. Mass, Mode, Once

- a) Only I
- b) Both II and III
- c) Only III
- d) All I, II, and III

e) None

**Direction (26-30): Study the following information carefully and answer the below questions - covered - Bundle PDF course day-45**

Eight boxes – L, M, N, O, P, Q, R, and S are kept one above another in the stack. The lowermost position is numbered as one and the topmost position is numbered as eight. The boxes are of different colors- Red, Green, Blue, Violet, Gray, Pink, Yellow, and Orange. All the information is not necessarily in the same order.

Only three boxes are kept between Q and pink color box. Box N is kept two boxes below the box which is immediately above the Pink color box. Only one box is kept between the violet color box and N. Box R is kept two boxes above the yellow color box. Only three boxes are kept between L and Yellow color box which is adjacent to the pink color box. Box L is neither Violet nor red in color. Box Q is kept above box L. The number of boxes kept below R is the same as the above orange color box. Box M is kept two boxes above the box which is kept immediately below S. The number of boxes that kept between the Gray and Green colored box is one less than the box between O and P. S is kept above Q. The gray color box is kept below the orange color box. The number of boxes kept above the Blue box is the same as below Box P. The number of boxes between the Blue and Green colored box is the same as between Red color box and Q.

**26) Which of the following box kept at the 6<sup>th</sup> position from the bottom?**

- a) Box M
- b) The box which is kept two boxes above S
- c) The box which is kept immediately below R
- d) The box which is kept immediately above the Green box
- e) Box N

**27) How many boxes are kept below the Gray color box?**

- a) Three
- b) Two
- c) Four
- d) Five
- e) None of these

**28) What is the position of the Green box from the top?**

- a) Third
- b) Eighth
- c) Sixth
- d) Fifth
- e) Fourth

**29) Which of the following combination is false?**

- a) M-Red
- b) P-Pink
- c) S-Green
- d) O-Gray
- e) Q-Orange

30) Four of the following are alike a certain way and hence form a group. Who among the following does not belong to the group?

- a) The box which is kept immediately below S
- b) Box M
- c) The box which is kept two boxes above P
- d) Box O
- e) Green colored box

31) In a certain code language, “Program is super” is coded as “217693472”, “Super Art” is coded as “693238”, “He learns program” is coded as “217479624”, then what is the sum of the code for “Program Art”?

- a) 696
- b) 689
- c) 1103
- d) 910
- e) 455

32) T is 15m north of M. H is 9m south G which is 15m east of M. L is 20m west of H. V is north of O and 5m east of S which is 5m north of L. O is west of H. Then what is direction and distance of V with respect to T?

- a) 14m, north
- b) 19m, south
- c) 19m, north
- d) 24m, south
- e) 24m, north

**Direction (33-35):** Each of the questions below consists of a question and two statements

numbered I and II given below it. You have to decide whether the data provided in the statements are sufficient to answer the question:

- **Covered - RRB PO Mains Set 5 – Q (25-26), RRB PO Mains Set-6-Q (31-35), RRB PO Mains Set 9- Q (30-32),**

33) Six persons-L, M, N, O, P and Q are sitting in a row but not necessarily in the same order. Who among the following person sits second from the left end of the row? (facing south)

**Statement1:** Q sits third to the left of the one who sits second to the right of L. Only two persons are sitting between Q and M. Only one person sits between L and N.

**Statement2:** Only two persons are sitting between M and Q. M sits immediate right of the one who sits second to the left of O who sits either left or right end.

- a) Only Statement I is sufficient
- b) Only Statement II is sufficient
- c) Either statement I or statement II is sufficient
- d) Neither statement I nor statement II is sufficient
- e) Both statements I and II sufficient

34) There are six boxes- A, B, C, D, E, and F are kept one above another in a stack but not necessarily in the same order. How many boxes are kept above E?

**Statement1:** Box F is kept two boxes below the box which is kept three boxes above A. Only two boxes are kept between F and C which is kept



below A. Box B is kept immediately above Box D, neither of the boxes kept adjacent to C.

**Statement2:** Box E is kept three boxes below the box which is kept immediately above F. Box E is kept neither top nor bottom of the stack. Only two boxes are kept between C and F. Neither B nor D is kept below F.

- a) Only Statement I is sufficient
- b) Only Statement II is sufficient
- c) Either statement I or statement II is sufficient
- d) Neither statement I nor statement II is sufficient
- e) Both statements I and II are sufficient

**35) What is the direction of point L with respect to point X?**

**Statement1:** Point S is north of Point M which is west of Point G. Point P is east of Point X. Point L is North of point V.

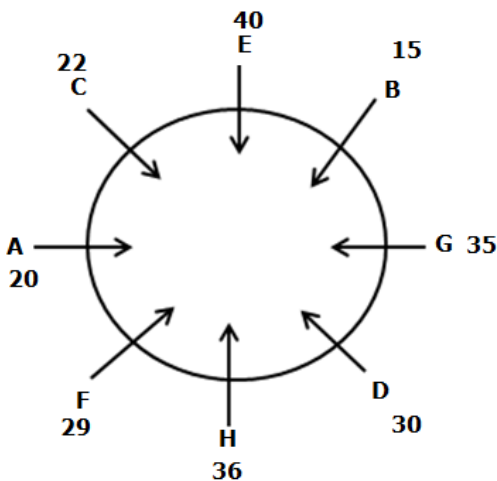
**Statement2:** Point V is exactly the middle of Point M and G. Point L is east of Point S. Point X is neither south nor south-east of Point M. Point P is south of point G.

- a) Only Statement I is sufficient
- b) Only Statement II is sufficient
- c) Either statement I or statement II is sufficient
- d) Neither statement I nor statement II is sufficient
- e) Both statements I and II are sufficient

**Answer with Detail Explanation**

Direction (1-5):

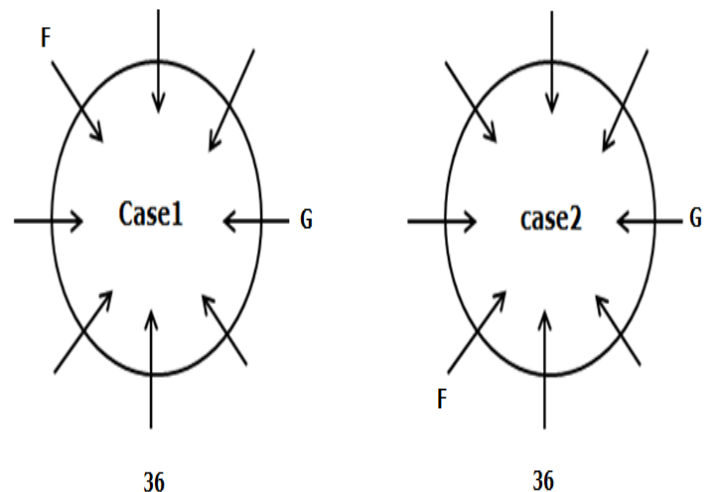
Final Arrangement



We have,

- G sits third to the right of the one who sits immediate left of the one whose age is 36.
- Two persons are sitting between G and F.

From the above condition, there are two possibilities.

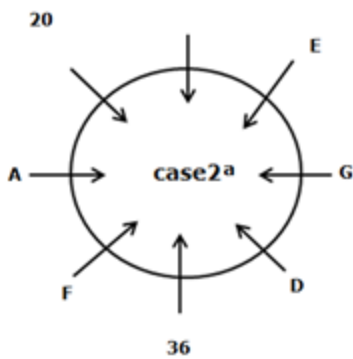
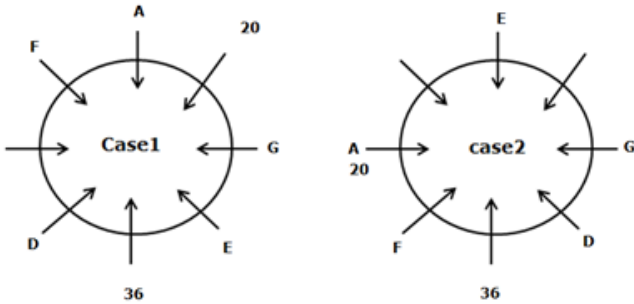


Again we have,

- D sits adjacent to the one who sits second to the right of A.

- A sits immediate left of F.
- The one whose age is 20 sits opposite to the one who sits second to the left of E.
- Neither F nor G is 20 years old.

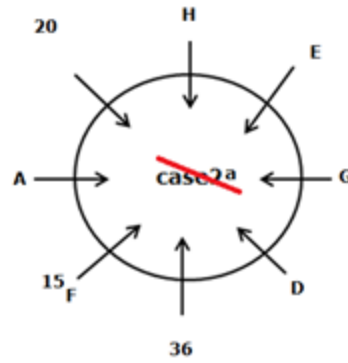
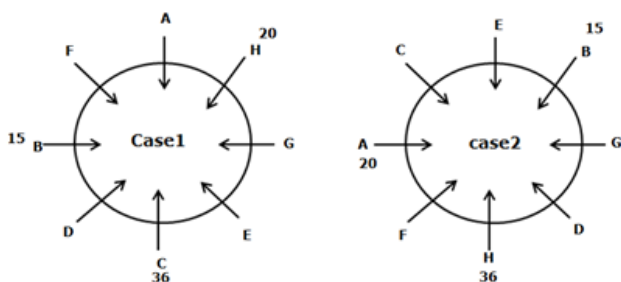
From the above condition, there are three possibilities.



Again we have,

- H sits third to the left of the one whose age is 15 years.
- Neither E nor A is 15 years old.
- B sits second to the left of C.

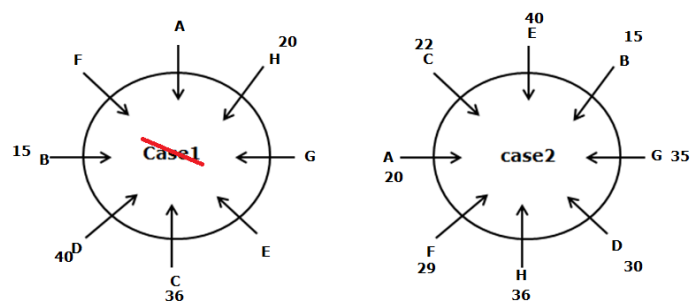
From the above condition, case2a gets eliminated.



Again we have,

- The age of D is twice the age of the one who sits immediate right of G.
- The age difference between E and D is the same as between D and A.
- The age of G is five years more than the one who sits immediate left of G.
- The age of F is one year less than the one who sits immediate right of H.
- One of the persons sitting at the table is 22 years old.

From the above condition, case1 gets eliminated. Case2 shows the final arrangement.



- 1) Answer: C
- 2) Answer: E
- 3) Answer: E
- 4) Answer: A
- 5) Answer: B

Direction (6-8):

Persons	Height
N	
M	
L	169 cm
O	
Q	159 cm
P	156 cm

6) Answer: B

172 cm is the answer because there is a possibility of N's height is- 175 cm, M is shorter than N. So M's height is 172 cm.

7) Answer: B

8) Answer: D

Direction (9-11):

K \_ \_ H \_ \_ F J \_ \_ E \_ \_ I D \_ G \_ \_

1. D sits fourth from the right end and is fifth to the right of E. Only two persons sit between E and I.

Case 1: I \_ \_ E \_ \_ \_ \_ D \_ \_ \_ \_

Case 2: E \_ \_ I D \_ \_ \_ \_

2. J sits sixth to the left of I and is second to the right of F. The number of persons between I and E is one less than the number of persons between H and F.

Case 1: F J H \_ \_ I E \_ \_ \_ \_ D \_ \_ \_ \_

Case 2: F J H E \_ \_ I D \_ \_ \_ \_

Case 2a: H \_ \_ F J \_ \_ E \_ \_ I D \_ \_ \_ \_

3. K sits third to the left of H and the number of persons to the left of K is one less than the number of persons to the right of G who doesn't sit adjacent to D. Hence, cases 1 and 2 get eliminated.

~~Case 1:~~ F K J \_ \_ H \_ \_ \_ \_ I \_ \_ E \_ \_ \_ \_ D G \_ \_

~~Case 2:~~ F K J \_ \_ H E \_ \_ \_ \_ I D G \_ \_

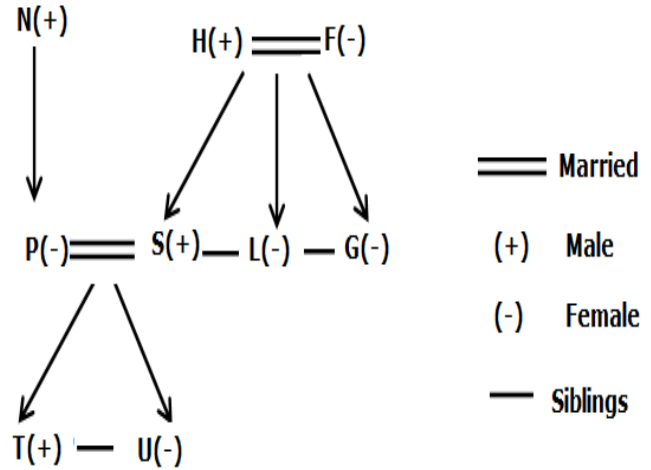
Case 2a: K \_ \_ H \_ \_ \_ \_ F J \_ \_ E \_ \_ I D G \_ \_

9) Answer: D

10) Answer: C

11) Answer: B

Direction (12-14):



12) Answer: B

13) Answer: E

14) Answer: C

Direction (15-19):

Case (1)		
Year	Name	Drink
1966	Pihu	Pepsi
1970	Sinku	Frooti
1971	Bittu	Coffee
1979	Apurva	Coca-Cola
1983	Moni	Sprite
1985	Sanju	Tea
1988	Rajat	Thumbs-Up

We have:

- The age of the person who likes Coffee is a multiple of 7 and was born after Pihu, whose age is an even number.
- At least one person was born between the one who likes Coffee and Pihu, who neither likes Frooti nor Sprite.  
Two persons were born between Pihu and Apurva, who like Coca-Cola.

Based on the above given information we have:

Case (1)			Case (2)			Case (3)		
Year	Name	Drink	Year	Name	Drink	Year	Name	Drink
1966	Pihu		1966			1966	Pihu	
1970			1970	Pihu		1970		
1971		Coffee	1971			1971		
1979	Apurva	Coca-Cola	1979			1979	Apurva	Coca-Cola
1983			1983	Apurva	Coca-Cola	1983		
1985			1985		Coffee	1985		Coffee
1988			1988			1988		

Again, we have:

- Sanju neither likes Coffee nor Thumbs-up but was born after Apurva.
- The number of persons born after Sanju is the same as the number of persons born before the one who likes Frooti.
- The number of persons born between Rajat and the one who likes Coca-Cola is one more than the number of persons born between Bittu and the one who likes Sprite.
- Rajat does not like Sprite.
- Rajat was born in a leap year but neither likes Frooti nor born before Bittu.

Based on the above given information we have:

Case (1)			<del>Case (2)</del>			Case (3)		
Year	Name	Drink	Year	Name	Drink	Year	Name	Drink
1966	Pihu		1966		Frooti	1966	Pihu	
1970		Frooti	1970	Pihu		1970		
1971	Bittu	Coffee	1971			1971	Bittu	Frooti
1979	Apurva	Coca-Cola	1979			1979	Apurva	Coca-Cola
1983		Sprite	1983	Apurva	Coca-Cola	1983	Sanju	Sprite
1985	Sanju		1985		Coffee	1985		Coffee
1988	Rajat		1988	Sanju		1988	Rajat	

**Case (2) is not valid as Rajat was born in a leap year but neither likes Frooti nor born before Bittu.**

Again, we have:

- At least two persons were born between Sinku and the one who likes Thumps-Up.
- Sinku was born before the one who likes Sprite.
- The number of persons born between Moni and the one who likes Tea is two

less than Apurva and the one who likes Pepsi.

Since, Sanju doesn't like Thumbs-Up.

Based on the above given information we have the final arrangement as follows:

Case (1)			<del>Case (3)</del>		
Year	Name	Drink	Year	Name	Drink
1966	Pihu	Pepsi	1966	Pihu	
1970	Sinku	Frooti	1970	Sinku	
1971	Bittu	Coffee	1971	Bittu	Frooti
1979	Apurva	Coca-Cola	1979	Apurva	Coca-Cola
1983	Moni	Sprite	1983	Sanju	Sprite
1985	Sanju	Tea	1985	Moni	Coffee
1988	Rajat	Thumbs-Up	1988	Rajat	Thumbs-Up

Case (3) is not valid as the number of persons born between Moni and the one who likes Tea is two less than Apurva and the one who likes Pepsi.

15) Answer: D

16) Answer: B

17) Answer: E

18) Answer: A

19) Answer: A

Direction (20-22):

20) Answer: B

Conclusions:

I.  $P < O (P = N < T < H < L = V < O) \rightarrow \text{True}$

II.  $S > V (S \geq M > T < H < L = V) \rightarrow \text{False}$

III.  $H > M (M > T < H) \rightarrow \text{False}$

21) Answer: A

Conclusions:

I.  $R \leq B (R \geq L < N < T < D > Z \geq A = B) \rightarrow \text{False}$

II.  $N < Y (N < T < D > Z \geq A = B < C > Y) \rightarrow \text{False}$

III.  $W > Z (W < X \leq Y < C > B = A \leq Z) \rightarrow \text{False}$

22) Answer: E

Conclusions:

I.  $H > U (H > S = M > L = R > U) \rightarrow \text{True}$

II.  $M > O (M > L = R < O) \rightarrow \text{False}$

III.  $S > Y (S = M > L = R > U > V > T \geq Y) \rightarrow \text{True}$

23) Answer: C

Days	Persons
Sunday	Q
Monday	S
Tuesday	R
Wednesday	P
Thursday	U
Friday	V
Saturday	T

24) Answer: A

I. East, Seat, Teas, Sate

II. Dent, Tend

III. Slop, lops

25) Answer: C

I. Bank, Blow, Cash  $\rightarrow$  nos  $\rightarrow$  pqu

II. Draw, Ford, Hurt  $\rightarrow$  arr  $\rightarrow$  ctt

III. Mass, Mode, Once  $\rightarrow$  sdc  $\rightarrow$  ufe

Direction (26-30):

**Final Arrangement**

	<b>Box</b>	<b>Color</b>
<b>8</b>	M	Red
<b>7</b>	S	Blue
<b>6</b>	Q	Orange
<b>5</b>	L	Green
<b>4</b>	O	Gray
<b>3</b>	R	Violet
<b>2</b>	P	Pink
<b>1</b>	N	Yellow

We have,

- Only three boxes are kept between Q and pink color box.
- Box N is kept two boxes below the box which is immediately above the Pink color box.
- Only one box is kept between the violet color box and N.

From the above condition, there are four possibilities.

<b>Case1</b>		<b>Case2</b>		<b>Case1a</b>		<b>Case2a</b>	
<b>Box</b>	<b>Color</b>	<b>Box</b>	<b>Color</b>	<b>Box</b>	<b>Color</b>	<b>Box</b>	<b>Color</b>
Q			Violet	Q			
			Pink				Pink
		N				N	
	Violet						
	Pink				Pink		Violet
N		Q		N		Q	
					Violet		

Again we have,

- Box R is kept two boxes above the yellow color box.
- Only three boxes are kept between L and Yellow color box which is adjacent to the pink color box.
- Box L is neither Violet nor red in color.
- Box Q is kept above box L.
- The number of boxes kept below R is the same as the above orange color box.

From the above condition, case1a gets eliminated. In case1 we can't place the orange color box.

<b>Case1</b>		<b>Case2</b>		<del>Case1a</del>		<b>Case2a</b>	
<b>Box</b>	<b>Color</b>	<b>Box</b>	<b>Color</b>	<b>Box</b>	<b>Color</b>	<b>Box</b>	<b>Color</b>
Q		R	Violet	Q		R	
L			Pink	L			Pink
		N	Yellow			N	Yellow
R	Violet			R			
	Pink				Pink		Violet
N	Yellow	Q		N	Yellow	Q	
		L				L	
					Violet		

Again we have,

- Box M is kept two boxes above the box which is kept immediately below S.
- The number of boxes kept between the Gray and Green colored boxes is one less than the box between O and P.
- S is kept above Q.
- The gray color box is kept below the orange color box.

From the above condition, case2a and case-2 gets eliminated.

Case1		<del>Case2</del>	<del>Case2a</del>
Box	Color	Box	Color
M		P/O	
S		R	Violet
Q	Orange	P/O	Pink
L	Gray/Green	N	Yellow
P/O	Gray/Green	M	Green/Gray
R	Violet	S	Green/Gray
P/O	Pink	Q	Orange
N	Yellow	L	

Again we have,

- The number of boxes kept above the Blue box is the same as below Box P.
- The number of boxes between Blue and Green colored boxes is the same as between Red color box and Q.

Case1	
Box	Color
M	Red
S	Blue
Q	Orange
L	Green
O	Gray
R	Violet
P	Pink
N	Yellow

26) Answer: D

27) Answer: A

28) Answer: E

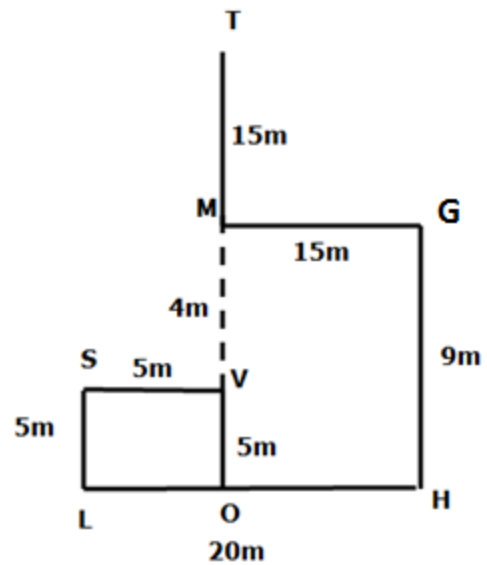
29) Answer: C

30) Answer: E

31) Answer: E

$217+238=455$

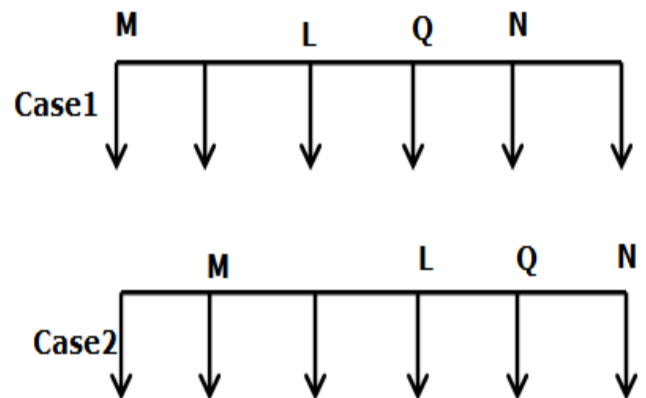
32) Answer: B



Direction (33-35):

33) Answer: B

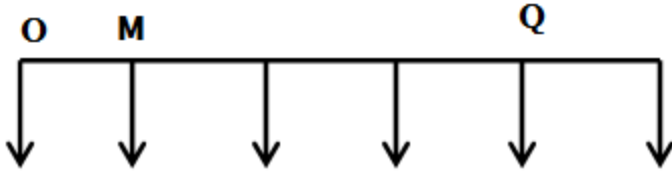
Statement 1:





From the above condition, there are two possibilities.

Statement 2:



From statement 2 we can find the answer.

34) Answer: C

Statement 1

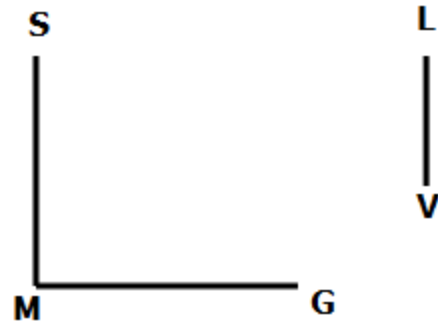
- B
- D
- F
- A
- E
- C

Statement 2

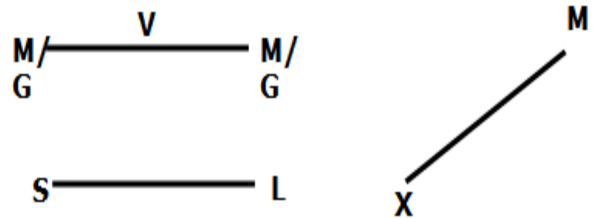
- B/D
- B/D
- F
- A
- E
- C

35) Answer: E

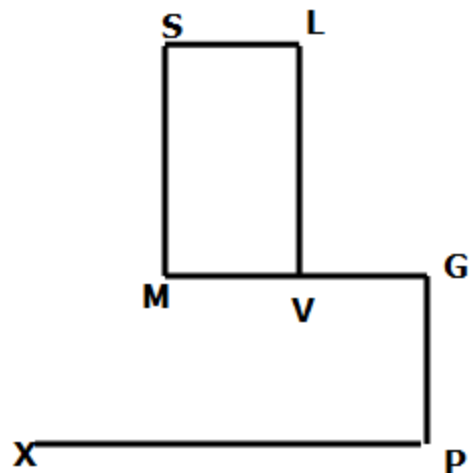
Statement 1:



Statement 2



Both Statement 1 and statement 2



### SBI Clerk & IBPS RRB PO Mains 2021 Reasoning Day – 1

**Direction (1-5):** Study the following information carefully and answer the below questions (based on RRB PO Mains 2021)

Eight persons- P, Q, R, S, T, U, V, and W are born in different years- 1982, 1985, 1988, 1989, 1993, 1996, 1999, and 2002. They like different Vegetables- Carrot, Brinjal, Cucumber, Capsicum, Peas, Mushroom, Pumpkin, and Potato. All the information is not necessarily in the same order.

**Note:** Consider the birth date of each person as 1<sup>st</sup> January and the age of each person is calculated from the base year 2021.

The one who likes Pumpkin is born three years before U. The age of U is an even number. P is born two persons before the one who born three persons after the one who likes Peas. P is not born in the odd number year. P does not like Pumpkin. The one who likes Mushroom was born immediately before the one who was born three persons after the one who likes Peas. S is born seven years before Q whose age is square value. The number of persons born before T is the same as after the one who likes Brinjal. The one who likes Brinjal is born three years after the one who likes Cucumber. Only six years difference between the one who likes Carrot and the one who likes Capsicum. The one who likes Carrot does not younger than the one who likes Peas. The number of persons born between W and the one who likes Potato is the same as

between V and the one who likes Brinjal. W is not the youngest person.

**1) What is the age of the one who likes Potato?**

- a) 19
- b) 25
- c) 28
- d) 22
- e) 33

**2) In which of the following year does the person who likes Cucumber was born?**

- a) 2002
- b) 1999
- c) 1989
- d) 1982
- e) 1985

**3) What is the sum of the age of the one who likes Peas, Pumpkin, and Carrot?**

- a) 94
- b) 80
- c) 74
- d) 100
- e) 86

**4) Which of the following combination is true?**

- a) P-Capsicum
- b) 1989-Potato
- c) U- Brinjal
- d) 2002-W
- e) Peas- 1988

5) Which of the following statement is true?

- a) The one who is born immediately before P likes Carrot
- b) S likes Mushroom
- c) Only three persons are elder than the one who likes Potato
- d) U is born in 2002
- e) W is the eldest person

**Direction (6-8): Study the following information carefully and answer the below questions (based on IBPS RRB Clerk Mains 2021)**

In a family of three-generation has eight members and two married couples. E is the only daughter of L. V is the only son of O. S has three kids. R has only one brother. L is the father-in-law of K's father. V has only one sibling. H is the brother-in-law of O and vice versa. V is the grandchildren of S.

6) How R is related to K?

- a) Uncle
- b) Aunt
- c) Brother
- d) Father
- e) Can't be determined.

7) How many female members are in the family?

- a) Three
- b) Four
- c) Two
- d) Five
- e) More than five

8) If R is married to A, then how A is related to H?

- a) Brother-in-law
- b) Brother-in-law's spouse
- c) Sister-in-law
- d) Sister-in-law's spouse
- e) Can't be determined

**Direction (9-10): Study the following information carefully and answer the below questions (based on IBPS RRB Clerk Mains 2021)**

In a family of three-generation has seven members and two married couples. L is the sister-in-law of Q and vice versa. E is the only son of V. G is the grandmother of E and is not a mother of Q. P is the father of V who has only one sibling. M is the mother-in-law of V. L is not a mother of E.

9) Find the odd one out?

- a) L's father
- b) V's sibling
- c) P's Spouse
- d) V's spouse
- e) L

10) Who among the following person is the spouse of Q?

- a) V
- b) The one who is the only son of P
- c) The one who is the only brother of L
- d) The one who is the father of E
- e) All of the above

**Direction (11-15): Study the following information carefully and answer the below questions (based on SBI Clerk Mains 2019)**

Sixteen persons K to Z are sitting in three parallel rows viz. row-1, row-2, and row-3 such that row-2 is to the north of row-3 and row-1 is to the north of row-2. 4 persons are sitting in row-1 where 8 persons are sitting in row-2 and 4 persons are sitting in the row-3. Persons sitting in row-3 faces north. Persons sitting in row-1 face south. The first 4 persons sitting from west to east in row-2 face north and the last four persons sitting from west to east in row-2 face south.

**Note: All the persons sitting in row 1 and row 3 are facing the persons sitting in row 2.**

M sits opposite to the one who sits third to the left of Q. Q sits second to the right of Y and vice versa. The number of persons sits to the left of Y is the same as to the right of U. U and M are facing the opposite direction. X sits north-west of Y but does not sit at the end of the row. Only three persons are sitting between V and Z who faces the same direction of Y. V neither faces M nor X. The one who faces T sits second to the right of W who faces the same direction as Z. X does not sit opposite to T. W does not sit adjacent to T. T does not sit at the end of the row. The number of persons sitting between O and W is the same as between M and K. The number of persons sits to the left of O is the same as to the right of the one who sits second to the right of R. The one who sits opposite to L

sits immediate right of S. N and S are not immediate neighbors. More than one person sits between the one who faces X and W

S does not sit at any ends.

**11) Who among the following person sits exactly between W and the one who sits opposite to S?**

- a) O
- b) The one who sits second to the right of V
- c) L
- d) The one who sits immediate right of Z
- e) N

**12) Who among the following persons are facing south direction?**

- I) M
- II) L
- III) Q
- a) Only (I) and (II)
- b) Only (I)
- c) Only (II) and (III)
- d) Only (II)
- e) All (I), (II), and (III)

**13) Who among the following persons are seated north-east of the one who sits immediate right of V?**

- a) The one who sits immediate left of X
- b) The one who sits second to the right of Y
- c) No one
- d) The one who sits second to the left of S
- e) The one who sits opposite to P

**14) What is the position of O with respect to Y?**

- a) Fourth to the right
- b) Second to the left
- c) Second to the right
- d) Third to the left
- e) Fifth to the left

**15) Four of the following are alike in a certain way. Which of the following one does not belong to the group?**

- a) NO
- b) MX
- c) TL
- d) WS
- e) RQ

**Direction (16-20):** Study the following information carefully and answer the below questions.

**(Based on SBI Clerk Mains 2020)**

Seven persons-L, M, N, O, P, Q, and R are living in the seven storey building. The lowermost floor is numbered as one and the topmost floor is numbered as seven. They are playing a cricket match and scored different runs. All the information is not necessarily in the same order.

Q lives two floors below the one who scored a half-century. Atleast two persons live below Q. Only two persons are living between the one who scored half-century and L. The number of floors above L is one more than below the one who scored the runs in square value. No one scored more than 90 runs. M lives three floors above the one who lives immediately above P. P and L are not living on the adjacent floor. The number of

floors between M and L is the same as between R and the one who scored 77 runs. O lives one of the floors above N. Q doesn't score 77 runs. O does not live on the adjacent floor of L. R scored less runs than N and more runs than O. O scored twice the run of L and lives on an odd-numbered floor. P scored half of the runs scored by R. The difference between the scores of L and P is one less than the difference between the scores of O and Q. Q scores more runs than the one who lives on the seventh floor. One of the members scored 89 runs.

**16) Which of the following statement is/are true?**

- I. M scored more runs than N
- II. R lives on an odd number floor
- III. Only three floors are between O and the one who scored 64 runs

- a) Only I and III
- b) Only III
- c) Only I and II
- d) Only II
- e) None of the statement is false

**17) How many floors are there between Q and the one who scored 77 runs?**

- a) Four
- b) Five
- c) Two
- d) Three
- e) None of the above

**18) Who among the following lives three floors above the one who scored 32 runs?**

- a) L
- b) The one who lives on the seventh floor
- c) The one who scored 50 runs
- d) M
- e) The one who scored 58 runs

19) What is the position of R from the bottom of the building?

- a) Seventh
- b) Fifth
- c) Third

- d) Sixth
- e) None of the above

20) What is the sum of the scores of the one who lives on the fifth, third and seventh floor?

- a) 146
- b) 171
- c) 172
- d) 224
- e) 107

[Click Here to Get the Detailed Video Solution for the above given Questions](#)

Or Scan the QR Code to Get the Detailed Video Solutions



**Answer Key with Explanation**

Direction (1-5):

- 1) Answer: C
- 2) Answer: B
- 3) Answer: D
- 4) Answer: A
- 5) Answer: B

Final Arrangement

Year (Age)	Person	Vegetables
1982(39)	T	Carrot
1985(36)	W	Peas
1988(33)	P	Capsicum
1989(32)	S	Mushroom
1993(28)	V	Potato
1996(25)	Q	Pumpkin
1999(22)	U	Cucumber
2002(19)	R	Brinjal

We have,

- The one who likes Pumpkin is born three years before U.
- The age of U is an even number.

From the above condition, there are two possibilities.

Year	Case-1		Case-2	
	Person	Vegetables	Person	Vegetables
1982(39)				Pumpkin
1985(36)			U	
1988(33)				
1989(32)				
1993(28)				
1996(25)		Pumpkin		
1999(22)	U			
2002(19)				

Again we have,

- P is born two persons before the one who born three persons after the one who likes Peas.
- P does not born in the odd number year.
- P does not like Pumpkin.

From the above condition, there are three possibilities.

Year	Case-1		Case-2		Case-2a	
	Person	Vegetable	Person	Vegetables	Person	Vegetables
1982(39)				Pumpkin		Pumpkin
1985(36)		Peas	U	Peas	U	
1988(33)	P		P			
1989(32)						
1993(28)						Peas
1996(25)		Pumpkin			P	
1999(22)	U					
2002(19)						

Again we have,

- The one who likes Mushroom was born immediately before the one who was born three persons after the one who likes Peas.
- S is born seven years before Q whose age is square value.

Since there is no place for Q in case 2a, so it gets eliminated.

Year	Case-1		Case-2		<del>Case-2a</del>	
	Person	Vegetables	Person	Vegetables	Person	Vegetables
1982(39)				Pumpkin		Pumpkin
1985(36)		Peas	U	Peas	U	
1988(33)	P		P			
1989(32)	S	Mushroom	S	Mushroom		
1993(28)						Peas
1996(25)	Q	Pumpkin	Q		P	
1999(22)	U					Mushroom
2002(19)						

Again we have,



- The number of persons born before T is the same as after the one who likes Brinjal.
- The one who likes Brinjal is born three years after the one who likes Cucumber.

	Case-1		Case-2	
Year	Person	Vegetables	Person	Vegetables
1982(39)	T		T	Pumpkin
1985(36)		Peas	U	Peas
1988(33)	P		P	
1989(32)	S	Mushroom	S	Mushroom
1993(28)				
1996(25)	Q	Pumpkin	Q	
1999(22)	U	Cucumber		Cucumber
2002(19)		Brinjal		Brinjal

Again we have,

- Only six years difference between the one who likes Carrot and the one who likes Capsicum.
- The one who likes Carrot is not younger than the one who likes Peas.
- The number of persons born between W and the one who likes Potato is the same as between V and the one who likes Brinjal. W is not the youngest person.

Since the one who likes Carrot is not younger than the one who likes Peas, So Case-2 gets eliminated.

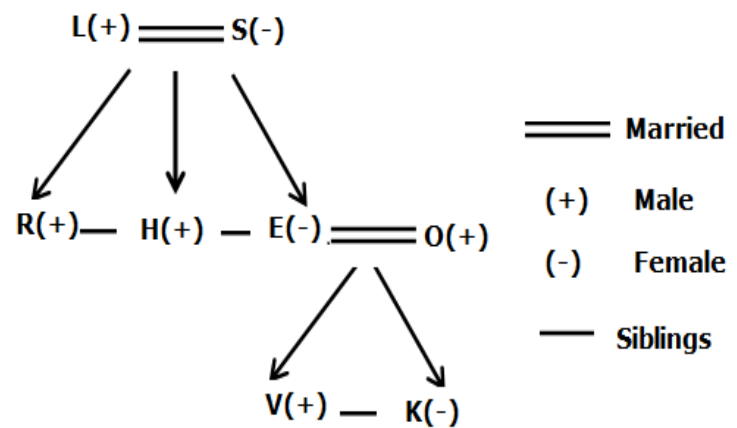
	Case1		<del>Case2</del>	
Year	Person	Vegetables	Person	Vegetables
1982(39)	T	Carrot	T	Pumpkin
1985(36)	W	Peas	U	Peas
1988(33)	P	Capsicum	P	
1989(32)	S	Mushroom	S	Mushroom
1993(28)	V	Potato		
1996(25)	Q	Pumpkin	Q	
1999(22)	U	Cucumber		Cucumber
2002(19)	R	Brinjal		Brinjal

Direction (6-8):

6) Answer: A

7) Answer: A

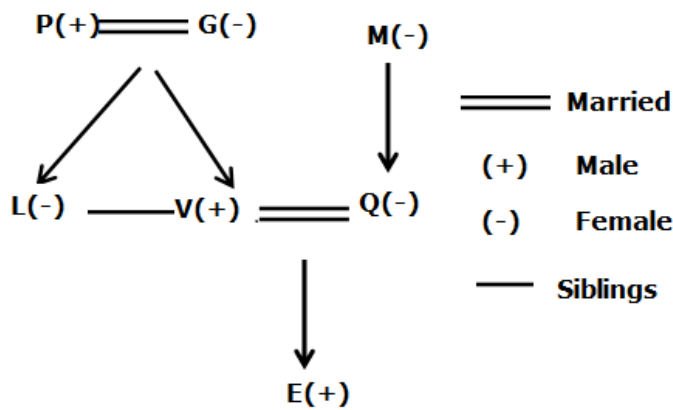
8) Answer: C



Direction (9-10):

9) Answer: A

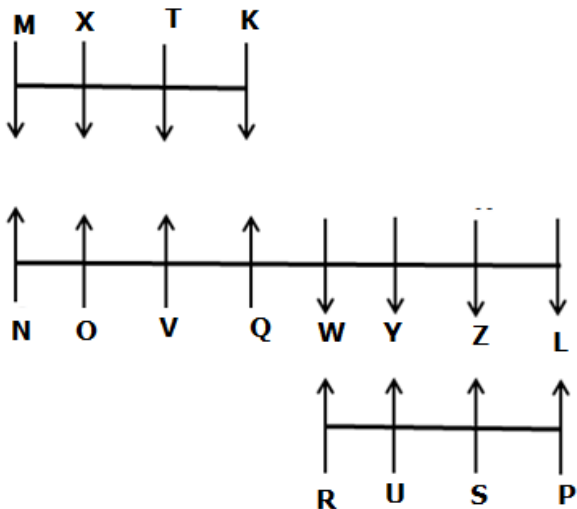
10) Answer: E



Direction (11-15):

- 11) Answer: D
- 12) Answer: A
- 13) Answer: C
- 14) Answer: A
- 15) Answer: D

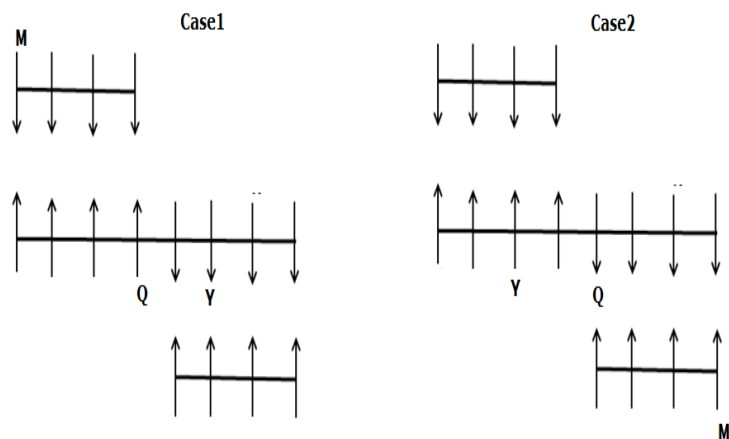
Final Arrangement



We have,

- M sits opposite to the one who sits third to the left of Q.
- Q sits second to the right of Y and vice versa.

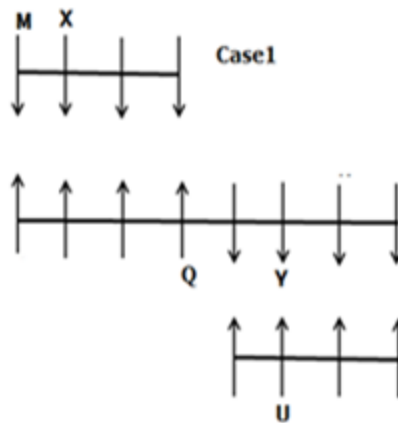
From the above condition, there are two possibilities.

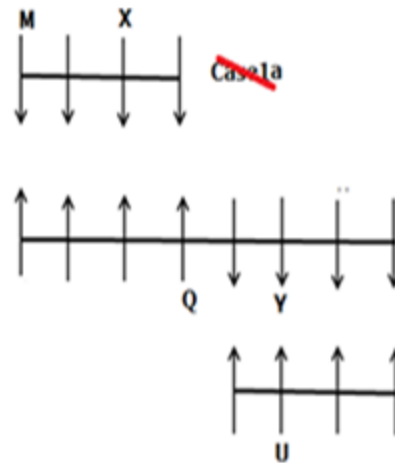
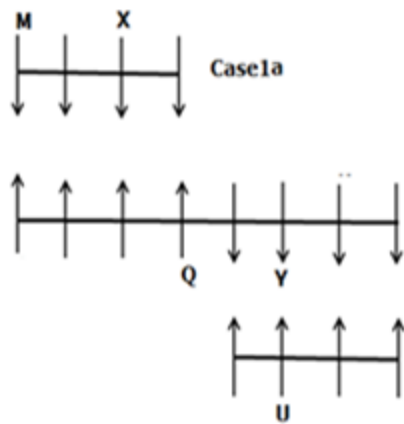
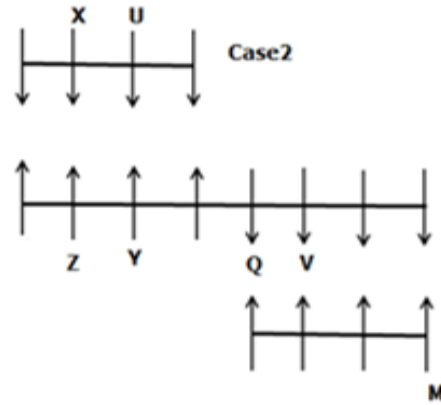
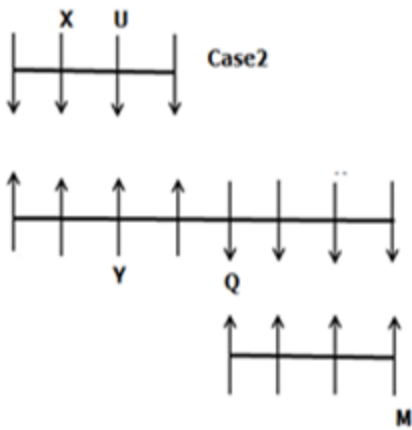


Again we have,

- The number of persons sits to the left of Y is the same as to the right of U.
- U and M are facing the opposite direction.
- X sits north-west of Y but does not sit at the end of the row.

From the above condition, there are three possibilities.

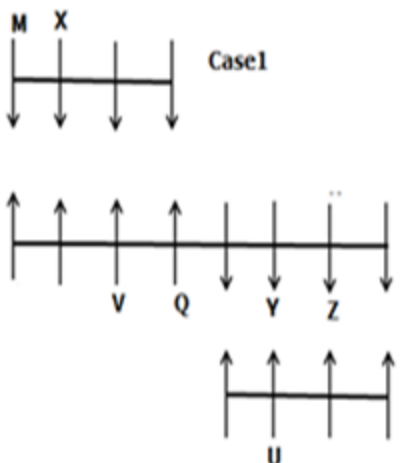




Again we have,

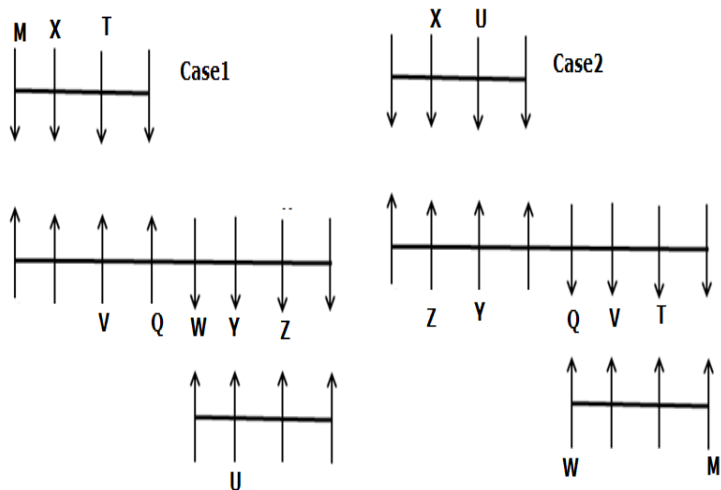
- Only three persons are sitting between V and Z who face the same direction of Y.
- V neither faces M nor X.

From the above condition, case1a gets eliminated.



Again we have,

- The one who faces T sits second to the right of W who faces the same direction as Z.
- T does not sit at the end of the row.
- X does not sit opposite to T.
- W does not sit adjacent to T.

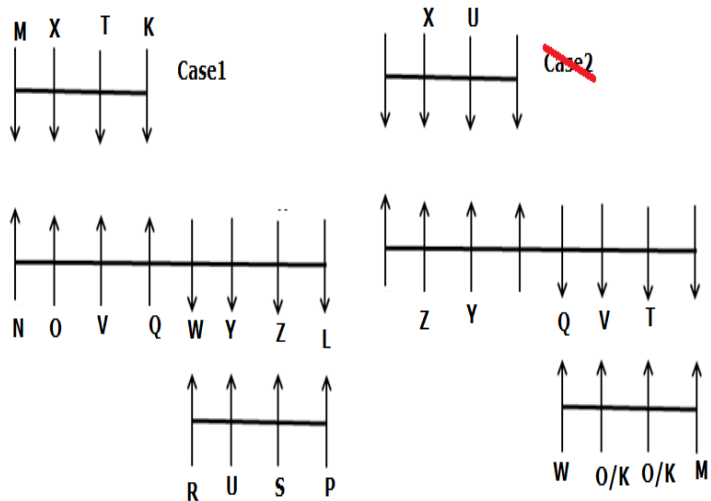


Again we have,

- The number of persons sitting between O and W is the same as between M and K.
- The number of persons sits to the left of O is the same as to the right of the one who sits second to the right of R.
- The one who sits opposite to L sits immediate right of S.
- N and S are not immediate neighbors.
- More than one person sits between the one who faces X and W
- S does not sit at any ends.

From the above condition, case2 gets eliminated.

case1 shows the final arrangement.



Direction (16-20):

16) Answer: E

17) Answer: D

18) Answer: E

19) Answer: C

20) Answer: C

Final Arrangement

Floor	Person	Score
7	O	50
6	M	89
5	Q	58
4	L	25
3	R	64
2	P	32
1	N	77

We have,

- Q lives two floors below the one who scored a half-century.
- Atleast two persons live below Q.
- Only two persons are living between the one who scored half-century and L.

From the above condition, there are three possibilities.

	Case-1	Case-2	Case-3			
Floor	Person	Score	Person	Score	Person	Score
7		50				
6				50		
5	Q					50
4	L		Q			
3			L		Q	
2					L	
1						

Again we have,

- The number of floors above L is one more than below the one who scored the runs in square value.
- No one scored more than 90 runs.

From the above condition, case3 gets eliminated.

	Case-1		Case-2		<del>Case-3</del>	
Floor	Person	Score	Person	Score	Person	Score
7		50				
6				50		
5	Q					50
4	L		Q	Square		
3		Square	L		Q	
2					L	
1						

Again we have,

- M lives three floors above the one who lives immediately above P.
- P and L are not living on the adjacent floor.
- The number of floors between M and L is the same as between R and the one who scored 77 runs.
- O lives one of the floors above N. Q doesn't score 77 runs
- O does not live on the adjacent floor of L.

	Case-1		Case-2	
Floor	Person	Score	Person	Score
7	O	50	R	
6	M		O	50
5	Q		M	77
4	L		Q	Square value
3	R	Square value	L	
2	P		N	
1	N	77	P	

Again we have,

- R scored less runs than N and more runs than O.
- O scored twice the run of L and lives on an odd-numbered floor.
- P scored half of the runs scored by R.
- The difference between the scores of L and P is one less than the difference between the scores of O and Q.
- Q scores more runs than the one who lives on the seventh floor.
- One of the members scored 89 runs.

From the above condition, case2 gets eliminated. case1 shows the final arrangement.

Floor	Case-1		<del>Case-2</del>	
	Person	Score	Person	Score
7	O	50	R	
6	M	89	O	50
5	Q	58	M	77
4	L	25	Q	Square value
3	R	64	L	25
2	P	32	N	
1	N	77	P	

Dear Friends, this is the Special Paid Bundle PDF Course which was made because of the Hard work of Our Experts Team. This PDF Course consists of High-Standard Questions on Reasoning, Quants, English, Current Affairs Quiz, Static GK Quiz and Banking Awareness Quiz Exactly on Exam Level. Total 40,000 Questions and Course Duration is of 50 Days for each exam. If anyone got this PDF without purchasing it, kindly buy this PDF Officially using the link given below. This will encourage us to work harder to produce high quality content for you in upcoming days.

[Get Our Special Grand Bundle PDF Course for All Upcoming Bank Exams](#)

Dear Friends, this is the Special Paid Bundle PDF Course which was made because of the Hard work of Our Experts Team. This PDF Course consists of High-Standard Questions on Reasoning, Quants, English, Current Affairs Quiz, Static GK Quiz and Banking Awareness Quiz Exactly on Exam Level. Total 40,000 Questions and Course Duration is of 50 Days for each exam. If anyone got this PDF without purchasing it, kindly buy this PDF Officially using the link given below. This will encourage us to work harder to produce high quality content for you in upcoming days.

[Get Our Special Grand Bundle PDF Course for All Upcoming Bank Exams](#)

## Grand Bundle PDF Course 2021

Exams Covered:

SBI Clerk | SBI PO | IBPS RRB PO |  
IBPS RRB Clerk | IBPS PO | IBPS Clerk

Separate PDF Course for All Major **Bank Pre + Mains** Exams

- Total No. of Ques.: **40,000+**
- Question in Bilingual (**Eng & Hindi**)
- Answers With Detailed **Video Solution**
- Provides you **50 days Study Planner** for each exams
- **Covers all types** of questions in each topic
- Questions in **Exact Exam Level**
- All Our PDFs are **Downloadable**
- **100% Satisfaction Assured** & It's Worthy for your money



[Click Here For SBI Clerk & IBPS RRB PO Mains 2021 - Bundle PDF Course Quants Day 1](#)

## Memory Based Paper – Quantitative Aptitude

IBPS PO MAINS Held on 4<sup>th</sup> Feb 2021

SBI PO MAINS Held on 29<sup>th</sup> Jan 2021

IBPS RRB Officer Scale 1 Mains held on Jan 30<sup>th</sup> 2021

IBPS RRB Office Assistant Mains Held on 20<sup>th</sup> Feb 2021

### SBI PO MAINS Memory based Paper Held on 29<sup>th</sup> Jan 2021

Direction (01 – 02): Read the following information carefully and answer the questions based on it.

A sequence of numbers is given to you as below:

18 (A) (B) (C) (D) 124

Where,  $A = P^2 - Q$

$B - A = (P + 1)^2 + Q$

$C - B = (P + 2)^2 + Q$

$D - C = (P + 3)^2 + Q$

$P = \text{HCF of } L \text{ and } M$ , where  $L$  and  $M$  are co-primes

$Q = \text{Smaller root of } K^2 - 2K - 8 = 0$

1) How many numbers are divisible by 3, in the given sequence?

- a) 2
- b) 4
- c) 3
- d) 6
- e) None of these

2) Find the value of  $(A^2 + 3B + 5C - 4D)$ .

- a) - 20
- b) - 10
- c) - 18
- d) - 30
- e) None of these

Direction (03 – 04): Read the following information carefully and answer the questions based on it.

A college conducts two exams – theory and practical. The maximum mark for the theoretical exam is 240 and that of the practical exam is 180. The weighted % of the theoretical exam is 60% and of practical exam is 40%.

Total maximum marks = maximum marks of written exam + maximum marks of the practical exam

Total maximum weighted score = weighted % x maximum marks of theoretical exam + weighted % x maximum marks of Practical exam

Total obtained weighted score = weighted % x marked obtained in theoretical exam + weighted % x marks obtained in Practical exam.

It is also known that, P and Q both get a weighted score of 156 and Q gets 165 marks in the practical exam. R gets 150 marks in the practical exam. S gets 210 marks in the theoretical exam and 75% marks in the practical exam.

**3) If R got 195 weighted scores in the exam, find the respective ratio of the obtained score by R and Q in the written exam?**

- a) 6:5
- b) 4:3
- c) 2:3
- d) 3:2
- e) None of these

**4) if S scored (50/7)% more marks in the written exam and R scored 180 marks in the written exam, then find the difference between the weighted score of Q and S is how much % of the maximum weighted score of the exam?**

- a) 10.54%
- b) 9.72%
- c) 9.32%
- d) 8.72%
- e) None of these

**Direction (05 – 07): Read the following information carefully and answer the questions based on it.**

A milkman has X litres of a mixture of milk and water in the ratio of 5:1 respectively. He sells mixture to three shopkeepers A, B and C in the same order. The table given below shows how the milkman deals with three shopkeepers.

Shopkeeper	Quantity		Milk added		Water		Mixture	
	Sold, in litres	in litres	in litres	added in litres	in litres	Left in litres	in litres	
A	120		80		0		560	
B	Y		80		10		M	
C	87		3R		R		P	

Interpretation of table: Milkman sold 120 litres to shopkeeper A, and then he added 80 litres of milk and 0 litres of water so the amount of mixture with shopkeeper becomes 560 litres. Milkman deals in the same manner with shopkeepers B and C.

**5) Find the value of 'X'?**

- a) 540 litres
- b) 480 litres
- c) 420 litres
- d) 600 litres
- e) None of these

**6) If the amount of milk left with milkman just before selling to shopkeeper C is 525% more than that of water, find the value of M.**

- a) 420 litres
- b) 560 litres

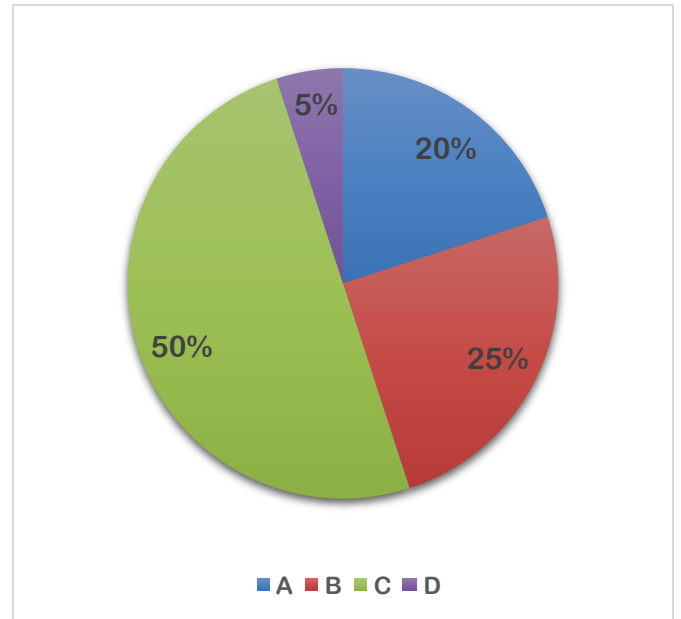
- c) 580 litres
- d) 620 litres
- e) None of these

7) If the difference between milk and water in final mixture is 567 litres, then find the value of 8.5R. Use data from previous question if required?

- a) 992.5 litres
- b) 872.5 litres
- c) 902.5 litres
- d) 882.5 litres
- e) None of these

**Direction (08 – 10):** Read the following information carefully and answer the questions based on it.

There are four trainers A, B, C and D those take classes in a month of three types basic class (1 hour), Regular Class (2 hours) and Advanced class (3 hours). No trainer can leave the class before the time and no one can take the class for extra time. D doesn't take any regular class. He will take either basic or Advance. The pie chart given below shows the % distribution of total hours class taken by all the four trainers. Total hours of the class are 60 hours.



8) In Next month, D takes 10 hours classes and he will use 3 hours out of 10 hours as of the previous month. If the number of basic classes taken by D next month is twice of advanced classes taken by D next month, then find the difference between basic classes and advanced classes by D?

- a) 1
- b) 2
- c) 4
- d) 3
- e) None of these

9) If A takes twice basic classes than advanced classes, then find the total number of classes taken by A?

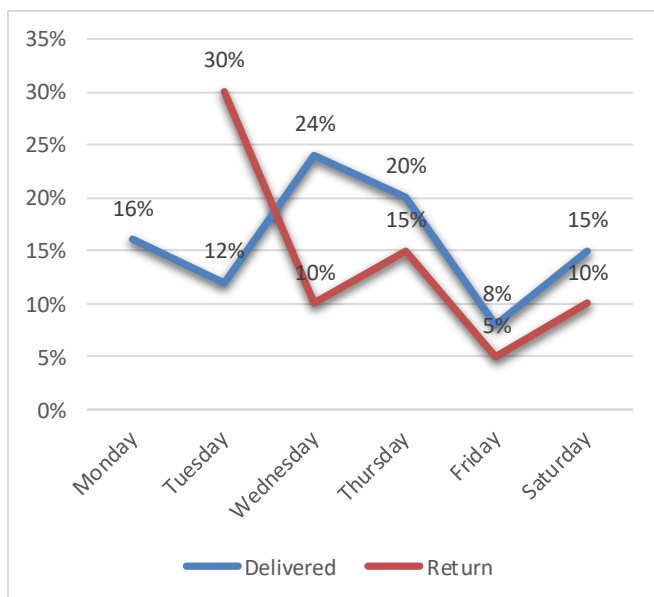
- a) 5
- b) 6
- c) 7
- d) 9
- e) None of these

10) B and C take all three types of classes, basic classes taken by B are equal to the regular classes taken by B. C takes four regular classes in the month and the number of advanced classes taken by B and C is the same. Find the difference between the minimum and the maximum number of basic classes taken by C?

- a) 8
- b) 9
- c) 12
- d) 11
- e) None of these

**Direction (11 – 14):** Read the following information carefully and answer the questions based on it.

The line graph given below shows the delivery of orders received on Sunday of week II and returns of orders on the following days.



The following facts are also known:

- Total orders received on Sunday of week II, it will be delivered on next 6 days: Monday,

Tuesday, Wednesday, Thursday, Friday and Saturday.

- Total orders which were not delivered on these six days are 225
- Orders cannot be returned on the same day, it has to be returned next day of delivery. No order is returned on Sunday of Week III.

11) Find the total number of orders returned on Wednesday and Thursday together?

- a) 217
- b) 197
- c) 227
- d) 237
- e) None of these

12) If the number of orders delivered on Friday is 40 more than the actual, then find the number of orders returned on Saturday?

- a) 40
- b) 50
- c) 45
- d) 39
- e) None of these

13) If the return percentage of Tuesday and Thursday are interchanged, then find the total number of orders returned on Tuesday and Thursday together?

- a) 422
- b) 442
- c) 332
- d) 432
- e) None of these

14) Orders returned on Saturday is approximately how much % of orders delivered on Tuesday?

- a) 13.33%
- b) 8.33%
- c) 6.667%
- d) 16.666%
- e) None of these

**Direction (15 – 16):** Read the following information carefully and answer the questions based on it.

There is a football tournament between three teams A, B and C. the following facts are known:

- Each team gets 2 points for scoring a goal to the opponent team.
- Each team get 1 extra point for scoring a goal from outside D (It is a position in football ground)
- Each team gets a penalty of 1 point if it is conceded any goal. The goal conceded means the goal is scored by the opponent team.
- Only three players from each team scored the goal.
- In the Match between A and B, B gets 4 points and is the winner of the game. A scored 2 goals in this game and no player scored the goal from outside D
- In the Match between A and C, C has 0 points in this match. Only one player from A scored a goal from outside D. A scored 4 points in this match.

- In the Match between B and C, B gets 6 points in this match and team C scored one more goal than team B. One player from team B scores a goal from outside D.

15) Find the sum of the maximum number of goals scored by a single player of each team.

- a) 15
- b) 9
- c) 13
- d) 12
- e) None of these

16) If the rank 3 team received prize money of Rs. 60000 and ratio of prize money to 1<sup>st</sup>: 2<sup>nd</sup>: 3<sup>rd</sup> ranking team is 8:5:3, then find which of the following combination is correct?

- I.A, Rs. 1 Lakhs
  - II. C, Rs. 1.6 Lakhs
  - III. B, Rs. 1.6 lakhs
  - IV. C, Rs. 1 Lakhs
  - V. B, Rs. 1 Lakhs
- a) I, II and III
  - b) II and III
  - c) III, IV
  - d) IV and V
  - e) None of these

**Direction (17 – 18):** In each of the following questions three statements I, II and III are given to you. Find which of the following statement is/are sufficient to answer the question.

17) Find the cost price of the article?

**Statement I:** An article is marked up by T% and sold at a discount of 20% and profit earned is 44%

**Statement II:** If the discount is 40%, then the profit is Rs. 16

**Statement III:** If there is no discount offered, then the selling price is Rs. 160 more than the cost price of the article.

- a) Only I and II
- b) Only I and III
- c) Only II and III
- d) All three required to answer
- e) Combination of any two statements

**18) P, Q and R entered into a partnership by investing a certain amount for 12 months, T month and 12 – T months respectively. Find the value of T?**

**Statement I:** Q invested 50% more amount than P and R invested twice the amount of Q.

**Statement II:** At the end of the partnership, the total profit earned by them is Rs. 700 and the profit share of Q is Rs. 100

**Statement III:** Profit share of P and R is in the ratio of 1:2

- a) Only I and II
- b) Only I and III
- c) Only II and III
- d) Either I and II or I and III
- e) None of these

**19) If a, b, c and d are positive integers, then find the correct relation between quantity I and II.**

**Quantity I:**  $a^{-b} / a^{-a} = a^b \times c$

**Quantity II:**  $(a^3 \times b^3) / (a \times b^2) = (b^3 \times d^4) / (b \times d)$

- a) Quantity I > Quantity II
- b) Quantity I < Quantity II
- c) Quantity I = Quantity II or no relation
- d) Quantity I  $\geq$  Quantity II
- e) Quantity I  $\leq$  Quantity II

### Answer with Detail Explanation

**Directions (1-2):**

HCF of two co – primes is always 1. So value of P = 1

$$K^2 - 2K - 8 = 0$$

$$(K + 2)(K - 4) = 0$$

$$K = -2, 4$$

So value of Q = -2

$$\text{Value of A} = (1)^2 - (-2) = 3$$

$$\text{Value of B} = (1 + 1)^2 - 2 + 3 = 5$$

$$\text{Value of C} = (1 + 2)^2 - 2 + 5 = 12$$

$$\text{Value of D} = (1 + 3)^2 - 2 + 12 = 26$$

So, the given sequence is 18, 3, 5, 12, 26 and 124

**1) Answer: C**

There are three numbers 18, 3 and 12 which are divisible by 3.

Hence answer is option C

**2) Answer: A**

We already calculated the values of A, B, C and D.

So required value =  $(3^2 + 3 \times 5 + 5 \times 12 - 4 \times 26) = -20$

Hence answer is option A

### 3) Answer: D

It is given that the weighted % of the theoretical exam is 60% and of the practical exam is 40%.

Total weighted score of R in exam = 195

Marks of R in Practical exam = 150

So,  $195 = 60\% \times \text{marks obtained by R in written exam} + 40\% \times 150$

Marks obtained by R in written exam =  $(195 - 60)/60 \times 100 = 225$  marks

Total weighted score of Q in exam = 156

Marks obtained by R in practical exam = 165

So,  $156 = 60\% \times \text{marks obtained by Q in written exam} + 40\% \text{ of } 165$

Marks obtained by Q in written exam =  $90/60 \times 100 = 150$

Required ratio =  $225:150 = 3:2$

Hence answer is option D

### 4) Answer: B

S gets 210 marks in the theoretical exam and 75% marks in the practical exam.

So, weighted score of S =  $60\% \text{ of } (210 + 50/7\% \times 210) + 40\% \times (75\% \text{ of } 180) = 135 + 54 = 189$

R scored 180 marks in the written exam and 150 marks in the practical exam

So, weighted score of R =  $60\% \text{ of } 180 + 40\% \times 150 = 168$

Maximum weighted score of exam =  $60\% \text{ of } 240 + 40\% \text{ of } 180 = 216$

Required % =  $(189 - 168)/216 \times 100 = 9.7222\%$

Hence answer is option B

### Directions (5-7):

Initial ratio of milk and water = 5:1

120 litres given to A, the ratio of milk and water will be the same 5:1. Now 80 litres of milk and 0 litres of water added then amount left with milkman is 560 litres.

So,  $X - 120 + 80 + 0 = 560$

$X = 600$  litres

Initial amount mixture = 600 litres

Initial amount of Milk =  $600 \times 5/6 = 500$  litres

Initial amount of water =  $600 - 500 = 100$  litres

Amount of milk left after given to A and then 80 litres milk added =  $5/6 (600 - 120) + 80 = 480$  litres

Amount of water left after given to A =  $1/6 \times (600 - 120) = 80$  litres

### 5) Answer: D

Ratio of milk and water after given to A =  $480:80 = 6:1$

Required value of X = 600 litres

Hence answer is option D

### 6) Answer: C

We already know the amount of mixture left with milkman after selling to A = 560 litres, in which ratio of milk and water is 6:1 respectively.

After giving Y litres to shopkeeper B, ratio of milk and water will not change and remains 6:1.

Amount of milk left with milkman just before



selling to shopkeeper C is 525% more than that of water

Now,

$$(6a + 80) / (a + 10) = 625\% = 25/4$$

$$24a + 320 = 25a + 250$$

$$\text{So, } a = 70$$

$$\text{So value of } Y = 560 - (6 \times 70 + 70) = 70$$

$$\text{Required value of } M = 560 - 70 + 80 + 10 = 580$$

Hence answer is option C

### 7) Answer: E

Ratio of milk and water just before selling mixture to shopkeeper C is 25:4 and value of M = 580 litres

$$\text{After of mixture left after selling to C} = 580 - 87 = 493$$

$$\text{Amount of milk left} = 493/29 \times 25 = 425 \text{ litres}$$

$$\text{Amount of water left} = 493 - 425 = 68 \text{ litres}$$

$$\text{Now, } (425 + 3R) - (68 + R) = 567$$

$$2R = 210$$

$$\text{So, } R = 210/2 = 105 \text{ litres}$$

$$\text{Required value} = 8.5 \times 105 = 892.5 \text{ litres}$$

Hence answer is option E

### 8) Answer: B

Total number of hour classes taken by D in previous month = 5% of 60 = 3 hours

He uses 3 hours out of 10 hours classes. D can take either basic or advanced classes.

If D takes 3 hours of basic classes in the previous month, he is left with 7 hours in the next month. Also basic class is twice of advanced classes.

Then possible case is, 4 basic classes (4 x 1) + 2 advance classes (3 x 2) = 10 hours.

He can't take more than two advanced classes.

If he takes 3 advanced classes, that means a total of 9 hours. So he needs to take 6 basic classes. Total hour classes become 15 hours which is not possible.

$$\text{So required difference} = 4 - 2 = 2$$

Hence answer is option B

### 9) Answer: C

$$\text{Total class hours of A} = 20\% \text{ of } 60 = 12 \text{ hours}$$

$$\text{Basic classes} = 2 \times \text{advance classes}$$

$$\text{So, basic classes} \times 1 + 2 \times \text{regular classes} + 3 \times \text{advance classes} = 12$$

$$2 \times \text{advance classes} \times 1 + 2 \times \text{regular classes} + 3 \times \text{advance classes} = 12$$

$$5 \times \text{advance classes} + 2 \times \text{regular classes} = 12$$

The above distributions are not possible,

So, only integral solution of this equation is,

$$\text{Advance classes} = 2 \text{ and regular classes} = 1$$

$$\text{So total number of classes taken by A} = 4 + 1 + 2 = 7$$

Hence answer is option C

### 10) Answer: B

$$\text{Total class hour of B} = 25\% \text{ of } 60 = 15 \text{ hours}$$

$$\text{Total class hour of C} = 50\% \text{ of } 60 = 30 \text{ hours}$$

$$\text{Let, the number of basic classes taken by B} = \text{regular classes taken by B} = a$$

$$\text{Number of advance classes taken by B} =$$

$$\text{Number of advance classes take by C} = b$$

$$\text{Number of Basic classes taken by C} = c$$

$$\text{So, } a \times 1 + 2 \times a + 3 \times b = 15 \text{ hours}$$

$$3a + 3b = 15$$

$$\text{Or, } a + b = 5 \dots\dots\dots (1)$$

$$\text{Also, } c \times 1 + 4 \times 2 + b \times 3 = 30$$

$$\text{So, } c + 3b = 22 \dots\dots\dots (2)$$

For minimum value of c, b should be maximum.

Maximum value of b, from equation 1, is 4

$$\text{So minimum value of } c = 22 - 3 \times 4 = 10$$

For maximum value of c, b should be minimum which is 1.

$$\text{So maximum value of } c = 22 - 3 \times 1 = 19$$

$$\text{Required difference} = 19 - 10 = 9$$

Hence answer is option B

**Directions (11 – 14):**

Total number of orders which are not delivered = 225

Total number of orders to be delivered = orders delivered + not delivered

$$\% \text{ of orders which was delivered} = (16\% + 12\% + 24\% + 20\% + 8\% + 15\%) = 95\%$$

$$\text{So, } \% \text{ of orders not delivered} = 5\%$$

$$\text{So, } 5\% \text{ of total orders received} = 225$$

$$\text{Total number of orders received} = 4500$$

$$\text{So number of orders delivered on Monday} = 16\% \text{ of } 4500 = 720$$

$$\text{Number of orders returned on Tuesday} = 30\% \text{ of number of orders delivered on Tuesday} =$$

$$30\% \text{ of } 720 = 216$$

Similarly can find the data of all days

Days	Orders delivered	Orders returned
Monday	720	0
Tuesday	540	216
Wednesday	1080	54
Thursday	900	162
Friday	360	45
Saturday	675	36

**11) Answer: E**

Number of orders returned on (Wednesday + Thursday) =  $54 + 162 = 216$

Hence answer is option E

**12) Answer: A**

Now, total number of orders delivered on Friday =  $360 + 40 = 400$

Number of orders now returned on Saturday =  $10\% \text{ of } 400 = 40$

Hence answer is option A

**13) Answer: D**

Now, number of orders returned on Tuesday =  $720 \times 15\% = 108$

Number of orders returned on Thursday =  $30\% \text{ of } 1080 = 324$

Total number of orders returned =  $108 + 324 = 432$

Hence answer is option D

**14) Answer: C**

Orders returned on Saturday = 36

Orders delivered on Tuesday = 540

Required % =  $36/540 \times 100 = 6.6667\%$

Hence answer is option C

**Directions (15 – 16):**

Match between A and B

A scored 2 goals and B scored 4 points in this match and there is no goal from outside D. That means B scored 6 points and 2 penalty points.

Score of B = 3 goals x 2 points – 2 goals x 1 point = 4 points (3 goals)

Score of A = 2 goals x 2 points – 3 goals x 1 point = 1 points (2 goals)

Match between A and C:

C scored 0 points in this match, which means earning points and penalty points are the same for C. In other words, goals conceded by C are twice of goal scored by C.

Only one player from A scored a goal from outside D. A scored 4 points in this match.

If C scored 1 goal, so goal conceded by C is 2 (goal scored by A).

Points of A is 4 and scored 2 goals out of which 1 is from outside D.

Score of D =  $2 \times 1 + 3 \times 1 - 1 \times 1 = 4$  points (possible)

Match between B and C

Let the number of goals scored by B = a

So, number of goals scored by C = (a + 1)

Points of B in this match = 6 points (1 goal outside D)

So,  $2(a - 1) + 1 \times 3 - 1(a + 1) = 6$

$2a + 1 - a - 1 = 6$

So, a = 6

So number of goals scored by B = 6 goals

Number of goals scored by D = 6 + 1 = 7 goals

Match	A	B	C
A - B	2 goals / 1 point	3 goals / 4 points	
A - C	2 goals / 4 points		1 goal (0 points)
B - C		6 goals / 6 points	7 goals (8 points)
Total	4 goals / 5 points	9 goals / 10 points	8 goals / 8 points

**15) Answer: A**

According to the question,

It is known that only three-player scored the goal from a team. For the maximum number of goals by a player, rest two-player should score the minimum number of goals.

For team A – Scored 4 goals. 2 player score 1 goal each and 1 player scored 2 goals

For team B – Scored 9 goals. The maximum number of goals by a player is 7

For team C – Scored 8 goals. The maximum number of goals by a player is 6

Required sum = 2 + 7 + 6 = 15 goals

Hence answer is option A

**16) Answer: C**

Points scored by A = 5 points (3<sup>rd</sup>)

Points scored by B = 10 points (1<sup>st</sup>)

Points scored by C = 8 points (2<sup>nd</sup>)

Money received by A = Rs. 60000

Money received by B =  $\frac{8}{3} \times 60000 =$  Rs. 160000

Money received by C =  $\frac{5}{3} \times 60000 =$  Rs. 100000

Hence answer is option C

**17) Answer: E**

**On combining I and II,**

Let cost price of the article =  $100a$

Selling price of the article = 144% of  $100a = 144a$

Marked price of the article =  $144a/80 \times 100 = 180a$

So marked up % =  $T = 80\%$

If the discount is 40%, then the profit is Rs. 16, so

Now selling price =  $180a \times 60\% = 108a$

So,  $(108a - 100a) = 16$

Value of  $a = 2$

Cost price of article =  $100 \times 2 = \text{Rs. } 200$

This combination is sufficient to answer the question.

**On combining I and III,**

Let cost price of article =  $100a$

Selling price of article = 144% of  $100a = 144a$

Marked price of the article =  $144a/80 \times 100 = 180a$

So marked up % =  $T = 80\%$

If there is no discount then the selling price is Rs. 160 more than the cost price of the article.

$(180a - 100a) = 160$

Value of  $a = 2$

Cost price of article = Rs. 200

**On combining II and III,**

Let MRP =  $100a$

If discount is 40%, then selling price =  $60a$

Cost price of article =  $60a - 16$

If no discount offered, then SP is Rs. 160 more than CP

So,  $100a - (60a - 16) = 160$

$40a = 144$

So, value of  $a = 3.6$

Cost price of article =  $3.6 \times 60 - 16 = \text{Rs. } 200$

Hence answer is option E

**18) Answer: D**

**On combining I and III,**

Ratio of money invested by P and Q = 2:3

Ratio of money invested by R and Q = 2:1

So, the ratio of investment of P, Q and R = 2:3:6

Ratio of profit share =  $(2 \times 12) : (3 \times T) : [6 \times (12 - T)] = 8 : T : (24 - 2T)$

Ratio of profit share of P and R is 1:2

So,  $8 / (24 - 2T) = 1/2$

$16 = 24 - 2T$

So the value of  $T = 4$

This combination is sufficient to answer

**On combining I and II,**

Ratio of money invested by P and Q = 2:3

Ratio of money invested by R and Q = 2:1

So, ratio of investment of P, Q and R = 2:3:6

Ratio of profit share =  $(2 \times 12) : (3 \times T) : [6 \times (12 - T)] = 8 : T : (24 - 2T)$

Ratio of profit of Q out of total profit =  $100/700 = 1/7$

So,  $T / (8 + T + 24 - 2T) = 1/7$

$7T = 32 - T$

$8T = 32$

$T = 4$

This combination is sufficient to answer the question

On combining (II and III), we cannot answer the question because we don't know any information about the investment.

Either I and III or I and II

Hence answer is option D

**19) Answer: C**

**Quantity I:**

$$a^{-b} / a^{-a} = a^b \times c$$

$$\text{So, } c = a^{(a-2b)}$$

**Quantity II:**

$$(a^3 \times b^3) / (a \times b^2) = (b^3 \times d^4) / (b \times d)$$

$$\text{So, } d^3 = (a^2/b)$$

$$\text{So, } d = (a^2/b)^{1/3}$$

Value of d must be a perfect cube, so put  $a = b^2$

So, value of  $d = (b^4/b)^{1/3} = b$

If  $a = 1$  then  $b = 1$

Value of  $d = 1$

Value of  $c = 1$

In this possibility Quantity I = Quantity 2

If  $a = 4$  then  $b = 2$

Value of  $d = 2$

Value of  $c = 1$

In this possibility Quantity I < Quantity 2

If  $a = 9, b = 3$

Value of  $d = 3$

Value of  $c = 9^3 = 729$

In this possibility Quantity I > Quantity II

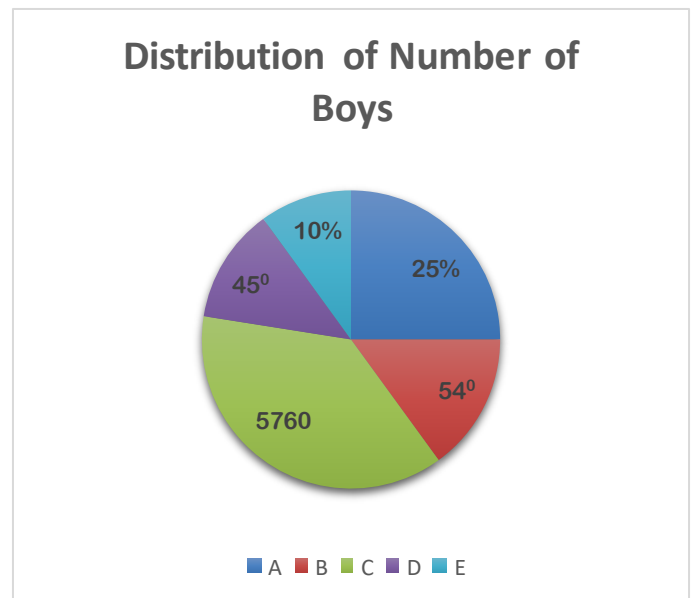
So we can't infer any relation

Hence answer is option C

**RRB PO MAINS Memory based Paper Held on 30th Jan 2021**

**Direction (01 – 05):** Read the following information carefully and answer the questions based on it.

The pie chart given below shows the % or degree distribution of the number of boys in five different colleges. The table given below shows the average number of boys and girls together in these five colleges, % of the number boys belongs to Delhi out of total students in a particular college and % of number of girls belongs to outside Delhi out of the total number of girls in that college.



College	Average of boys and girls together	% of boys belongs to Delhi	% of girls belongs to outside Delhi
A	2530	35%	40%
B	2250	50%	25%
C	4000	45%	43.75%
D	1870	25%	30%
E	1750	31.25%	50%

1) Find the difference between the number of boys who belongs to outside Delhi from college E and number of girls belongs to outside Delhi from college E?

- a) 64
- b) 104
- c) 94
- d) 84
- e) None of these

2) Find the total number of boys in college A is approximately how much % more or less than the total number of students who belongs to outside Delhi in college C?

- a) 8.5%
- b) 7.9%
- c) 7.4%
- d) 7.1%
- e) 9.5%

3) Find number of students who belongs to Delhi in college D is approximately how much % of total number of students in college D?

- a) 47%

- b) 46%
- c) 48%
- d) 49%
- e) 45%

4) Find the average number of students who belongs to Delhi in college C?

- a) 1936
- b) 1826
- c) 1996
- d) 1926
- e) None of these

5) Total number of girls who belongs to Delhi in all colleges together is approximately how much % of the total number of boys who belongs to outside Delhi in all colleges together?

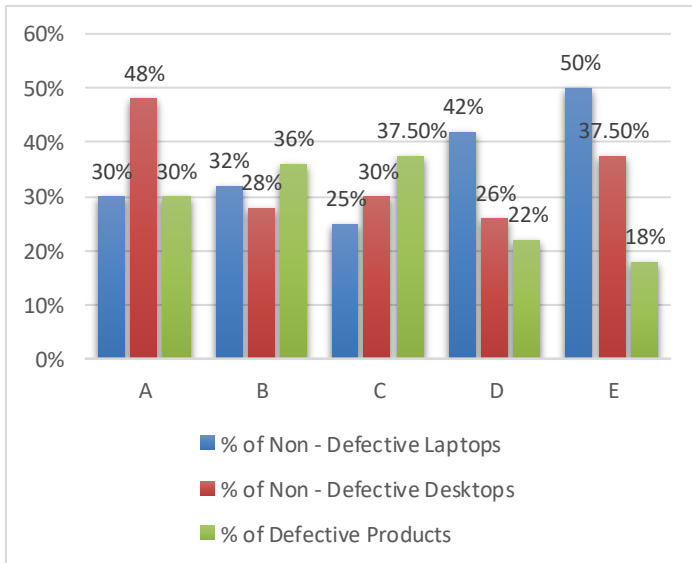
- a) 62.3%
- b) 63.3%
- c) 65.3%
- d) 67.3%
- e) 68.3%

**Direction (06 – 10):** Read the following information carefully and answer the questions based on it.

Five companies manufactured three types of products – Laptops, Desktops and LEDs. Some of the products manufactured by the company are defective. The bar graph given below shows the % of non – defective Laptops and Desktops out of the total number of non – defective products manufactured by a particular company and % of defective products out of the total

number of products manufactured by the company. Number of Non – defective LEDs manufactured by company A, B, C, E and D was 1848, 2880, 4320, 1517 and 3744 respectively.

Total number of products manufactured = Defective products manufactured + Non Defective products manufactured



6) Find the difference between the number of Non – defective Laptops manufactured by company C and Company D?

- a) 2082
- b) 2062
- c) 2092
- d) 2072
- e) None of these

7) Number of Non – defective Desktops manufactured by company D is approximately how much % of the number of non – defective Laptops manufactured by company E?

- a) 52%
- b) 50%
- c) 53%

- d) 51%
- e) 49%

8) Find the total number of defective items manufactured by all companies together?

- a) 19474
- b) 19274
- c) 19374
- d) 18374
- e) 18274

9) Total number of Non – Defective Laptops manufactured by all companies together is how much % of total number Non – Defective Desktops manufactured by all companies together?

- a) 110.6%
- b) 110.2%
- c) 107.9%
- d) 108.6%
- e) 108.2%

10) Find total number of products manufactured by all companies together?

- a) 68410
- b) 67410
- c) 68310
- d) 67310
- e) None of these

Direction (11 – 16): Read the following information carefully and answer the questions based on it.

There are three types of buses Normal (A and B), Luxury (P and Q) and Volvo (M). Each bus



has two classes – Sleeper and General class. The ratio of number of Seats in Sleeper class and general class of bus A is in 3:2 and the number of seats in a general class of bus B is  $57\frac{1}{7}\%$  more than the sleeper class of same Bus. Number of seats in the sleeper class of Bus P is 25 less than that of Bus B. Number of seats in the General class and the Sleeper class of Bus P is the same. Number of seats in the general class of bus Q is 50% of seats in the sleeper class of the same Bus. Ratio of the number of seats in the sleeper class of Bus B and that of Bus Q is in the ratio of 5:12 respectively. Ratio of the number of seats in the General class and Sleeper class of Bus M is in the ratio of 65:39 respectively. Total seats in Sleeper class and general class of bus Q and M together is 615 and 535 respectively. Total number of seats in the sleeper class of buses A and B together is 415.

**11) If 45% of seats in Sleeper class and 60% of seats of the general class of bus Q is occupied by male passengers and the rest seats are occupied by female passengers, then find the total number of female passengers in Bus Q. (Only one person is allowed to sit on one seat).**

- a) 325
- b) 295
- c) 315
- d) 335
- e) None of these

**12) If 40% of seats in sleeper class of normal buses in occupied by male passengers and**

**33.33% of seats in general classes of normal buses are occupied by female passengers. If the price of one male passenger is Rs. 69 and of female passengers Rs. 24, then find the total revenue generated by normal buses if the buses are fully occupied?**

- a) Rs. 40920
- b) Rs. 40720
- c) Rs. 40820
- d) Rs. 40520
- e) None of these

**13) If there is another bus N, having seats 65% more than that of bus M, and the ratio of number of seats in sleeper class and in general class in bus N is 6:7 respectively. Find the number of seats in general class of bus N.**

- a) 472
- b) 462
- c) 492
- d) 482
- e) None of these

**14) Find the average number of seats in the general class of all buses together?**

- a) 234
- b) 214
- c) 204
- d) 244
- e) None of these

**15) Find the difference between the number of seats in the sleeper class of bus A and bus M?**

- a) 55

- b) 65
- c) 85
- d) 45
- e) None of these

**16) Find the total number of seats in bus B is how much % more or less than that of bus P?**

- a) 50%
- b) 66.66%
- c) 75%
- d) 25%
- e) None of these

**Direction (17 – 21): Find the value of the question mark (?) in the following given number series.**

**17) 128, 245, (?), 520, 766, 787**

- a) 453
- b) 493
- c) 443
- d) 343
- e) None of these

**18) 1098, 1104, 1084, (?), 1054, 1164**

- a) 1126
- b) 1096
- c) 1136
- d) 1146
- e) None of these

**19) 191, 192, 189, 198, 171, 252, (?)**

- a) 19
- b) 90
- c) 191
- d) 9

- e) None of these

**20) 12, 28, (?), 400, 1870, 10375**

- a) 92
- b) 100
- c) 324
- d) 128
- e) None of these

**21) 161, 224, 294, (?), 447, 532**

- a) 397
- b) 367
- c) 369
- d) 389
- e) None of these

**Direction (22 – 25): In each of the following questions two statements I and II are given to you, find which of the following statement(s) is/are sufficient to answer the question.**

**22)  $7ab5$  is a four-digit number, find the value of  $(a^2/b + 8)$**

**Statement I:  $ab$  is exactly divisible by 12.**

**Statement II: The number is exactly divisible by 25. value of  $a$  is not 1.**

- a) Only I is sufficient to answer the question
- b) Only II is sufficient to answer the question
- c) Both statements together are sufficient to answer the question
- d) Either I or II is sufficient to answer the question
- e) Both statements together are not sufficient to answer the question

**23) Two vessels A and B contain mixtures of milk and water in the ratio of 5:7 and 8:9 respectively. Find the quantity of water in vessel A.**

**Statement I:** if 28.56% of the mixture from vessel A is removed and mixed with vessel B, then the amount of water in vessel B becomes 271 ml.

**Statement II:** The amount of milk in vessel B is 85 ml more than the amount of milk in vessel A.

- Only I is sufficient to answer the question
- Only II is sufficient to answer the question
- Both statements together are sufficient to answer the question
- Either I or II is sufficient to answer the question
- Both statements together are not sufficient to answer the question

**24) Length of train X is twice of train Y. Find the speed of train Y, if train X can cross the train Y in 30 seconds while running in the opposite direction.**

**Statement I:** Train X and Train Y can cross the pole in 45 seconds and 18 seconds respectively.

**Statement II:** Train X can cross the platform of length 2700 meters in 90 seconds.

- Only I is sufficient to answer the question
- Only II is sufficient to answer the question
- Both statements together is sufficient to answer the question
- Either I or II is sufficient to answer the question

e) Both statements together are not sufficient to answer the question

**25) Rakshit bought two articles A and B at Rs. P and Rs. Q respectively and spent Rs. 100 each for maintenance of the articles. Find the value of (P + Q).**

**Statement I:** When Rakshit sold article A at 25% profit and article B at 30% profit then there is an overall profit of 27.7272...% on the overall transaction.

**Statement II:** When Rakshit sold article A at 10% profit article B at 120% profit, so there is an overall profit of 70% on the overall transaction.

- Only I is sufficient to answer the question
- Only II is sufficient to answer the question
- Both statements together are sufficient to answer the question
- Either I or II is sufficient to answer the question
- Both statements together are not sufficient to answer the question

**26) Cost price of an article is Rs. P and it is marked up Rs. 240 above its cost price and sold after discount of 20%. Profit % on selling the article is Q%. Find which of the value(s) can satisfy the pair (P, Q).**

- 160, 100
  - 260, 700/13
  - 100, 162
  - 360, 33.33%
- a) I and II only

- b) I, II and IV only
- c) IV only
- d) I, II, III and IV
- e) None of these

27) Number of boys in a class is 36 more than the number of girls in a class. While the ratio of average amount contributed for farewell party of girl and boy is 1:2 respectively. Find the total number of students in the class, if the average amount contributed by all students is 83.33% of average amount contributed by boys.

- a) 108
- b) 96
- c) 120
- d) 136
- e) None of these

28) Number of articles sold by shopkeeper A is 35 more than 80% of number of articles sold by shopkeeper B. Ratio of number of articles sold by shopkeeper A and C is 5:8 respectively and shopkeeper C sold 70 articles more than the shopkeeper B. if shopkeeper C sold each article at Rs. 275, then find total revenue generated by article C.

- a) Rs. 20625
- b) Rs. 32625
- c) Rs. 33000
- d) Rs. 34000
- e) None of these

29) A vessel in the shape of triangle having base area of  $64 \text{ cm}^2$  is filled with lemon Juice up

to the height of 18 cm. There is another vessel in shape of cube whose total surface area is  $512 \text{ cm}^2$  is completely immersed in the triangle shape vessel. Find the ratio of new height up to lemon juice is filled and initial height up to lemon juice is filled.

- a) 13:11
- b) 13:9
- c) 12:11
- d) 13:7
- e) None of these

30) A train can cross a platform in 97.2 seconds and a person on bicycle is running with speed of 15 km/h in same direction as that of train in 54 seconds. Find the time taken by another person to cross the platform whose speed is twice of the person on bicycle and length of platform is same as that of train?

- a) 14.86 seconds
- b) 11.62 seconds
- c) 11.92 seconds
- d) 13.43 seconds
- e) None of these

31) Speed of boat in still water is 340% more than the speed of stream. A boat can travel upstream distance of 612 km in 12 hours. Find the difference between the time taken by boat to travel downstream distance in 7 hours and distance travelled by boat in still water in 13 hours.

- a) 391 km
- b) 261 km

- c) 281 km
- d) 291 km
- e) None of these

32) A mixture of milk and water in the ratio of 3:1. 80 ml of mixture is removed and replaced by water and then 100 ml of mixture is removed and replaced by water so, the amount of water in the final mixture becomes 220 ml. find the initial quantity of milk in the mixture?

- a) 200 ml
- b) 600 ml
- c) 400 ml
- d) 300 ml
- e) None of these

33) P invested Rs. K for 2 years @ 50% per annum earning compound interest. He then lent the interest received by him after 2 years to B. B invested the money for 3 years at 40% per annum compound interest. After 3 years, B gives (K + 115800) to C and rest of the amount he invested in the bank, then is he earning simple interest for 4 years at 20% per annum is Rs. 24000. Find the amount given to C?

- a) Rs. 176800
- b) Rs. 175800
- c) Rs. 165800

- d) Rs. 185800
- e) None of these

34) Ratio of efficiency of P and Q is in the ratio of 7:5. P started the work alone and completes 70% of the work in 2D days and remaining work completed by Q in (D + 4.8) days. Find approx. difference between the time taken by P and Q to complete the work alone?

- a) 28.4 days
- b) 27.4 days
- c) 29.4 days
- d) 29.8 days
- e) 27.8 days

35) Ramesh starting a business with an initial investment of Rs. M, after 2 months Riya joins him. After another 2 months, Ramesh withdraws 25% of the initial capital and Riya withdraws 37.5% of the initial capital after 5 months of joining the business, leaving an amount which is 60% of the initial investment of Ramesh. At the end of the year, if the total profit earned is Rs. 58740, then find the profit share of Ramesh?

- a) Rs. 33000
- b) Rs. 44000
- c) Rs. 66000
- d) Rs. Rs. 25740
- e) None of these

### Answer with Detail Explanation

Directions (1-5):

% of boys in college B out of total number of boys in all colleges together =  $54/360 \times 100 = 15\%$

% of boys from college D out of total number of boys in all colleges together =  $45/360 \times 100 = 12.5\%$

So,  $100\% = 25\% + 15\% + 5760 + 12.5\% + 10\%$

$37.5\%$  of total boys = 5760

So total number of boys in all colleges together =  $5760/37.5 \times 100 = 15360$

Number of boys in college A =  $25\%$  of 15360 = 3840

Total number of students in college A =  $2530 \times 2 = 5060$

Number of girls in college A =  $5060 - 3840 = 1220$

Number of boys who belongs to Delhi =  $35\%$  of 3840 = 1344

Number of boys belongs to outside Delhi =  $3840 - 1344 = 2496$

Number of girls who belongs to outside Delhi =  $40\%$  of 1220 = 488

Number of girls who belongs to Delhi =  $1220 - 488 = 732$

Similarly, we can find the data for all colleges

College	Total students	Number of boys	Number of girls	Number of boys belongs to Delhi	Number of boys belongs to outside Delhi	Number of girls belongs to Delhi	Number of girls belongs to outside Delhi
A	5060	3840	1220	1344	2496	488	732
B	4500	2304	2196	1152	1152	549	1647
C	8000	5760	2240	2592	3168	980	1260
D	3740	1920	1820	480	1440	546	1274
E	3500	1536	1964	480	1056	982	982
Total	24800	15360	9440	6048	9312	3545	5895

### 1) Answer: E

According to the question,

Number of boys who belongs to outside Delhi from college E = 1056

Number of girls belongs to outside Delhi from college E = 982

Required difference =  $1056 - 982 = 74$

Hence answer is option E

### 2) Answer: C

Total number of boys in college A = 3840

Total number of students who belongs to outside Delhi from college C =  $3168 + 980 = 4148$

Required ratio =  $(4148 - 3840)/4148 \times 100 = 7.4\%$

Hence answer is option C

### 3) Answer: A



Total number of students who belongs to Delhi in college D =  $480 + 1274 = 1754$

Total number of students in college D = 3740

Required % =  $1754/3740 \times 100 = 47\%$

Hence answer is option A

#### 4) Answer: D

Number of students who belongs to Delhi from college C = 2592

Number of students who belongs to Delhi from college C = 1260

Required average =  $(2592 + 1260)/2 = 1926$

Hence answer is option D

#### 5) Answer: B

Total number of girls who belongs to Delhi in all colleges together = 5895

Total number of boys who belongs to outside Delhi in all colleges together = 9312

Required % =  $5895/9312 \times 100 = 63.3\%$

Hence answer is option B

#### Directions (6-10):

##### For Company A,

Number of Non – Defective Laptops and Desktops manufactured by the company =  $(30\% + 48\%)$  of the total number of non – defective products manufactured by company =  $78\%$  of non – defective products

So, non – defective LEDs manufactured by the company =  $22\%$  of non-defective

So,  $22\%$  of non – defective = 1848

So, number of Non defective products manufactured by the company =  $1848/22 \times 100 = 8400$

Number of defective products manufactured =  $30\%$  of total products manufactured

So, number of non – defective products manufactured =  $70\%$  of total products manufactured

$70\%$  of total products manufactured = 8400

So total products manufactured by the company =  $8400/70 \times 100 = 12000$

Number of defective products manufactured =  $30\%$  of 12000 = 3600

Number of Non – Defective Laptops Manufactured =  $30\%$  of 8400 = 2520

Number of Non – Defective Desktops Manufactured =  $48\%$  of 8400 = 4032

Similarly we can find the data for all companies.

Company	Total products	Non - defective Products	Defective Products	Non - defective Laptops	Defective Desktops	Non - defective LEDs
A	12000	8400	3600	2520	4032	1848
B	11250	7200	4050	2304	2016	2880
C	15360	9600	5760	2400	2880	4320
D	15000	11700	3300	4914	3042	3744
E	14800	12136	2664	6068	4551	1517

#### 6) Answer: E



According to the question,

Number of Non – defective Laptops manufactured by company C = 2400

Number of Non – defective Laptops manufactured by company D = 4914

Required difference =  $4914 - 2400 = 2514$

Hence answer is option E

**7) Answer: B**

Number of Non – Defective Desktops manufactured by company D = 3042

Number of non – defective Laptops manufactured by company E = 6068

Required % =  $3042/6068 \times 100 = 50\%$

Hence answer is option B

**8) Answer: C**

Total number of defective items manufactured by all companies together =  $3600 + 4050 + 5760 + 3300 + 2664 = 19374$

**9) Answer: B**

Total number of Non – Defective Laptops manufactured by all companies together =  $2520 + 2304 + 2400 + 4914 + 6068 = 18206$

Total number Non – Defective Desktops manufactured =  $4032 + 2016 + 2880 + 3042 + 4551 = 16521$

Required % =  $18206/16521 \times 100 = 110.2\%$

Hence answer is option B

**10) Answer: A**

Required sum =  $12000 + 11250 + 15360 + 15000 + 14800 = 68410$

Hence answer is option A

**Directions (11-16):**

Let the number of seats in sleeper class and general class of bus A is  $3a$  and  $2a$  respectively.

Let the number of seats in sleeper class of bus B =  $35b$

So number of seats in general class of bus B =  $11/7 \times 35b = 55b$

Number of seats in sleeper class of bus P = general class of bus P =  $35b - 25$

Number of seats in sleeper class of bus Q =  $12/5 \times 35b = 84b$

Number of buses in general class of bus Q =  $50\%$  of  $84b = 42b$

Let the number of seats in general class and sleeper class of bus M is in ratio of  $65c$  and  $39c$  respectively.

Now,  $84b + 39c = 615$ ..... (1)

Also,  $42b + 65c = 535$ ..... (2)

Apply,  $2 \times$  equation (2) – equation (1), we get  $(130c - 39c) = 2 \times 535 - 615 =$

So, value of  $c = 455/91 = 5$

On putting value of  $c$  in equation 2, we get

$42b = 535 - 325$

So, value of  $b = 5$

Number of seats in sleeper classes of buses A and B together =  $415$

Number of seats in sleeper class of bus B =  $35 \times 5 = 175$

So the number of seats in the sleeper class of bus A =  $415 - 175 = 240$

So the number of seats in the general class of bus A =  $\frac{2}{3} \times 240 = 160$

Now, we can find the data related to the number of seats of all buses.

Buses	Sleeper class	General Class	Total
A	240	160	400
B	175	275	450
P	150	150	300
Q	420	210	630
M	195	325	520
Total	1180	1120	2300

**11) Answer: C**

According to the question,

Number of female passengers in sleeper class of bus Q =  $420 \times 55\% = 231$

Number of female passengers in General class of bus Q =  $210 \times 40\% = 84$

Total number of female passengers in bus Q =  $231 + 84 = 315$

Hence answer is option C

**12) Answer: A**

Number of male passengers in sleeper class of normal buses =  $40\%$  of  $(240 + 175) = 40\%$  of  $415 = 166$

Number of female passengers in sleeper class of normal buses =  $60\%$  of  $415 = 249$

Number of female passengers in general class of normal buses =  $\frac{1}{3}$  of  $(160 + 275) = \frac{1}{3}$  of  $435 = 145$

Number of male passengers in general class of normal buses =  $\frac{2}{3}$  of  $435 = 290$

Total revenue generated =  $69 \times (166 + 290) + 24 \times (249 + 145) = 31464 + 9456 = \text{Rs. } 40920$

**13) Answer: B**

Number of seats in bus N =  $165\%$  of  $520 = 858$

Number of seats in general class of bus N =  $\frac{7}{13} \times 858 = 462$

Hence answer is option B

**14) Answer: E**

Required average =  $(160 + 275 + 150 + 210 + 325)/5 = 1120/5 = 224$

Hence answer is option E

**15) Answer: D**

Required difference =  $240 - 195 = 45$

Hence answer is option D

**16) Answer: A**

Total number of seats in bus B = 450

Total number of seats in bus P = 300

Required % change =  $(450 - 300)/300 \times 100 = 50\%$

Hence answer is option A

**17) Answer: C**

128	245	443	520	766	787
	117	198	77	246	21
		+ 81	- 121	169	- 225
		(+ 9 <sup>2</sup> )	(- 11 <sup>2</sup> )	(+ 13 <sup>2</sup> )	(- 15 <sup>2</sup> )

**18) Answer: A**

$$1098 + (2 \times 3) = 1104$$

$$1104 - (4 \times 5) = 1084$$

$$1084 + (6 \times 7) = 1126$$

$$1126 - (8 \times 9) = 1054$$

$$1054 + (10 \times 11) = 1164$$

Hence answer is option A

**19) Answer: D**

$$191 + 3^0 = 192$$

$$192 - 3^1 = 189$$

$$189 + 3^2 = 198$$

$$198 - 3^3 = 171$$

$$171 + 3^4 = 252$$

$$252 - 3^5 = 9$$

Hence answer is option D

**20) Answer: B**

$$12 \times 1.5 + 10 = 28$$

$$28 \times 2.5 + 30 = 100$$

$$100 \times 3.5 + 50 = 400$$

$$400 \times 4.5 + 70 = 1870$$

$$1870 \times 5.5 + 90 = 10375$$

Hence answer is option B

**21) Answer: C**

Logic = number + (consecutive prime number starting from 61 + consecutive natural number starting from 2)

$$161 + (61 + 2) = 224$$

$$224 + (67 + 3) = 294$$

$$294 + (71 + 4) = 369$$

$$369 + (73 + 5) = 447$$

$$447 + (79 + 6) = 532$$

Hence answer is option C

**22) Answer: C**

**Statement I:** ab is exactly divisible by 12.

So, the value of ab could be 12, 24, 36, 48, 60, 72, 84 and 96

This statement alone is not sufficient to answer the question.

**Statement II:** The number is exactly divisible by 25. **value of a is not 1.**

So the value of b can be 2 or 7

This statement alone is not sufficient to answer the question.

**From statement I and II:**

Value of ab should be 72.

Value of a = 7 and b = 2

Required value =  $(7^2 / 2 + 8) = 32.5$

Hence answer is option C

**23) Answer: C**

Let the quantity of milk and water in vessel A and vessel B is 5a, 7a and 8b, 9b respectively.

**Statement I:** if 28.56% of the mixture from vessel A is removed and mixed with vessel B, then the amount of water in vessel B becomes 271 ml.

$$7a \times \frac{2}{7} + 9b = 271$$

$$2a + 9b = 271 \dots \dots \dots (1)$$

This statement alone is not sufficient to answer the question

**Statement II:** The amount of milk in vessel B is 85 ml more than the amount of milk in vessel A.

$$8b - 5a = 85 \dots \dots \dots (2)$$

This statement alone is not sufficient to answer the question

**On combining both statements,**

$$2a + 9b = 271 \dots\dots\dots (1)$$

$$8b - 5a = 85 \dots\dots\dots (2)$$

On solving both equations

$$(45b + 16b) = 271 \times 5 + 85$$

$$61b = 1525$$

So, the value of  $b = 25$

And the value of  $a = 23$

So quantity of water in vessel A =  $7 \times 23 = 161$  ml

Both statements are required to answer.

Hence answer is option C

**24) Answer: C**

The length of train X and train Y is '2a' and 'a' meters respectively.

Now,  $(2a + a) =$  sum of speed of trains  $\times 30$

So,  $a = 10 \times$  sum of the speed of trains..... (1)

**Statement I:** Train X and Train Y can cross the pole in 45 seconds and 18 seconds respectively

$$2a = \text{speed of train X} \times 45 \dots\dots\dots (2)$$

$$\text{Also, } a = \text{speed of train Y} \times 18 \dots\dots\dots (3)$$

On dividing both equations

$$2/1 = (\text{speed of train X} \times 45) / (\text{speed of train Y} \times 18)$$

$$\text{Speed of train X} / \text{Speed of train Y} = 4/5$$

This statement alone is not sufficient to answer the question

**Statement II:** Train X can cross the platform of length 2700 meters in 90 seconds.

$$\text{So, } (2a + 2700) = \text{speed of train X} \times 90 \dots\dots\dots (4)$$

This statement alone is not sufficient to answer the question

**On combining both statements,**

From equation 2,

$$\text{Speed of train X} = 2a/45$$

From equation 4,

$$(2a + 2700) = \text{speed of train X} \times 90$$

$$\text{So, } (2a + 2700) = 2a/45 \times 90$$

$$\text{Value of } a = 2700/2 = 1350$$

So length of train Y = 1350 meters

Put in equation 3,

$$1350 = \text{speed of train Y} \times 18$$

$$\text{Speed of train Y} = 1350/18 = 75 \text{ m/s}$$

Hence answer is option C

**25) Answer: E**

**Statement I:**

Cost price of articles for Rakshit after maintenance be  $(P + 100)$  and  $(Q + 100)$  respectively.

$$\text{So, } (P + 100) \times 1.25 + (Q + 100) \times 1.3 = (P + Q + 200) \times 281/220$$

$$275P + 27500 + 286Q + 28600 = 281P + 281Q + 56200$$

$$5Q - 6P = 100$$

This statement alone is not sufficient to answer the question.

**Statement II:**

By allegation,

10%	120%
-----	------

70%	
-----	--

50%                      60%

Ratio of cost price = 5:6

$$(P + 100)/(Q + 100) = 5/6$$

$$6P + 600 = 5Q + 500$$

$$5Q - 6P = 100$$

This statement alone is not sufficient to answer the question.

**26) Answer: B**

I. 160, 100

Cost price of article = 160

Marked price of article = 160 + 240 = 400

Selling price of article = 80% of 400 = 320

$$\text{Required profit \%} = (320 - 160)/160 \times 100 = 100\%$$

This option will satisfy the value.

II. 260, 700/13

Cost price of article = 260

Marked price of article = 260 + 240 = 500

Selling price of article = 80% of 500 = 400

$$\text{Required profit \%} = (400 - 260)/260 \times 100 = (700/13) \%$$

This option will satisfy the value.

III. 100, 162

Cost price of article = 100

Marked price of article = 100 + 240 = 340

Selling price of article = 80% of 340 = 272

$$\text{Required profit \%} = (272 - 100)/100 \times 100 = 172\%$$

This option will not satisfy the value.

IV. 360, 33.33

Cost price of article = 360

Marked price of article = 360 + 240 = 600

Selling price of article = 80% of 600 = 480

$$\text{Required profit \%} = (480 - 360)/360 \times 100 = 33.33\%$$

This option will satisfy the value.

So, I, II and IV will satisfied the given pair

Hence answer is option B

**27) Answer: A**

Let the number of girls in class = a

So number of boys = (a + 36)

Let the average amount contributed by each girl = Rs. b

So average amount contributed by each boy = 2b

$$\text{Average amount contributed by a student} = 5/6 \times 2b = 5b/3$$

$$\text{So, } a \times b + (a + 36) \times 2b = (a + a + 36) \times 5b/3$$

$$3a + 6a + 216 = 10a + 180$$

$$\text{So, value of } a = 216 - 180 = 36$$

$$\text{Total number of students in class} = 36 + (36 + 36) = 108$$

Hence answer is option A

**28) Answer: C**

Let the number of articles sold by shopkeeper B = a

Number of articles sold by A = 35 + 0.8a

Number of articles sold by C = 8/5 x (35 + 0.8a)

Now,

$$8/5 \times (35 + 0.8a) - a = 70$$

$$280 + 6.4a - 5a = 350$$

$$1.4a = 70$$

$$\text{So, value of } a = 50$$

$$\text{Number of article sold by C} = 8/5 \times (35 + 0.8 \times 50) = 120$$

Total revenue generated by C =  $120 \times 275 =$   
Rs. 33000

Hence answer is option C

**29) Answer: B**

Total surface area of cube =  $512 \text{ cm}^2$

Increment in the height of lemon juice level =  
 $512/64 = 8 \text{ cm}$

New height of lemon Juice level =  $18 + 8 = 26$   
cm

Required ratio =  $26:18 = 13:9$

Hence answer is option B

**30) Answer: E**

Let the length of train and speed of train is a  
meters and b km/h respectively.

So,  $(a + a) = b \times 5/18 \times 97.2$

So,  $2a = 27b$

So,  $a = 27b/2 \dots \dots \dots (1)$

Also,  $a = (b - 15) \times 5/18 \times 54$

Put value of a in equation 1

$27b/2 = (b - 15) \times 5/18 \times 54$

$9b = 10b - 150$

So,  $b = 150 \text{ km/h}$

And value of a =  $27/2 \times 150 = 2025$  meters

Required time =  $2025 / (2 \times 15) \times (18/5) = 18.75$   
seconds

Hence answer is option E

**31) Answer: D**

Let speed of stream = a km/h

So, speed of boat in still water = 440% of a =  
4.4a

Upstream speed of boat =  $612 / 12 = 51 \text{ km/h}$

So,  $(4.4a - a) = 51$

$3.4a = 51$

So, value of a = 15

Speed of boat in still water =  $15 \times 4.4 = 66 \text{ km/h}$

Downstream speed of Boat =  $66 + 15 = 81 \text{ km/h}$

Required difference =  $(66 \times 13) - (81 \times 7) = 291$   
km

Hence answer is option D

**32) Answer: D**

Total quantity of mixture is same. So amount of  
milk in final mixture =  $(4a - 220) \text{ ml}$

Now,

$3a \times (1 - 80/4a) \times (1 - 100/4a) = (4a - 220)$

$3a \times (a - 20) \times (a - 25) / (a \times a) = 4a - 220$

$3 \times (a^2 - 45a + 500) = 4a^2 - 220a$

$3a^2 - 135a + 1500 = 4a^2 - 220a$

$a^2 - 85a - 1500 = 0$

$(a - 100)(a + 15) = 0$

Possible value of a = 100

So amount of milk in mixture initially =  $3 \times 100 =$   
300 ml

Hence answer is option D

**33) Answer: B**

Amount of interest earned by P =  $K \times (1.5^2 - 1) =$   
1.25K

Total money with B after earning compound  
interest =  $1.25K \times 1.4 \times 1.4 \times 1.4 = 3.43K$

Money left with B after given to C =  $3.43K - (K +$   
 $115800) = (2.43K - 115800)$

Simple interest received by B =  $20\% \times 4 \times$   
 $(2.43K - 115800)$

So,  $20\% \times 4 \times (2.43K - 115800) = 24000$

$$2.43K = 145800$$

$$\text{So, value of } K = 145800/2.43 = 60000$$

$$\text{So, amount given to } C = (60000 + 115800) = 175800$$

Hence answer is option B

### 34) Answer: B

According to the question,

$$(7 \times 2D / 70\%) = [5 \times (D + 4.8)] / 30\%$$

$$6D = 5D + 24$$

$$D = 24$$

$$\text{Time taken by } P \text{ to complete the work alone} = (2 \times 24/70) \times 100 = 68.6 \text{ days}$$

$$\text{Time taken by } Q \text{ to complete the work alone} = (24 + 4.8)/30 \times 100 = 96 \text{ days}$$

$$\text{Required difference} = 96 - 68.6 = 27.4 \text{ days}$$

Hence answer is option B

### 35) Answer: A

According to the question,

Riya withdraws 37.5% of capital after 5 months, so she left with 62.5% of capital which is same as 60% of initial capital of Ramesh

So,  $5/8 \times$  Riya initial investment =  $3/5 \times$  Ramesh initial Capital

Ratio of Ramesh and Riya's initial investment = 25:24

So, ratio of profit =  $(25 \times 4 + 3/4 \times 25 \times 8) : (24 \times 5 + 5/8 \times 24 \times 5) = 50:39$

So profit share of Ramesh =  $[50 / (50 + 39)] \times 58740 = \text{Rs. } 33000$

Hence answer is option A

## IBPS PO MAINS Memory based Paper Held on 4<sup>th</sup> Feb 2021

**Direction (1 – 3):** Read the following information carefully and answer the questions based on it.

A train is going from station S1 to S2 via Station S3 and S4 on Day 1 and Day 2. The average speed of train on day 1 and day 2 is 150 km/h and 187.5 km/h and the time taken by train to go from S1 to S3 on day 1 is 3 hours less than day 2. Time taken by train to go from S3 to S4 on both the days is same. Time taken by train to go from S4 to S2 on day 2 is 9 hours less than that on day 1. The distance between S4 and S2 is 66.66% more than the distance between S1 and S3. The distance between S3 and S4 is 10% less than the distance between S4 and S2.

**1) Find the time taken by train to cover the distance from station S1 to station S2 on day 2?**

- a) 30 hours
- b) 16 hours
- c) 24 hours
- d) 32 hours
- e) Can't be determined

**2) Find the difference between the distance from station S1 to S3 and distance from station S4 to S2?**

- a) 720 km
- b) 480 km
- c) 630 km
- d) 640 km



e) None of these

**3) On day 1, the speed of train between stations S4 and S2 and between stations S3 and S4 is in the ratio of 2:3 and the time taken to cover the distance from S3 to S4 is 6 hours less than the time taken to travel from station S4 to S2. Find the speed of the train while travelling from S4 to S2?**

- a) 80 km/h
- b) 120 km/h
- c) 40 km/h
- d) 60 km/h
- e) None of these

**Direction (4 – 9): Read the following information carefully and answer the questions based on it.**

The following table gives partial information about the number of students pursuing Masters from the Indian Institute of Management, Ahmedabad (IIM A). Students are categorized as engineers and non – engineers based on their graduation background.

Total students = total male students + total female students

City	% of engineers	Number/% of male engineers out of total engineers	Number/% of male non – engineers out of non-engineers	Total number of female
Delhi	68%	2448	25%	1968
Mumbai	88%	75%	41.66%	-
Bangalore	92%	3588	62.5%	-
Assam	80%	68.75%	37.5%	-
Calcutta	78%	1896	40%	2208

**4) In Mumbai, the number of male students is how much % more/less than the number of female students?**

- a) 143.82%
- b) 142.82%
- c) 145.82%
- d) 144.82%
- e) None of these

**5) Find the total number of students belongs to Calcutta?**

- a) 4800
- b) 5000
- c) 4500
- d) 5200
- e) None of these

**6) Find the difference between the total male students belongs to Delhi and the number of male engineers belongs to Bangalore?**

- a) 776
- b) 786
- c) 754
- d) 766
- e) None of these

**7) For Bangalore, engineering female students pursuing masters in two branches Marketing and Finance. The difference between the number of females pursuing masters in Marketing and Finance is 132. The number of females pursuing masters in Finance is 200% more than the number of male non engineers.**

Find the total number of students who belongs to Bangalore?

- a) 4800
- b) 6000
- c) 5400
- d) 6400
- e) None of these

8) For Assam, if the difference between total male students and female students is 3300, find the number of female non – engineers in Assam?

- a) 1950
- b) 1650
- c) 3300
- d) 1750
- e) None of these

9) Find the difference between the number of male engineers and the number of female engineers in Delhi?

- a) 1622
- b) 1672
- c) 1632
- d) 1682
- e) None of these

**Direction (10 – 12):** Read the following information carefully and answer the questions based on it.

In a college, there are two streams, A and B. The number of girls in stream B is 90 more than thrice the number of girls in stream A and the

number of boys in stream B is 50% of the sum of the total number of students in stream A.

10) If the number of girl students in stream B is 360 and the total number of students in stream B is 90 less than twice the number of students in stream A, then find the number of boys in stream B?

- a) 150
- b) 180
- c) 120
- d) 200
- e) None of these

11) Find the difference between the sum of 200% of the number of boys in stream A and girls in stream A and the number of girls in stream B?

- a) 120
- b) 240
- c) 180
- d) 150
- e) Can't be determined

12) Find the value of  $(X - Y)$ , where

$X = 300\%$  of the number of boys in stream A + number of boys in stream B

$Y =$  number of girls in stream A + number of girls in stream B

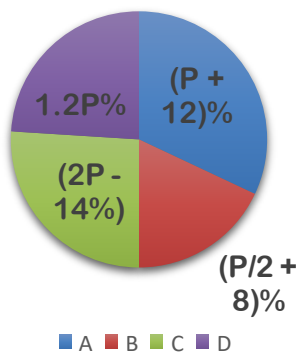
- a) 330
- b) 450
- c) 320
- d) 230
- e) Can't be determined

**Directions (13 – 15):** Read the following information carefully and answer the questions based on it.

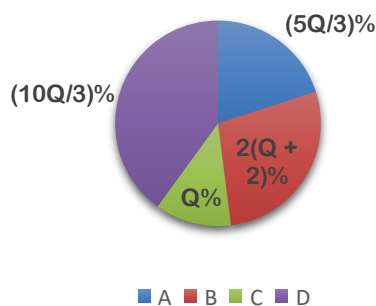
The following given pie charts give information about the percentage distribution of the total number of chocolates manufactured by the four different companies and % distribution of white chocolates manufactured by the four companies.

Total number of chocolates manufactured = Brown chocolates + White chocolates.

**% Distribution of total number of chocolates manufactured**



**% Distribution of number of White Chocolates Manufactured**



**Note:** Number of brown chocolates in companies B and D is 3040 and 3520 respectively.

**13) Find the ratio of the total number of white Chocolates and the total number of Brown chocolates manufactured by all companies together respectively?**

- a) 4:7
- b) 6:7
- c) 5:4
- d) 9:7
- e) None of these

**14) Find the central angle that corresponds to brown chocolates related to company C, if data of all companies related to brown chocolates arranged in a pie chart?**

- a) 137.85°
- b) 129.60°
- c) 129.75°
- d) 136.85°
- e) None of these

**15) Find the number of brown chocolates manufactured by company A is approx. how much % more or less than the number of brown chocolates manufactured by company C?**

- a) 12.9%
- b) 13.7%
- c) 12.7%
- d) 12.5%
- e) 13.2%

**Direction (16 – 21):** Read the following information carefully and answer the questions based on it.

The line graph given below shows the % of managers in a company out of the total number of employees in that company and the table is given below shows the number of female managers in a company.



Company	Female Managers
A	52
B	104
C	36
D	80
E	36
F	90

16) If the number of male managers in company C is 144 and the number of females in company C is 360, then find the number of male employees other than managers is how much % more than the number of male managers in that company?

a) 225%

- b) 180%
- c) 275%
- d) 75%
- e) None of these

17) In company A, if the difference between the number of managers and the number of non – managers is 196, then find the number of male managers in that company?

- a) 36
- b) 56
- c) 46
- d) 42
- e) None of these

18) Ratio of male managers and female managers in company F is 5:3 respectively, then find the number of non – manager employees in company F?

- a) 630
- b) 560
- c) 420
- d) 660
- e) None of these

19) If the number of employees other than managers in company D is 574, then find the number of male managers in company D?

- a) 46
- b) 44
- c) 36
- d) 56
- e) None of these

20) Number of male managers in company E is 'K' more than the number of female managers in company E. Find the total employees in E, where  $K = 75\%$  of the number of female managers in the company?

- a) 875
- b) 625
- c) 725
- d) 825
- e) None of these

21) In company B, the number of females is 60% of total employees and the number of female employees other than the manager is 40% of the number of employees other than the manager. Find the number of employees in company B other than the manager?

- a) 340
- b) 320
- c) 360
- d) 400
- e) None of these

22) A Number series is given to you as below:

701, 349, 173, 85, 41, 19, 8, 2.5

X is the  $n$ th term of the given series and Y is the  $(n + 1)$ th term of the same series.

Find which of the following statement is/are true in the context of the given number series.

- I.  $X = 2Y + 3$
- II. Difference between the first term and second term is twice the difference between the second and third term and so on.
- III.  $Y = 3X + 2$

- a) Only I
- b) II and III only
- c) I and III only
- d) I and II only
- e) I, II and III

23) A number series given below as I. A second number series as II having first term same as the wrong term of the series I. Find 3<sup>rd</sup> term of series II?

Series I. 3, 7, 22, 95, 479, 2879

- a) 541
- b) 571
- c) 561
- d) 551
- e) None of these

Direction (24 – 25): In the following question two number series I and II are given to you. In each number series, there is a wrong term. You are expected to find the logic of the series and identify the wrong term then answer the question accordingly.

Series I. 18, 20, 25, 35, 52, 78, 114

Series II. 80, 320, 1120, 3360, 8400, 16400, 25200

24) In series II, if N is the wrong term, then find which of the following statement(s) is/are true?

- I.  $(N/400)$  is a prime number
  - II.  $(N + 500)$  is a perfect square
  - III. When N is divided by 27, the remainder is a prime number
- a) I only
  - b) I and II only

- c) III only
- d) I, II and III
- e) None of these

25) If N is the wrong Number in series I, then find what minimum number must be added to N to make it perfect square?

- a) 14
- b) 8
- c) 9
- d) 11
- e) None of these

26) There are some green balls, some blue balls and 7 red balls in the bag. The probability of picking one green ball is  $\frac{1}{7}$  more than that of picking one red ball. The probability of picking one blue ball is  $\frac{9}{35}$  more than that of the probability of picking one red ball. Find the total number of blue balls in the bag?

- a) 16
- b) 14
- c) 12
- d) 18
- e) None of these

27) Samantha born 4 years after the marriage of their parents, Samantha's mother is 4 years younger than Samantha's father. At present Samantha is 20 years younger than his mother. After 4 years ratio of ages of her parents is in 7:8. How many years before his parents got married?

- a) 12 years

- b) 8 years
- c) 16 years
- d) 10 years
- e) None of these

**Direction (28 – 29):** In each of the following questions three statements I, II and III are given to you. You have to decide which statement(s) is/are sufficient to answer the question.

28) Scheme 'A' offers an R% rate of interest on compound interest. Find the value of R?

**Statement I:** If the interest received on  $\frac{2P}{5}$  sum of money invested for 11 years at  $0.25R\%$  interest on SI is half of amount P invested in scheme A for 2 years.

**Statement II:** If X is invested in scheme A for 2 years and amounts to Rs. 3600. If Rs.  $\frac{16X}{25}$  is invested at  $(R - 10)\%$  on CI for 2 years, it amounts to Rs. 1936.

**Statement III:** Difference between interests on Rs. Q invested in Scheme A for two years and three years is Rs. 1152.

- a) Only I
- b) Only I or II
- c) Only I or III
- d) Any two statements are required
- e) None of the statement is sufficient to answer

29) An article is marked up at a certain rate above the cost price. Find the marked price of the article (i.e) Rs. K.

**Statement I.** K is marked at 80% above cost price.



**Statement II:** The cost price of the article is Rs.

P. If the shopkeeper gives a discount of 4%, then he makes a profit of 8%. If he sells the article at the marked price, then profit is Rs. 28

**Statement III:** The cost price of the Pen is Rs.

Q. Shopkeeper makes a profit of Rs. 56, if he gives a discount of 22.22%

- a) II or (I + III)
- b) Only II
- c) Combination of any two statements
- d) Only III
- e) Any of the statements alone is not sufficient to answer the question.

**Direction (30 – 31):** There are 6 quantities given to you, three in each box, Box 1 and Box 2. Find the perfect match between the quantities of boxes according to the situation given to you.

**Box 1:**

I. The volume of the toy is  $1232 \text{ cm}^3$ , cone consists of cone X, surmounted by a hemisphere.

II. Volume of cylinder Y is  $1848 \text{ cm}^3$

III. A circle is inscribed in a square S.

**Box 2:**

IV. Radius = 14 cm

V. Radius = 7 cm

VI. Circumference of circle = 44 cm

**30) If the difference between the height of Y and the side of S is greater than 20 cm, find which of the following given match(s) is/are true.**

Match P: II-VI

Match Q: II – V

Match R: II-IV

- a) Match P and R only
- b) Match P only
- c) Match R only
- c) Match Q only
- e) Match Q and R only

**31) If the height of X is greater than Radius of Y, then find which of the following match is true?**

- a) I – V only, II-IV, III-IV only
- b) I – V or I – VI, II – IV or II – V, III – IV or III – V or III - VI
- c) I – V or I – VI, II – IV, III – IV or III – V or III - VI
- d) I – VI, II – IV or II – V, III – IV or III – V or III - VI
- e) None of these

**Direction (32 – 34):** A person is going market from his home with a speed of P km/h and in Q hours. After reaching the market, he purchases a cylindrical jar of a certain height having a capacity equal to 83259 cubic cm. There is a conical vessel whose capacity is  $\frac{1}{27}$ th of the cylindrical jar and the height of the cone is 14 cm. The height of the conical vessel is 300% more than the cylinder.

**32) Find the ratio of the radius of the cylindrical jar to the radius of the conical vessel.**

- a) 6:1
- b) 3:2
- c) 4:3
- d) 5:2



e) None of these

**33) If the distance between home and market is numerically equal to seven more than  $1/3^{\text{rd}}$  of the square root of  $1/11^{\text{th}}$  of the capacity of cylindrical jar and speed of person is 300% more than the time taken by a person to reach the market, then find the value of P.**

- a) 40 km/h
- b) 18 km/h
- c) 36 km/h
- d) 12 km/h
- e) None of these

**34) If the distance between home and market is numerically equal to the seven more than  $1/3^{\text{rd}}$  of the square root of  $1/11^{\text{th}}$  of the capacity of cylindrical jar and speed of person is 300%**

**more than the time taken by a person to reach the market, then find the value of Q.**

- a) 6 hours
- b) 3 hours
- c) 9 hours
- d) 12 hours
- e) None of these

**35) The product of two positive integers is 616. If the ratio of difference of their cubes to the cube of their difference is 157:3, then find 50% of the sum of two numbers.**

- a) 50
- b) 75
- c) 12.5
- d) 25
- e) None of these

### Answer with Detail Explanation

**Directions (1 – 3):**

Average Speed of train on day 1 = 150 km/h

Average Speed of train on day 2 = 187.5 km/h

Let the time taken by train to go from S1 to S3 on day 1 = a hours

So, time taken by train to go from S1 to S3 on day 2 = (a + 3) hours

Let the time taken by train to go from S3 to S4 on day 1 = day 2 = b hours

Let the time taken by train to go from S4 to S2 on day 1 = c hours

So, time taken by train from S4 to S2 on day 2 = (c – 9) hours

Distance between S4 and S2 is 66.66% more than distance between S1 and S3. Distance between S3 and S4 is 10% less than distance between S4 and S2

So ratio of distance from (S1 to S3), (S3 to S4) and (S4 to S2) = 6:9:10

We know, average speed = total distance/total time

Distance travelled in both the days is same, so

$$150 \times (a + b + c) = 187.5 \times (a + 3 + b + c - 9)$$

$$4 \times (a + b + c) = 5 \times (a + b + c - 6)$$

$$4 \times (a + b + c) = 5 \times (a + b + c) - 30$$

$$\text{So, } (a + b + c) = 30$$

So time is taken by train to travel the distance from S1 to S2 on day 1 = 30 hours

**1) Answer: C**

According to the question,

Time taken by train to go from S1 to S2 on day

$$2 = (a + 3 + b + c - 9)$$

$$= (a + b + c) - 6$$

$$= 30 - 6 = 24 \text{ hours}$$

Hence answer is option C

**2) Answer: A**

We already know,

The ratio of the distance from (S1 to S3), (S3 to S4) and (S4 to S2) = 6:9:10

Time is taken by train to travel the distance from S1 to S2 on day 1 = 30 hours

Average speed on day 1 = 150 km/h

So, total distance =  $150 \times 30 = 4500 \text{ km}$

Distance between S1 and S3 =  $[6 / (6 + 9 + 10)] \times 4500 = 1080$

Distance between S4 and S2 =  $[10 / (6 + 9 + 10)] \times 4500 = 1800$

Required difference =  $1800 - 1080 = 720 \text{ km}$

Hence answer is option A

**3) Answer: B**

According to the question,

The speed of the train between stations S4 and S2 and between stations S3 and S4 is in the ratio of 2:3.

The ratio of the distance from (S1 to S3), (S3 to S4) and (S4 to S2) = 6:9:10

So the ratio of time taken from (S4 to S2) and (S3 to S4) =  $10/2 : 9/3 = 5:3$

Difference of time = 6 hours

So time is taken by train to go from S4 to S2 = 15 hours

Total distance travelled by train =  $150 \times 30 = 4500 \text{ km}$

Distance between S4 and S2 =  $10/25 \times 4500 = 1800 \text{ km}$

Required speed =  $1800/15 = 120 \text{ km/h}$

Hence answer is option B

**4) Answer: D**

**For Mumbai,**

Let the total number of students studying in IIM A from Mumbai =  $100a$

Number of engineers = 88% of  $100a = 88a$

Number of non-engineers =  $100a - 88a = 12a$

Number of male engineers = 75% of  $88a = 3/4 \times 88a = 66a$

Number of female engineers =  $88a - 66a = 22a$

Number of male non engineers = 41.667% of  $12a = 5/12 \times 12a = 5a$

Number of female non engineers =  $12a - 5a = 7a$

Total number of male students =  $(66a + 5a) = 71a$

Total number of female students =  $(22a + 7a) = 29a$

Required % of change =  $(71a - 29a)/29a \times 100 = 144.82\%$

Hence answer is option D

**5) Answer: C**

According to the question,

Let the total Population =  $100a$

Number of engineers = 78% of  $100a = 78a$   
 Number of non-engineers =  $100a - 78a = 22a$   
 Number of male engineers = 1896  
 Number of female engineers =  $78a - 1896$   
 Number of male non engineers = 40% of  $22a = 8.8a$   
 Number of female non engineers =  $22a - 8.8a = 13.2a$   
 Total number of female = 2208  
 So,  $78a - 1896 + 13.2a = 2208$   
 $91.2a = 2208 + 1896$   
 So,  $a = 4104/91.2 = 45$   
 So total number of students belongs to Calcutta  
 $= 100a = 4500$   
 Hence answer is option C

**6) Answer: E**

**For Delhi,**

Let total population of Delhi =  $100a$   
 Number of engineers = 68% of  $100a = 68a$   
 Number of non-engineers =  $100a - 68a = 32a$   
 Number of male engineers = 2448  
 Number of female engineers =  $68a - 2448$   
 Number of non – engineers male = 25% of  $32a = 8a$   
 Number of non-engineers female =  $32a - 8a = 24a$   
 Total number of females = 1968  
 So,  $68a - 2448 + 24a = 1968$   
 $92a = 4416$   
 So,  $a = 48$   
 So, total number of male students =  $2448 + 8a = 2832$

Number of male engineers belongs to Bangalore = 3588  
 Required difference =  $3588 - 2832 = 756$   
 Hence answer is option E

**7) Answer: B**

**For Bangalore,**

Let total population =  $100a$   
 Number of engineers =  $92a$   
 Number of non-engineers =  $100a - 92a = 8a$   
 Number of male engineers = 3558  
 Number of female engineers =  $92a - 3588$   
 Number of male non - engineers = 62.5% of  $8a = 5a$   
 Number of female non engineers =  $8a - 5a = 3a$   
 Number of females pursuing masters in Finance = 300% of  $5a = 15a$   
 Number of females pursuing masters in Marketing =  $(92a - 3588) - 15a = 77a - 3588$   
 Now,  
 $(77a - 3588) - 15a = 132$   
 $62a = 3588 + 132 = 3720$   
 So,  $a = 3720/62 = 60$   
 So, total students belongs to Bangalore =  $100a = 100 \times 60 = 6000$   
 Hence answer is option B

**8) Answer: B**

**For Assam,**

Let the total population =  $320a$   
 Number of engineers = 80% of  $320 = 256a$   
 Number of non – engineers =  $320a - 256a = 64a$

Number of male engineers = 68.75% of 256a = 176a

Number of female engineers = 256a – 176a = 80a

Number of male non engineers = 37.5% of 64a = 24a

Number of female non engineers = 64a – 24a = 40a

Now,

$$(176a + 24a) - (80a + 40a) = 3300$$

$$80a = 3300$$

$$\text{So, } a = 3300/80 = 330/8$$

$$\text{So number of female non-engineers} = 40a = 40 \times 330/8 = 1650$$

Hence answer is option B

### 9) Answer: C

For Delhi,

Let total population of Delhi = 100a

Number of engineers = 68% of 100a = 68a

Number of non-engineers = 100a – 68a = 32a

Number of male engineers = 2448

Number of female engineers = 68a – 2448

Number of non – engineers male = 25% of 32a = 8a

Number of non-engineers female = 32a – 8a = 24a

Total number of females = 1968

$$\text{So, } 68a - 2448 + 24a = 1968$$

$$92a = 4416$$

$$\text{So, } a = 48$$

$$\text{So, number of female engineers} = 68a - 2448 = 816$$

$$\text{Required difference} = 2448 - 816 = 1632$$

Hence answer is option C

### 10) Answer: A

According to the question,

Number of girls in stream B = 360

The number of girls in stream B is 90 more than thrice the number of girls in stream A

$$\text{So, } 3 \times \text{number of girls in stream A} + 90 = 360$$

$$\text{So, number of girls in stream A} = 270/3 = 90$$

Total number of students in stream B is 90 less than twice the number of students in stream A.

$$2 \times (\text{boys in A} + \text{Girls in A}) - 90 = (\text{boys in B} + \text{girls in B})$$

$$2 \times (\text{boys in A} + 90) - 90 = (\text{boys in B} + 360)$$

$$2 \times \text{boys in A} - \text{boys in B} = 270 \dots \dots \dots (1)$$

Number of boys in stream B is 50% of the sum of the total number of students in stream A.

$$\text{So, boys in B} = 1/2 \times (\text{boys in A} + 90)$$

$$\text{Boys in A} - 2 \times \text{boys in B} = -90 \dots \dots \dots (2)$$

On solving both equations,

$$3 \times \text{boys in B} = 270 + 180$$

$$\text{Boys in B} = 450/3 = 150$$

Hence answer is option A

### 11) Answer: D

Let the number of boys and girls in stream A is 'a' and 'b' respectively.

$$\text{So number of boys in stream B} = (a + b)/2$$

$$\text{Number of girls in stream B} = (3b + 90)$$

Total number of students in stream B is 90 less than twice the number of students in stream A.

$$2 \times (a + b) - 90 = (3b + 90) + (a + b)/2$$

$$4a + 4b - 180 = 6b + 180 + a + b$$

$$3a - 3b = 360$$

$$(a - b) = 120$$

$$\text{We need to calculate} = 2 \times a + b - (3b + 90) =$$

$$2(a - b) - 90$$

$$\text{So required value} = 2 \times 120 - 90 = 150$$

Hence answer is option D

### 12) Answer: A

Let the number of boys and girls in stream A is 'a' and 'b' respectively.

$$\text{So number of boys in stream B} = (a + b)/2$$

$$\text{Number of girls in stream B} = (3b + 90)$$

Total number of students in stream B is 90 less than twice the number of students in stream A.

$$2 \times (a + b) - 90 = (3b + 90) + (a + b)/2$$

$$4a + 4b - 180 = 6b + 180 + a + b$$

$$3a - 3b = 360$$

$$(a - b) = 120$$

$$\text{We need to calculate} = [3a + (a + b)/2] - [b + 3b + 90]$$

$$= (7a - 7b - 180)/2$$

$$= 7/2 \times (a - b) - 90$$

$$= 7/2 \times 120 - 90$$

$$= 330$$

Hence answer is option A

### Directions (13 – 15):

According to the given information,

$$(P + 12 + P/2 + 8 + 2P - 14 + 1.2P)\% = 100\%$$

$$4.7P = 94$$

$$P = 20$$

$$\text{Similarly, } (5Q/3 + 2Q + 4 + Q + 10Q/3)\% = 100\%$$

$$8Q = 96$$

$$Q = 12$$

Let total number of Chocolates and total number of white chocolates manufactured by all companies together is 100a and 100b respectively

Total number of brown chocolates in company B = 3040

$$(P/2 + 8)\% \text{ of } 100a - (2Q + 4)\% \text{ of } 100b = 3040$$

$$18a - 28b = 3040 \dots\dots (1)$$

Total number of brown chocolates in company D = 3520

$$(1.2P)\% - (10Q/3)\% = 3520$$

$$24a - 40b = 3520 \dots\dots (2)$$

On solving both equations we get

$$\text{Value of } a = 480 \text{ and } b = 200$$

Total number of chocolates manufactured = 100a = 48000

Total number of white chocolates manufactured 100b = 20000

Now we can find the data for all companies, calculated in the table below:

Company	Total Chocolates	White Chocolates	Brown Chocolates
A	15360	4000	11360
B	8640	5600	3040
C	12480	2400	10080
D	11520	8000	3520
Total	48000	20000	28000

### 13) Answer: E

According to the question,

Total number of white chocolates = 20000

Total number of brown chocolates = 28000

Required ratio = 20000: 28000 = 5:7

Hence answer is option E

**14) Answer: B**

Total number of brown chocolates = 28000

Brown chocolates manufactured by company C

$$= (10080/28000) \times 360^\circ = 129.60^\circ$$

Hence answer is option B

**15) Answer: C**

Number of brown chocolates manufactured by company A = 11360

Number of brown chocolates manufactured by company C = 10080

$$\text{Required \% change} = [(11360 - 10080)/10080] \times 100 = 12.7\%$$

Hence answer is option C

**16) Answer: E**

**For company C,**

Number of male managers = 144

Number of female managers = 36

Total managers in company = 20% of total employees in a company

$$\text{So, total employees in the company} = (144 + 36)/20 \times 100 = 900$$

Number of female employees = 360

Number of male employees = 900 – 360 = 540

Number of male employees other than manager = 540 – 144 = 396

$$\text{Required \% change} = (396 - 144)/144 \times 100 = 175\%$$

Hence answer is option E

**17) Answer: C**

**For company A,**

Number of managers in company = 25% of total employees in a company

Number of non-managers in company = 75% of total employees in a company

Now,

$$(75\% - 25\%) \text{ of total employees in company} = 196$$

$$\text{So, total employees in the company} = 196/50 \times 100 = 392$$

$$\text{Number of managers in company} = 25\% \text{ of } 392 = 98$$

$$\text{So, number of male managers in company} = 98 - 52 = 46$$

Hence answer is option C

**18) Answer: B**

Number of female managers in the company = 90

$$\text{So, number of male managers in company} = 5/3 \times 90 = 150$$

$$\text{Total managers in company} = (90 + 150) = 240$$

Number of managers in company = 30% of total employees

Number of non – managers = 70% of total employees

$$\text{So, number of non – managers in company} = 240/30 \times 70 = 560$$

Hence answer is option B

**19) Answer: A**

Number of managers in company D = 18% of total employees

Number of non – managers = 82% of total employees

So, total employees in the company =  $574/82 \times 100 = 700$

Number of managers = 18% of 700 = 126

Number of male managers = 126 – 80 = 46

Hence answer is option A

**20) Answer: D**

Number of female managers in company E = 36

So, number of male managers in company E =

$36 + 75\% \text{ of } 36 = 63$

Total managers in company =  $63 + 36 = 99$

So, total employees in company E =  $99/12 \times$

$100 = 825$

Hence answer is option D

**21) Answer: A**

Let the total number of employees in the company B =  $100a$

Number of female = 60% of  $100a = 60a$

Number of male =  $40a$

Number of managers = 15% of  $100a = 15a$

Number of non – managers =  $100a - 15a = 85a$

Number of female other than manager = 40% of  $85a = 34a$

So number of female managers =  $60a - 34a = 26a$

So,  $26a = 104$

So value of  $a = 104/26 = 4$

So number of employees in company =  $100a = 400$

Number of employees other than manager = 85% of  $400 = 340$

Hence answer is option A

**22) Answer: D**

**Statement I:**

The given series is

701, 349, 173, 85, 41, 19, 8, 2.5

If  $X = 701$  and  $Y = 349$

Then  $701 = 2 \times 349 + 3$  (follow)

If  $X = 349$  and  $Y = 173$

Then,  $349 = 2 \times 173 + 3 = 349$

Check for other terms also, it will follow the same pattern.

This statement is true

**Statement II:**

Difference between the first term and second term is twice the difference between the second and third term and so on.

So, the difference between the first term and the second term = 352

Difference between second term and third term =  $349 - 173 = 176$

So,  $2 \times 176 = 352$  (follow)

If the first term is 349,

Difference between first term and second term =  $349 - 173 = 176$

Difference between second term and third term =  $173 - 85 = 88$

$2 \times 88 = 176$  (follow)

If first term is 173

Difference between first term and second term =  $173 - 85 = 88$

Difference between second term and third term =  $85 - 41 = 44$

$2 \times 44 = 88$  (follow)

If first term is 85,



Difference between first term and second term =  
 $85 - 41 = 44$

Difference between second term and third term  
 $= 41 - 19 = 22$

$2 \times 22 = 44$  (follow)

If first term is 41

Difference between first term and second term =  
 $41 - 19 = 22$

Difference between second term and third term  
 $= 19 - 8 = 11$

$2 \times 11 = 22$  (follow)

If first term is 19,

Difference between first term and second term =  
 $19 - 8 = 11$

Difference between second term and third term  
 $= 8 - 2.5 = 5.5$

$2 \times 5.5 = 11$  (follow)

This statement is true.

**Statement III:**

$X = 701, Y = 349$

$Y = 3X + 2$ , will not follow, because Y is always less than X.

This statement is not true

Only I and II are true.

Hence answer is option D

**23) Answer: D**

**Series I:**

$3 \times 2 + 1 = 7$

$7 \times 3 + 2 = 23$

$23 \times 4 + 3 = 95$

$95 \times 5 + 4 = 479$

$479 \times 6 + 5 = 2879$

Wrong term is 22

**Series II:**

$22 \times 2 + 1 = 45$

$45 \times 3 + 2 = 137$

$137 \times 4 + 3 = 551$

Hence answer is option D

**24) Answer: D**

**Series II:**

$80 \times 4 = 320$

$320 \times 3.5 = 1120$

$1120 \times 3 = 3360$

$3360 \times 2.5 = 8400$

$8400 \times 2 = 16800$

$16800 \times 1.5 = 25200$

So the value of N = 16400

**Statement I.** value of  $(N/400) = 16400/400 = 41$   
 (Prime number)

This statement is true

**Statement II:**  $(N + 500) = (16400 + 500) = 16900 = (130)^2$

This statement is true

**Statement III:**  $(N/27) = 16400/27 = 27 \times 607 + 11$

Remainder is 11, so this statement is true.

All statements are true.

Hence answer is option D

**25) Answer: E**

**Series I:**

18    20    25    35    52    78    115

2    5    10    17    26    37

3    5    7    9    11

Value of N = 114

$$114 + 7 = 121$$

Hence answer is option E

**26) Answer: A**

Let the number of green balls and blue balls in the bag is 'a' and 'b' respectively.

According to the question,

$$a/\text{total balls} - 7/\text{total balls} = 1/7$$

$$7a - 49 = \text{total balls} \dots\dots\dots (1)$$

Also,

$$b/\text{total balls} - 7/\text{total balls} = 9/35$$

$$35b - 245 = 9 \times \text{total balls} \dots\dots\dots (2)$$

On comparing both equations

$$63a - 441 = 35b - 245$$

$$63a - 35b = 196$$

$$9a - 5b = 28 \dots\dots\dots (3)$$

$$\text{Also, total balls} = (a + b + 7)$$

$$\text{So, } 7a - 49 = a + b + 7$$

$$6a - b = 56 \dots\dots\dots (4)$$

On solving 3 and 4, we get

$$7b = 112$$

$$\text{So, } b = 16$$

Number of blue balls in the bag = 16

Hence answer is option A

**27) Answer: B**

According to the question,

At present Samantha is 20 years younger than his mother. That means when Samantha was just born, the age of her mother was 20 years and her father was 24 years.

The age of parents at the time of marriage was 20 years and 16 years respectively.

The ratio of ages of parents after 4 years is in the ratio of 7:8. That means the ages of their parents after 4 years will be 28 years and 32 years.

So the present age of her parents is 24 years and 28 years respectively.

$$\text{Present age of Samantha} = 24 - 20 = 4 \text{ years}$$

So her parents married before 8 years

Hence answer is option B

**28) Answer: B**

**Statement I:**

According to the given statement,

$$\text{Simple interest earned} = 2P/5 \times R/400 \times 11 = 0.011PR$$

$$\text{Compound interest earned on } P = P \times [(1 + R/100)^2 - 1]$$

Now,

$$P \times [(1 + R/100)^2 - 1] = 0.011PR \times 2$$

$$2R + R^2/100 = 2.2R$$

$$R^2/100 = 0.2R$$

$$\text{So } R = 20\%$$

This statement is sufficient to answer the question.

**Statement II:**

X is invested in scheme A for 2 years and amounts to Rs. 3600.

Rs.  $16X/25$  is invested at  $(R - 10)$  % on CI for 2 years, it amounts to Rs. 1936

$$\text{So, } 3600 = X [(100 + R)/100]^2 \dots\dots\dots (1)$$

$$\text{Also, } 1936 = \frac{16X}{25} [(100 + R - 10)/100]^2 \dots\dots\dots (2)$$

On dividing both equations

$$3600/1936 = \frac{25}{16} \times \frac{(100 + R)^2}{(90 + R)^2}$$

$$60/44 = \frac{5}{4} \times \frac{(100 + R)}{(90 + R)}$$

$$1100 + 11R = 1080 + 12R$$

$$R = 20\%$$

This statement is alone sufficient to answer the question.

**Statement III:**

We don't know about the value of Q. So we can't calculate R.

This statement is not sufficient to answer the question

Hence answer is option B

**29) Answer: A**

Statement I alone is not sufficient to answer the question.

**Statement II:**

$$108\% \text{ of } P = 96\% \text{ of } K$$

$$P/K = 8/9$$

If he sells the article at the marked price then profit is Rs. 28

$$\text{Then, } (9 - 8) \text{ units} = 28$$

$$\text{Then value of } K = 28 \times 9 = \text{Rs. } 252$$

This statement is sufficient to answer the question.

**On combining (I + III),**

Mark up % is 80%

$$\text{So } Q/K = 5/9$$

Discount is 22.222%

$$\text{So ratio of } SP/K = 7/9$$

$$\text{So, } CP: SP: MRP = 5:7:9$$

Profit is Rs. 70

$$\text{So } 2 \text{ units} = \text{Rs. } 56$$

$$1 \text{ unit} = 28$$

$$\text{So required value of } K = 28 \times 9 = \text{Rs. } 252$$

This combination of the statement is sufficient to answer the questions.

Statement II alone or statement (I + III) is sufficient to answer the question.

Hence answer is option A

**30) Answer: C**

$$\text{Volume of cylinder} = 1848 \text{ cm}^3$$

$$22/7 \times r^2 \times \text{height} = 1848$$

In quantity VI, circumference = 44 cm

$$\text{So radius} = 7 \text{ cm}$$

$$\text{If radius} = 14 \text{ cm}$$

$$\text{Then side of square} = 2 \times 14 = 28 \text{ cm}$$

$$\text{Then height of cylinder} = (7/22 \times 1848) / (14 \times 14) = 3 \text{ cm}$$

So the difference between the height and side of the square is more than 20. This will satisfy the condition

$$\text{If radius} = 7 \text{ cm}$$

$$\text{Side of square} = 14 \text{ cm}$$

$$\text{Then height of cylinder} = (7/22 \times 1848) / (7 \times 7) = 12 \text{ cm}$$

So the difference between the height and side of the square is less than 20. This will not satisfy the condition.

So the correct match is II-IV.

Hence answer is option C

### 31) Answer: C

The volume of toy = 1232 cm<sup>3</sup>

If radius = 7 cm

$$\frac{1}{3} \times \frac{22}{7} \times 7 \times 7 \times \text{height of cone} + \frac{2}{3} \times \frac{22}{7} \times 7^3 = 1232$$

$$\frac{22}{7} \times 7^2 \times (\frac{1}{3}) \times (\text{height of cone} + 14) = 1232$$

Height of cone = 10 cm

If radius = 14 cm, then the height of the cone becomes negative

Hence answer is option C

### 32) Answer: A

According to the question,

Volume of cylinder =  $\frac{22}{7} \times (\text{radius of cylinder})^2 \times \text{height of cylinder}$

Volume of cone =  $\frac{1}{3} \times \frac{22}{7} \times (\text{radius of cone})^2 \times \text{height of cone}$

Now,

$$27 \times \frac{1}{3} \times \frac{22}{7} \times (\text{radius of cone})^2 \times 4 \times \text{height of cylinder} = \frac{22}{7} \times (\text{radius of cylinder})^2 \times \text{height of cylinder}$$

$$\text{Radius of cone/radius of cylinder} = \frac{1}{6}$$

Required ratio = 6:1

Hence answer is option A

### 33) Answer: D

$$\text{Distance between home and market} = 7 + \frac{1}{3} \times (\frac{1}{11} \times 83259)^{1/2} = 36$$

Speed of person = 4 x time taken

$$\text{So } 36 = \text{time} \times 4 \times \text{time taken}$$

Time = 3 hours = Q

$$\text{Numerical value of P} = 4 \times 3 = 12 \text{ km/h}$$

Hence answer is option D

### 34) Answer: B

The required value of Q = 3 hours

Hence answer is option B

### 35) Answer: D

Let the two numbers be 'a' and 'b'

$$\text{So, } a \times b = 616$$

$$\text{Also, } (a^3 - b^3) / (a - b)^3 = 157/3$$

$$= (a^2 + a \times b + b^2) / (a^2 + b^2 - 2ab)$$

$$\text{Put } a^2 + b^2 = K$$

$$\text{So, } (K + 616) / (K - 2 \times 616) = 157/3$$

$$\text{So, value of } K = 1268$$

$$\text{Value of } a^2 + b^2 = 1268$$

$$\text{Or } a^2 + b^2 + 2ab = 1268 + 2ab$$

$$(a + b)^2 = 1268 + 2 \times 616 = 2500$$

$$\text{So, value of } (a + b) = 50$$

$$\text{Required value} = 50\% \text{ of } 50 = 25$$

Hence answer is option D

## RRB Office Assistant MAINS Memory based Paper Held on 20<sup>th</sup> Feb 2021

1) Ani and Bindu sold a Radio both marked the same price on the Radio. Ani gives a successive discount of 20% and 16% and Bindu

gives a successive discount of 30% and 6%.

Which of the following is true?

a) Ani makes profit of 32.8%

- b) Bindu offers better discount than Ani
- c) Selling price of Radio by Ani is equal to the selling price of Radio by Bindu
- d) Bindu makes a loss
- e) Ani offers better discount than Bindu

2) A, B and C is a positive number in which  $A = B^2/C$ . If B is 20% increased and C is 60% increased, then which of the following option is true?

- a) A is unchanged
- b) A is 10% increased
- c) A is 10% decreased
- d) A is 15% increased
- e) Cannot be determine

**Directions (3-8): Study the following information carefully and answer the questions given below.**

The given table shows the sum of the number of males and females and the ratio of the number of males to females in five different buildings in January.

Building	Sum of number of male and female	Male: Female
<b>A</b>	80	5:3
<b>B</b>	110	15:7
<b>C</b>	120	11:13
<b>D</b>	100	3:2
<b>E</b>	105	11:10

3) There is another building F in which the number of people who live is 20% more than

the number of people lives in building A. In F, there are 10 flats in which 2 people live in each flat, 10 flats in which 3 people live in each flat, 5 flats in which 4 people live in each flat and the remaining flat there is one person live in each flat. Find the number of flat in building F?

- a) 51
- b) 48
- c) 96
- d) 68
- e) 75

4) Find the average number of females in building B, C and E?

- a) 60
- b) 40
- c) 30
- d) 50
- e) 35

5) Number of males in February in A is equal to the average number of males in January in B and C and the number of females in February in A is 5 more than the number of males in February in that building. Find the total of number of people in February in A?

- a) 130
- b) 140
- c) 135
- d) 145
- e) 150

6) Number of females in D is what percent more or less than the number of female in E?

- a) 10%
- b) 20%
- c) 15%
- d) 25%
- e) 30%

7) In February, 20% of the male of building C is left and no new person comes to live in building C. If the ratio of male and female in February in C is 4:5, then find the number of the female left in C in February?

- a) 10
- b) 20
- c) 15
- d) 25
- e) None of these

8) Ratio of the number of people who live in E and G is 21:24 and the number of males in G is  $\frac{2}{3}$  of the number of females in G, then find the number of males in G?

- a) 45
- b) 48
- c) 52
- d) 56
- e) 60

9) Rounak invested in two schemes. Scheme A (gives 10% per annum at simple interest) and scheme B (gives 10% per annum compound interest). In Scheme B Rounak invested Rs.500 more than that of in scheme A. After 2 years, amount received from scheme B is Rs.620 more than the amount received from scheme A,

then find the sum Rounak invested in scheme B?

- a) 1500
- b) 2000
- c) 3000
- d) 2500
- e) None of these

10) Navya spends one-fourth of her salary on EMI and  $\frac{2}{5}$  of the remaining on monthly bills and the rest is divided between her mother and father in the ratio of 3:2. If the difference between the EMI and the amount of mother is Rs.840, then find the salary of the Navya?

- a) Rs.40000
- b) Rs.50000
- c) Rs.42000
- d) Rs.45000
- e) Rs.48000

Directions (11-16): What approximate value should come in the place of (?) in the following questions.

11)  $448/3 + 11.99 * 4.01 = ?$

- a) 197
- b) 203
- c) 188
- d) 217
- e) 192

12)  $144.031 + 1449.01 + 39.06 = ?$

- a) 1620
- b) 1626
- c) 1632

- d) 1645  
e) 1651

13)  $14.998 * 6.02 * ? = 1979$

- a) 22  
b) 25  
c) 28  
d) 33  
e) 18

14)  $\sqrt{?} * 8.01 + 4.99\% \text{ of } 239 = 52$

- a) 20  
b) 25  
c) 30  
d) 35  
e) 40

15)  $(41.99 + 98.05)/(12.01 - 4.99) = ?$

- a) 15  
b) 20  
c) 25  
d) 30  
e) 40

16)  $(80\% \text{ of } 501 - 40.09)/6.01 = ?$

- a) 40  
b) 45  
c) 50  
d) 55  
e) 60

17) For a construction of a 12 km road project there are 100 number of workers, the project should be completed in 15 days. 100 workers

started the work and after 9 days there is only 5 km of the project is completed. Find the number of workers required to complete the project on time?

- a) 210  
b) 190  
c) 90  
d) 110  
e) None of these

**Directions (18-23):** Study the following information carefully and answer the questions given below.

Burger and pizza are sold by two companies A and B on Monday and Sunday. The number of burgers sold by A on Monday is 20% more than the number of pizzas sold by A on Monday. The number of burgers sold by A on Monday is equal to the number of burgers sold by B on Monday. The number of pizzas sold by B on Monday is half of the number of burgers sold by B on Monday.

Number of burgers sold by A on Sunday is equal to the number of pizzas sold by B on Sunday. Number of pizzas sold by A on Sunday is 40 more than the number of burgers sold by A on Sunday. Average number of pizzas sold by A and B on Monday is 120 and average number of pizzas sold by A and B on Sunday is 84.

18) Number of burgers sold by A on Sunday is what % of the number of pizzas sold by A on Monday?

- a) 33.33%  
b) 42.67%



- c) 38.18%
- d) 47.19%
- e) 55.55%

19) Find the difference between the number of pizzas sold by A on Monday and the number of pizzas sold by B on Monday?

- a) 60
- b) 80
- c) 45
- d) 55
- e) 50

20) Had the number of burgers sold by B on Sunday is 50% of the number of pizzas sold by B on Sunday, then find the ratio of the number of burgers sold by B on Monday and that of Sunday?

- a) 45:8
- b) 40:7
- c) 23:4
- d) 11:2
- e) None of these

21) Find the sum of burgers and pizzas sold by A on Monday?

- a) 360
- b) 272
- c) 276
- d) 330
- e) None of these

22) Based on the given data which of the following is true?

a) Number of burgers sold by A on Sunday is 80% of the number of pizzas sold by A on Sunday.

b) Number of burgers sold by B on Monday is equal to the number of pizzas sold by B on Sunday

c) Sum of the number of burgers sold by A and B on Monday is equal to 360

d) Number of pizzas sold by B on Sunday is 6 more than the number of burgers sold by B on Monday

e) None of these

23) Number of veg burgers sold by A on Sunday is 40% of the number of veg burgers sold by A on Monday. If the number of non-veg burgers sold by A on Sunday is 28 more than the number of veg burgers sold A on Sunday, then find the number of veg burgers sold by A on Monday and Sunday together?

- a) 58
- b) 61
- c) 63
- d) 53
- e) None of these

24) A, B and C started the business, the investment of B is twice the investment of A and investment of C is equal to the sum of investment of A and B, the investment time of B is twice of the investment time of A, the investment time of C is 6 month less than the investment time of B. If the profit of the ratio of

B and C is 8:3, then find for how many months did A invest?

- a) 3
- b) 4
- c) 5
- d) 6
- e) Cannot be determined

**Directions (25-29): Find out the wrong number in the following number series.**

**25) 56, 70, 50, 64, 44, 60, 38**

- a) 60
- b) 38
- c) 70
- d) 64
- e) 50

**26) 6, 17, 49, 149, 446, 1337, 4010**

- a) 149
- b) 1337
- c) 49
- d) 4010
- e) 446

**27) 5, 16, 29, 46, 63, 88, 117**

- a) 29
- b) 117
- c) 63
- d) 46
- e) 88

**28) 1000, 992, 965, 901, 776, 556, 217**

- a) 217
- b) 556

- c) 901
- d) 992
- e) 776

**29) 10, 6, 3.5, 5, 16, 120, 1904**

- a) 6
- b) 1904
- c) 16
- d) 5
- e) 120

**30) Ram has a watch whose cost price is Rs.900, he marked his watch at certain price and give a certain discount. If the profit % and the discount % of the watch is equal and the marked price of the watch is Rs.1100, then find the profit of the watch?**

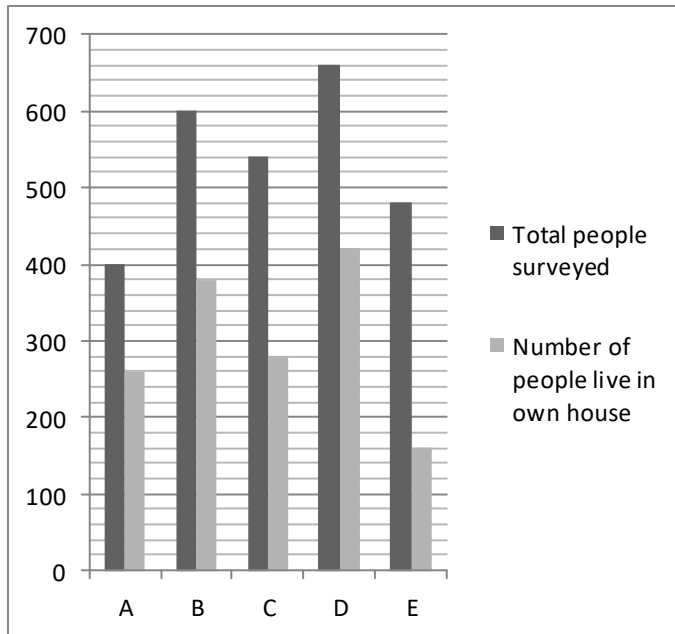
- a) 90
- b) 110
- c) 130
- d) 100
- e) 80

**31) There are three Jars A, B and C of the same capacity. A is filled with half of its capacity, B is filled with 1/3 of its capacity and C is empty. If the liquid from A and B is divided between A, B and C equally, then find the portion of Jar C is filled?**

- a) 1/6
- b) 5/16
- c) 2/9
- d) 5/6
- e) 5/18

**Directions (32-37):** Study the following information carefully and answer the questions given below.

The given bar graph shows the total number of people surveyed in five cities A, B, C, D and E and the number of people who lived in their own houses.



Note: Total people surveyed = Number of people live in their own house + Number of people live in the rent house

**32)** People live in a rent house in F is equal to the sum of  $\frac{2}{3}$  of people live in rent in D and  $\frac{3}{8}$  of people live in rent in E. If the people live in their own house in F is 10% more than the people who live in rent in F, then find the number of people surveyed in F?

- a) 592
- b) 584
- c) 588
- d) 612
- e) 605

**33)** Ratio of the number of males and females in B is 8:7. If  $\frac{2}{5}$  of the female live in a rent house, then find the percentage of males in B live in rent house out of the total surveyed people in B?

- a) 18%
- b) 20%
- c) 22%
- d) 27%
- e) 36%

**34)** People live in that own house in C are living in flat and villa. The ratio of people live in flats and villa in C among the people live in their own house is 17:1 and the ratio of people live in villa and banglow in C among the people live their own house is 3:2, then find the number of people live in a villa in C among the people live in that own house?

- a) 12
- b) 10
- c) 18
- d) 15
- e) 22

**35)** Number of people who live in a rent house in D is how much percentage more than the numbers of people live in a rent house in A?

- a) 68.12%
- b) 71.42%
- c) 51.89%
- d) 42.76%
- e) 82.12%

36) Among people surveyed in B, 100 people live in municipal zone and the rest live in the residential, commercial zone and industrial zone, the number of people who live in the residential zone is 60 more than the number of people who live in the commercial zone, then find the maximum possible number of people live in the residential zone? (Note: At least one person live in each zone)

- a) 219
- b) 279
- c) 281
- d) 288
- e) 198

37) People live in a rented house in A in which 15% people live in kuccha house and the remaining live in the pucca house. Find the difference between the number of people who live in their own house in A and the number of people who live in rent in pucca house in A?

- a) 141
- b) 94
- c) 125
- d) 137
- e) 152

38) Length of floor is 3 feet more than breadth of floor. Even after length is increased by 3 feet

and breadth is reduced by 2 feet, area becomes unchanged. Find the area of the floor?

- a) 150
- b) 172
- c) 220
- d) 180
- e) 160

39) Difference between the unit place and tens place of a two digit number is 5. If the number is multiplied by 4 and decreased by 3 its digit is interchanged, find the two digit number?

- a) 16
- b) 61
- c) 49
- d) 27
- e) 38

40) Age of A 6 years ago is equal of B 18 years ago. Age of A 18 years ago is equal to the present age of C. If D is 8 years older than C, then find how much B is older or younger than D?

- a) 22 years elder
- b) 22 years younger
- c) 18 years older
- d) 18 years younger
- e) Cannot be determine

### Answer with Detail Explanation

1) Answer: B

Marked price of Radio =  $100x$

SP of radio sold by Ani =  $100x * \frac{80}{100} * \frac{84}{100} = 67.2x$

SP of radio sold by Bindu =  $100x * 70/100 * 94/100 = 65.8x$

Compare the selling price of radio sold by Bindu and Ani, Bindu offers better discount than Ani.

**2) Answer: C**

$$A = 120B * 120B/16000C$$

$$A = 144B^2/160C$$

$$A = 9B^2/10$$

Therefore, A is decreased by 10%

**Directions (3-8):**

Building	Total	Male	Female
A	80	50	30
B	110	75	35
C	120	55	65
D	100	60	40
E	105	55	50

**3) Answer: A**

$$\text{Number of person live in F} = 120/100 * 80 = 96$$

$$10 \text{ flats in which 2 people live in each flat} = 10 * 2 = 20$$

$$10 \text{ flats in which 3 people live in each flat} = 10 * 3 = 30$$

$$5 \text{ flats in which 4 people live in each flat} = 4 * 5 = 20$$

$$\text{Remaining people} = 96 - 20 - 30 - 20 = 26$$

$$\text{Total number of flat} = 10 + 10 + 5 + 26 = 51$$

**4) Answer: D**

$$\begin{aligned} \text{Required average} &= (35 + 65 + 50)/3 \\ &= 50 \end{aligned}$$

**5) Answer: C**

$$\text{Number of male in February in A} = (75 + 55)/2 = 65$$

$$\text{Number of female in February in A} = 65 + 5 = 70$$

$$\text{Required total} = 65 + 70 = 135$$

**6) Answer: B**

$$\begin{aligned} \text{Required percentage} &= (50 - 40)/50 * 100 \\ &= 20\% \end{aligned}$$

**7) Answer: A**

$$\text{Number of male after left in C} = 55 - (20/100 * 55) = 44$$

$$\text{Final Number of female in C} = 5/4 * 44 = 55$$

$$\text{Number of female left in C} = 65 - 55 = 10$$

**8) Answer: B**

$$\text{Ratio of Number of male and female in G} = 2:3$$

$$\text{Number of male in G} = 2/5 * (24/21 * 105) = 48$$

**9) Answer: B**

$$\text{Amount invested in scheme A} = x$$

$$\text{Amount invested in scheme B} = x + 500$$

$$\text{Amount received from scheme A} = x + (x * 10 * 2)/100 = 1.2x$$

$$\text{Amount received from scheme B} = (x + 500) * (1 + 10/100)^2$$

$$= 1.21x + 605$$

$$1.21x + 605 - 1.2x = 620$$

$$x = 1500$$

Amount invested in scheme B =  $1500 + 500 =$   
Rs.2000

**10) Answer: C**

Salary of Navya =  $x$

EMI =  $\frac{1}{4} * x = \frac{x}{4}$

Monthly bills =  $(x - \frac{x}{4}) * \frac{2}{5} = \frac{3x}{10}$

Mother =  $(x - \frac{x}{4}) * \frac{3}{5} * \frac{3}{5} = \frac{27x}{100}$

$\frac{27x}{100} - \frac{x}{4} = 840$

$2x = 84000$

$x = 42000$

**11) Answer: A**

$\frac{448}{3} + 11.99 * 4.01 = ?$

$149 + 48 = ?$

$? = 197$

**12) Answer: C**

$144.031 + 1449.01 + 39.06 = ?$

$? = 1632$

**13) Answer: A**

$14.998 * 6.02 * ? = 1979$

$90 * ? = 1980$

$? = 22$

**14) Answer: B**

$\sqrt{?} * 8.01 + 4.99\% \text{ of } 239 = 52$

$\sqrt{?} * 8 + 12 = 52$

$\sqrt{?} = 5$

$? = 25$

**15) Answer: B**

$(41.99 + 98.05)/(12.01 - 4.99) = ?$

$20 = ?$

**16) Answer: E**

$(80\% \text{ of } 501 - 40.09)/6.01 = ?$

$360/6 = ?$

$? = 60$

**17) Answer: D**

$100 * \frac{9}{5} = ((100 + x) * (15 - 9))/(12 - 5)$

$210 = 100 + x$

$x = 110$

**Directions (18-23):**

Number of pizzas sold by A on Monday =  $5x$

Number of burgers sold by A on Monday =  $5x * \frac{120}{100} = 6x$

$120/100 = 6x$

Number of burger sold by B on Monday =  $6x$

Number of pizza sold by B on Monday =  $6x/2 = 3x$

Number of burger sold by A on Sunday =  $y$

Number of pizza sold by B on Sunday =  $y$

Number of pizza sold by A on Sunday =  $y + 40$

Number of pizza sold by A and B on Monday =  $120 * 2 = 240$

Number of pizza sold by A and B on Sunday =  $84 * 2 = 168$

$5x + 3x = 240$

$x = 30$

Number of pizzas sold by A on Monday =  $5 * 30 = 150$

Number of burgers sold by A on Monday =  $5x * \frac{120}{100} = 6 * 30 = 180$

Number of burgers sold by B on Monday =  $6 * 30 = 180$

$$\begin{aligned} \text{Number of pizzas sold by B on Monday} &= 6x/2 = \\ &3 * 30 = 90 \end{aligned}$$

$$2y + 40 = 168$$

$$y = 64$$

$$\text{Number of burger sold by A on Sunday} = 64$$

$$\text{Number of pizza sold by B on Sunday} = 64$$

$$\begin{aligned} \text{Number of pizza sold by A on Sunday} &= 64 + 40 \\ &= 104 \end{aligned}$$

**18) Answer: B**

$$\begin{aligned} \text{Required percentage} &= 64/150 * 100 \\ &= 42.67\% \end{aligned}$$

**19) Answer: A**

$$\text{Required difference} = 150 - 90 = 60$$

**20) Answer: A**

$$\begin{aligned} \text{Number of burger sold by B on Sunday} &= 64/2 = \\ &32 \end{aligned}$$

$$\begin{aligned} \text{Required ratio} &= 180:32 \\ &= 45:8 \end{aligned}$$

**21) Answer: D**

$$\text{Required sum} = 150 + 180 = 330$$

**22) Answer: C**

**23) Answer: C**

$$\text{Number of veg burgers sold in A on Sunday} = x$$

$$\begin{aligned} \text{Number of non-veg burgers sold in A in Sunday} \\ &= x + 28 \end{aligned}$$

$$x + x + 28 = 64$$

$$x = 18$$

$$\begin{aligned} \text{Number of veg burgers sold by A on Monday} &= \\ &100/40 * 18 = 45 \end{aligned}$$

$$\text{Required total} = 45 + 18 = 63$$

**24) Answer: B**

$$\text{Investment of A} = x$$

$$\text{Investment of B} = 2x$$

$$\text{Investment of C} = x + 2x = 3x$$

$$\text{Investment period of A} = y$$

$$\text{Investment period of B} = 2y$$

$$\text{Investment period of C} = 2y - 6$$

$$(2x * 2y)/3x * (2y - 6) = 8/3$$

$$y = 4y - 12$$

$$y = 4$$

$$\text{Investment period of A} = 4 \text{ months}$$

**25) Answer: A**

$$\text{Alternative number difference is 6}$$

$$56 - 6 = 50$$

$$50 - 6 = 44$$

$$44 - 6 = 38$$

$$70 - 6 = 64$$

$$64 - 6 = 58$$

**26) Answer: C**

$$6 * 3 - 1 = 17$$

$$17 * 3 - 1 = 50$$

$$50 * 3 - 1 = 149$$

$$149 * 3 - 1 = 446$$

$$446 * 3 - 1 = 1337$$

$$1337 * 3 - 1 = 4010$$

**27) Answer: C**

$$5 + 11 = 16$$

$$16 + 13 = 29$$

$$29 + 17 = 46$$



$$46 + 19 = 65$$

$$65 + 23 = 88$$

$$88 + 29 = 117$$

**28) Answer: B**

$$1000 - 2^3 = 992$$

$$992 - 3^3 = 965$$

$$965 - 4^3 = 901$$

$$901 - 5^3 = 776$$

$$776 - 6^3 = 560$$

$$560 - 7^3 = 217$$

**29) Answer: A**

$$10 * 0.5 - 0.5 = 4.5$$

$$4.5 * 1 - 1 = 3.5$$

$$3.5 * 2 - 2 = 5$$

$$5 * 4 - 4 = 16$$

$$16 * 8 - 8 = 120$$

$$120 * 16 - 16 = 1904$$

**30) Answer: A**

$$1100 * (100 - x)/100 = 900 * (100 + x)/100$$

$$1100 - 11x = 900 + 9x$$

$$20x = 200$$

$$x = 10$$

$$\text{Profit of the watch} = 10/100 * 900 = 90$$

**31) Answer: E**

$$\text{Total capacity} = x$$

$$A = x/2$$

$$B = x/3$$

$$C = (x/2 + x/3)/3$$

$$= 5x/18$$

C is filled 5/18 of portion

**32) Answer: C**

$$\text{Number of people live in rent in F} = 2/3 * (660 - 420) + 3/8 * (480 - 160)$$

$$= 280$$

$$\text{Number of people live in own house in F} = 110/100 * 280 = 308$$

$$\text{Total number of people surveyed in F} = 308 + 280 = 588$$

**33) Answer: A**

$$\text{Number of female in rent house in B} = 7/15 * 600 * 2/5 = 112$$

$$\text{Number of male live in rent house in B} = (600 - 380) - 112 = 108$$

$$\text{Required percentage} = 108/600 * 100 = 18\%$$

**34) Answer: D**

Number of people live in flats, villa and banglow in C among people live in own house = 51:3:2

$$\text{Number of people live in a villa in C among people who live in their own house} = 3/56 * (280)$$

$$= 15$$

**35) Answer: B**

$$\text{Required percentage} = ((660 - 420) - (400 - 260))/(400 - 260) * 100 = 71.42\%$$

**36) Answer: B**

$$\text{Number of people live in residential, commercial and industrial zone} = 600 - 100 = 500$$

$$\text{Number of people live in commercial zone} = x$$

Number of people live in residential zone =  $x + 60$

If the number of person live in industrial zone is 2,  $x + x + 60 + 2 = 500$

$$x = 219$$

So, the number of people live in residential zone =  $219 + 60 = 279$  (maximum possible)

**37) Answer: A**

Number of people live in a rent house in A living in Pucca house =  $85/100 * (400 - 260) = 119$

$$\text{Difference} = 260 - 119 = 141$$

**38) Answer: D**

Breath =  $b$

Length =  $b + 3$

$$(b + 3) * b = (b + 3 + 3) * (b - 2)$$

$$b^2 + 3b = b^2 - 2b + 6b - 12$$

$$b = 12$$

Length = 15

$$\text{Area} = 12 * 15 = 180$$

**39) Answer: A**

From option,

$$16 * 4 = 64, \text{ interchange} = 61$$

$$\text{Difference} = 64 - 61 = 3$$

**40) Answer: A**

$$A - 6 = B - 18$$

$$A - B = -12 \text{ ----(1)}$$

$$A - 18 = C$$

$$D - C = 8$$

$$A - 18 = D - 8$$

$$A - D = 10 \text{ ----(2)}$$

From (1) and (2)

$$-B + D = -22$$

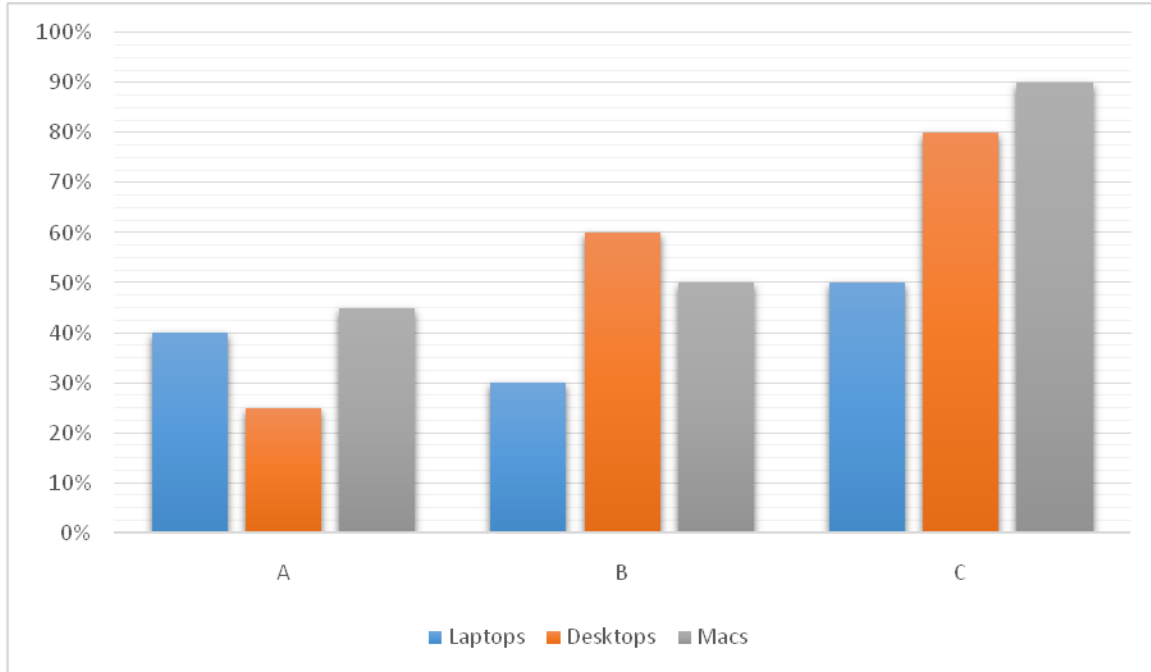
$$B - D = 22 \text{ years}$$

B is 22 years older than D

**SBI Clerk & IBPS RRB PO Mains 2021 Quantitative Aptitude Day – 1**

Direction (01 – 05): Read the following information carefully and answer the questions based on it. (based on RRB PO mains 2020)

The given bar graph shows the percentage of the Laptops, Desktops and Macs sold by company A, B and C out of the products manufactured by the companies.



1) If the number of laptops manufactured by company A, B and C is in the ratio of 4:3:6. The average number of laptops sold by all the companies is 1980, then find the number of laptops manufactured by company C?

- a) 6480
- b) 3240
- c) 4320
- d) 6380
- e) None of these

2) The difference between the number of Macs manufactured by company A and B is the same as that of the company B and C. If the number of Macs sold by company B and C is the same, then find the number of Macs manufactured by

the company A is what percentage of the company B. (A manufactured highest number of Macs and C manufactured the lowest number of Macs)

- a) 69.23%
- b) 133.33%
- c) 144.44%
- d) 125%
- e) None of these

3) If the number of Macs manufactured by the company A and B is 40% more than the number of Laptops manufactured by the company A and B. The average number of Macs sold by company A and B together is K more than the average number of laptops sold by company A

and B together. Then find the number of Laptops unsold by company B. Where,  $K = 800 + 11.5\%$  of the number of laptops manufactured by company A.

- a) 1200
- b) 4000
- c) 3500
- d) 2800
- e) Can't be determined

4) If the number of desktops sold by company B is 1728 and the number of Desktops manufactured by company B is 11.11% less than the number of desktops sold by company C. Find the number of desktops manufactured by company C?

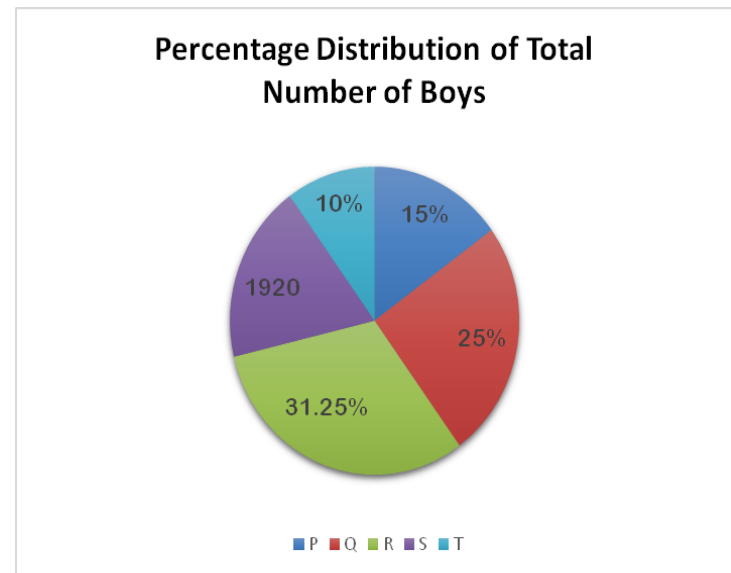
- a) 3240
- b) 4050
- c) 2880
- d) 3600
- e) None of these

5) If the sum of the desktops sold by company A and B is 2586 and the sum of the desktops sold by company A and C is 3930. If the number of desktops sold by company C is 87.5% more than that of company B, then find the number of desktops manufactured by company C?

- a) 4200
- b) 2560
- c) 1536
- d) 1050
- e) None of these

Direction (06 – 10): Read the following information carefully and answer the questions based on it. (based on RRB PO mains 2020)

The given pie chart shows the % distribution of the number of boys in five different schools. The given table shows the average number of boys and girls together in five different schools, % boys in Science stream out of the total boys in a particular School and % of the number of girls in commerce stream out of the total number of girls in that School. Consider, there are only two streams in the School – Science and Commerce.



School	Average of boys and girls together	% of boys in Science stream	% of girls in Commerce stream
P	1490	37.5%	75%
Q	2000	45%	41.667%
R	2775	56.25%	60%
S	1625	31.25%	40%
T	1250	28.125%	25%

6) Find the number of students in commerce stream of school R is how much% of the total number of students in school T?

- a) 114.18%
- b) 112.4%
- c) 111.08%
- d) 113.18%
- e) None of these

7) If the monthly tuition fees of a science stream student is Rs. 224 and a commerce stream student is Rs. 202. Then find the total revenue generated by school P in a month? (Consider all students deposited their monthly fees)

- a) Rs. 622876
- b) Rs. 621576
- c) Rs. 623576
- d) Rs. 622574
- e) None of these

8) Find the difference between the number of boys in the Commerce stream of school Q and the number of girls in the Science stream of school S?

- a) 710
- b) 510
- c) 620
- d) 640
- e) None of these

9) Find the total number of girls in science stream in all the schools together is approximately what percentage of the total number of students in all the schools together?

- a) 24%
- b) 21%
- c) 22%

- d) 25%
- e) 28%

10) Find the difference between the number of boys in the commerce stream and the number of girls in the science stream in all the schools together?

- a) 1788
- b) 1748
- c) 1678
- d) 1658
- e) None of these

**Direction (11 – 15):** Read the following information carefully and answer the questions based on it. (based on RRB PO mains 2020)

There are three buses A, B and C, some of the seats occupied by male passengers and the rest by female passengers. Each seat in the bus has been categorized into two types– Reserved (RSV) seat and non-Reserved (NRSV) seat. Each seat in the bus is either Red colour or Black colour. Only one passenger can sit in one seat and no seat in any bus is vacant.

**Bus A:** The ratio of the number of red seats and number of non-reserved seats is 12:5 respectively. The number of male passengers on RSV seats is 140% more than the number of females on NRSV seats. There are totally 80 passengers on RSV Seats out of this 20 are female passengers.

The average number of male passengers on NRSV seats and female passengers on RSV seats taken together is 17.5.

**Bus B:** The total seat in Bus B is thrice the total seats in Bus A and the total number of male passengers is 40 more than the female passengers. The total number of NRSV seats is 50% of the red colour seats. The total number of male passengers sit on reserved seats is 75% of the total male passengers. The number of female passengers sits on NRSV seats is 22.22% less than the number of female passengers sits on RSV seats.

**Bus C:** Number of female passengers sits on NRSV seats is 60% more than that of in bus A. Total reserved seats are 150% more than that of in bus A. There are 120 male passenger sits on reserved seats and the total number of non-reserved seats is 120 more than that of in Bus B. Respective ratio of the reserved seats and red seats is 5:7 respectively.

**11) Find the total number of males sitting on non-reserved seats in bus A and B together is approximately what % of the total number of females sitting on reserved seats in bus B and C together?**

- a) 34%
- b) 32%
- c) 38%
- d) 36%
- e) 40%

**12) In Bus C, the number of males sitting on black colour seats is 50% more than the number of females sitting on black colour seats and the ratio of the number of females sitting on black coloured non-reserved seats to the number of**

**females sitting on non-reserved seats is 3:5. Find the number of females sitting on Red coloured reserved seats?**

- a) 40
- b) 60
- c) 80
- d) 25
- e) None of these

**13) Find the difference between the total number of male passengers and female passengers in all three buses together?**

- a) 240
- b) 170
- c) 290
- d) 240
- e) None of these

**14) If there is another bus D, then the number of seats in bus D is 37.5% more than that of bus B and the number of red seats in bus D is 322. Find the average number of black colour seats in bus A, C and D together?**

- a) 129
- b) 139
- c) 109
- d) 119
- e) None of these

**15) Find the total number of red colour seats in all buses together is approximately how much % more than that of black colour seats?**

- a) 100%
- b) 103%

- c) 104%
- d) 101%
- e) 105%

**Directions (16 – 20):** What value should come in the place of (?) in the following number series?(based on RRB PO mains 2020)

**16) 20000, 4000, 1600, 960, (?), 768**

- a) 768
- b) 684
- c) 840
- d) 900
- e) None of these

**17) 93, 138, (?), 252, 321, 398**

- a) 211
- b) 181
- c) 171
- d) 191
- e) 201

**18) 24, 25, 26, 28, 34, (?)**

- a) 48
- b) 58
- c) 62
- d) 68
- e) None of these

**19) 48, 44, 94, 221, (?), 1520**

- a) 962
- b) 852
- c) 552
- d) 452
- e) None of these

**20) 229, 245, 281, (?), 445, 589**

- a) 345
- b) 335
- c) 325
- d) 375
- e) None of these

[Click Here to Get the Detailed Video Solution for the above given Questions](#)

Or Scan the QR Code to Get the Detailed Video Solutions



[Click Here to Get our Grand Bundle PDF Course to Access 40,000 Qus \(Eng+Hin\) with Video Solution](#)

**Website:**[www.guidely.in](http://www.guidely.in) | **Blog:**[www.ibpsguide.com](http://www.ibpsguide.com) | **Email:**[support@guidely.in](mailto:support@guidely.in)



**Answer Key with Explanation**
**Directions (1-5):**

Tabulate the Data for further Convenience,

Company	Laptops	Desktops	Macs
A	40%	25%	45%
B	30%	60%	50%
C	50%	80%	90%

**1) Answer: A**

Let, the number of laptops manufactured by company A, B and C is 40a, 30a and 60a respectively.

Number of laptops sold by company A = 40% of 40a = 16a

Number of laptops sold by company B = 30% of 30a = 9a

Number of laptops sold by company C = 50% of 60a = 30a

The total number of laptops sold by all the companies =  $1980 \times 3 = 5940$

Now,  $16a + 9a + 30a = 5940$

So, the value of a =  $5940/55 = 108$

The number of Laptops manufactured by company C =  $60a = 60 \times 108 = 6480$

**Hence, the answer is option A**

**2) Answer: C**

According to the Question,

$$A - B = B - C$$

$$A + C = 2B \text{ ----- (1)}$$

Also, 50% of B = 90% of C

$$B/C = 9x/5x \text{----- (2)}$$

From (1) and (2),

$$A + 5x = 2 \times 9x$$

$$A = 13x$$

$$\text{The required \%} = 13x/9x * 100 = 144.44\%$$

**Hence, the answer is option C**

**3) Answer: D**

Let, the number of Laptops manufactured by the company A and B is 100a and 100b respectively.

The number of Macs manufactured by company A and B is 140a and 140b respectively.

Now according to the question,

$$(45\% \times 140a + 50\% \text{ of } 140b)/2 - (40\% \times 100a + 30\% \times 100b)/2 = 800 + 11.5\% \text{ of } 100a$$

$$63a + 70b - 40a - 30b = 1600 + 23a$$

$$23a + 40b = 1600 + 23a$$

$$40b = 1600$$

So, the value of b = 40

Number of laptops manufactured by company B = 100b

Number of laptops sold by company B = 30b

Number of laptops unsold by company B =  $100b - 30b = 70b$

$$= 70 \times 40 = 2800$$

**Hence, the answer is option D**

**4) Answer: B**

The number of desktops sold by company B = 1728

The total number of desktops manufactured by company B

$$= 1728/60 * 100$$

$$= 2880$$

The number of desktops sold by company C =  $9/8 \times 2880 = 3240$

So, the number of desktops manufactured by company C =  $3240/80 \times 100 = 4050$

**Hence, the answer is option B**

### 5) Answer: E

According to the question,

Sum of the Desktops sold by company (A + B) = 2586 ---- (1)

Sum of the Desktops sold by company (A + C) = 3930 ---- (2)

From (1) and (2),

Desktops sold by company C – Desktops sold by company B = 1344

Also, Desktops sold by company C = 187.5% of desktop sold by the company B

So, 187.5 of the desktops sold by the company B – 100 of the desktop sold by company B =  $1344 \times 100$

Desktops sold by the company B =  $1344/87.5 \times 100 = 1536$

Desktops sold by the company C =  $187.5\% \text{ of } 1536 = 2880$

Desktops manufactured by the company C =  $2880/80 \times 100 = 3600$

**Hence, the answer is option E**

### Directions (06– 10):

Number of boys in School S =  $100\% - (15\% + 25\% + 31.25\% + 10\%)$

$1920 = 18.75\%$  of total number of boys

Total number of boys in all the schools together =  $1920/18.75 \times 100 = 10240$

Number of boys in school P =  $15\% \text{ of } 10240 = 1536$

Total number of students in P =  $2 \times 1490 = 2980$

Number of girls in P =  $2980 - 1536 = 1444$

Number of boys in Science Stream =  $37.5\% \times 1536 = 576$

Number of boys in Commerce Stream =  $1536 - 576 = 960$

Number of girls in Commerce Stream =  $75\% \text{ of } 1444 = 1083$

Number of girls in Science stream =  $1444 - 1083 = 361$

Similarly, we can find the data for all the schools

Schools	Total students	Number of boys	Number of girls	Number of boys in Science Stream	Number of boys in commerce stream	Number of girls in commerce stream	Number of girls in science stream
P	2980	1536	1444	576	960	1083	361
Q	4000	2560	1440	1152	1408	600	840
R	5550	3200	2350	1800	1400	1410	940
S	3250	1920	1330	600	1320	532	798
T	2500	1024	1476	288	736	369	1107
Total	18280	10240	8040	4416	5824	3994	4046

### 6) Answer: B

According to the Question,

The total number of students in school T = 2500

The total number of commerce students in school R =  $1400 + 1410 = 2810$

Required % =  $2810/2500 \times 100 = 112.4\%$

**Hence, the answer is option B**

### 7) Answer: D

The total number of students in science stream in school P =  $576 + 361$

= 937

The total number of students in commerce stream in school P

=  $960 + 1083 = 2043$

The total revenue generated by school P =  $937 \times 224 + 2043 \times 202$

= Rs. 622574

**Hence, the answer is option D**

**8) Answer: E**

The number of boys in Commerce stream of school Q = 1408

The number of girls in the Science stream of school S = 798

Required difference =  $1408 - 798 = 610$

**Hence, the answer is option E**

**9) Answer: C**

The total number of girls in science stream in all the schools together

= 4046

The total number of students in all the schools together

= 18280

Required % =  $4046/18280 \times 100 = 22\%$

**Hence, the answer is option C**

**10) Answer: E**

The number of boys in Commerce stream = 5824

The number of girls in the Science stream = 4046

Required difference =  $5824 - 4046 = 1778$

**Hence, the answer is option E**

**Directions (11 – 15):**

**Bus A:**

Total passengers on RSV seats = 80

Number of female passengers on RSV seats = 20

So, the number of male passengers on RSV seats =  $80 - 20 = 60$

Number of Male passengers on RSV seats is 140% more than the number of females on NRSV seats.

So, number of female passengers on NRSV seats =  $60/240 \times 100 = 25$

So, Male passengers on NRSV seats + female passengers on RSV seats =  $17.5 \times 2 = 35$

So, male passengers on NRSV seats =  $35 - 20 = 15$

The total male passengers = Males (RSV) + Females (NRSV) =  $60 + 15 = 75$

The total number of female passengers =  $20 + 25 = 45$

The total number of passengers or total seats in Bus A =  $75 + 45 = 120$

The ratio of number of red seats and number of non-reserved seats is 12:5.

The total number of non – reserved seats =  $25 + 15 = 40$

Number of red colour seats =  $12/5 \times 40 = 96$

Number of black colour seats =  $120 - 96 = 24$

**Bus B:**

The total seats in Bus B =  $3 \times 120 = 360$

Male passengers = 40 + female passengers

So, Female passengers + Female passengers + 40 = 360

Female passengers =  $320/2 = 160$

Male passengers =  $360 - 160 = 200$

The respective ratio of female passengers sits on NSRV seats and RSV seats = 7:9.

So, the number of female passengers sits on NRSV seats =  $7 / (7 + 9) = 7/16 \times 160 = 70$

Number of female passengers sits on RSV seats =  $160 - 70 = 90$

Number of male passengers sits on RSV seats = 75% of 200 = 150

Number of males sits in NRSV seats =  $200 - 150 = 50$

Number of NRSV seats is 50% of red colour seats.

Number of NRSV seats =  $70 + 50 = 120$

So, number of red colour seats =  $2 \times 120 = 240$

Number of black colour seats =  $360 - 240 = 120$

**Bus C:**

Number of female passengers on NRSV seats =  $160\% \times 25 = 40$

The total number of reserved seats = 250% of 80 = 200

Male passengers sits on reserved seats = 120

Females sits in reserved seats =  $200 - 120 = 80$

Number of non – reserved seats =  $120 + 120 = 240$

Number of male passengers sits on non – reserved seats =  $240 - 40 = 200$

Number of red colour seats =  $7/5 \times 200 = 280$

Total number of seats in bus =  $200 + 240 = 440$

Number of black colour seats =  $440 - 280 = 160$

Now tabulate all the calculated data for further convenience.

Buses	Male	Female	Males (RSV)	Female (RSV)	Male (NRSV)	Female (NRSV)	Red Seats	Black Seats
A (120)	75	45	60	20	15	25	96	24
B(360)	200	160	150	90	50	70	240	120
C (440)	320	120	120	80	200	40	280	160

**11) Answer: C**

Total number of males sitting on non-reserved seats in bus A and B together =  $15 + 50 = 65$

Total number of females sitting in reserved seats in bus A and C together =  $90 + 80 = 170$

Required % =  $65/170 \times 100 = 38\%$

**Hence, the answer is option C**

**12) Answer: A**

Total number of black colour seats = 160

Number of females sitting on black colour seats =  $2/5 \times 160 = 64$

Number of females Sitting on Red colour seats =  $120 - 64 = 56$

Number of females sitting on non – reserved seats = 40

Number of females sitting on black colour non - reserved seats =  $3/5 \times 40 = 24$

So, females sitting on red colour non-reserved seats =  $40 - 24 = 16$

Number of females sitting on red colour reserved seats =  $56 - 16 = 40$

**Hence, the answer is option A**

**13) Answer: E**

The total number of male passengers =  $75 + 200 + 320 = 595$

The total number of female passengers =  $45 + 160 + 120 = 325$

Required difference =  $595 - 325 = 270$

**Hence, the answer is option E**

**14) Answer: D**

The total number of seats in bus D =  $137.5\%$  of  $360 = 495$

Number of red colour seats in bus D =  $322$

So, the number of black colour seats in bus D =  $495 - 322 = 173$

Required average =  $(24 + 160 + 173)/3 = 119$

**Hence, the answer is option D**

**15) Answer: B**

The number of red colour seats in all buses together =  $96 + 240 + 280 = 616$

The number of black colour seats in all buses together =  $24 + 120 + 160 = 304$

Required % =  $(616 - 304)/304 \times 100 = 103\%$

**Hence, the answer is option B**

**16) Answer: A**

$20000 \times 20\% = 4000$

$4000 \times 40\% = 1600$

$1600 \times 60\% = 960$

$960 \times 80\% = 768$

$768 \times 100\% = 768$

**Hence, the answer is option A**

**17) Answer: D**

$7 \times 11 + 16 = 93$

$9 \times 13 + 21 = 138$

$11 \times 15 + 26 = 191$

$13 \times 17 + 31 = 252$

$15 \times 19 + 36 = 321$

$17 \times 21 + 41 = 398$

**Hence, the answer is option D**

**18) Answer: B**

$24 + 0! = 25$

$25 + 1! = 26$

$26 + 2! = 28$

$28 + 3! = 34$

$34 + 4! = 58$

**Hence, the answer is option B**

**19) Answer: C**

$48 \times 0.5 + 20 = 44$

$44 \times 1 + 50 = 94$

$94 \times 1.5 + 80 = 221$

$221 \times 2 + 110 = 552$

$552 \times 2.5 + 140 = 1520$

**Hence, the answer is option C**

**20) Answer: A**

$229 + 4^2 = 245$

$245 + 6^2 = 281$

$281 + 8^2 = 345$

$345 + 10^2 = 445$

$445 + 12^2 = 589$

**Hence, the answer is option A**

Dear Friends, this is the Special Paid Bundle PDF Course which was made because of the Hard work of Our Experts Team. This PDF Course consists of High-Standard Questions on Reasoning, Quants, English, Current Affairs Quiz, Static GK Quiz and Banking Awareness Quiz Exactly on Exam Level. Total 40,000 Questions and Course Duration is of 50 Days for each exam. If anyone got this PDF without purchasing it, kindly buy this PDF Officially using the link given below. This will encourage us to work harder to produce high quality content for you in upcoming days.

[Get Our Special Grand Bundle PDF Course for All Upcoming Bank Exams](#)



Dear Friends, this is the Special Paid Bundle PDF Course which was made because of the Hard work of Our Experts Team. This PDF Course consists of High-Standard Questions on Reasoning, Quants, English, Current Affairs Quiz, Static GK Quiz and Banking Awareness Quiz Exactly on Exam Level. Total 40,000 Questions and Course Duration is of 50 Days for each exam. If anyone got this PDF without purchasing it, kindly buy this PDF Officially using the link given below. This will encourage us to work harder to produce high quality content for you in upcoming days.

[Get Our Special Grand Bundle PDF Course for All Upcoming Bank Exams](#)

# Grand Bundle PDF Course 2021

Exams Covered:  
SBI Clerk | SBI PO | IBPS RRB PO |  
IBPS RRB Clerk | IBPS PO | IBPS Clerk

Separate PDF Course for All Major **Bank Pre + Mains** Exams

- Total No. of Ques.: **40,000+**
- Question in Bilingual (**Eng & Hindi**)
- Answers With Detailed **Video Solution**
- Provides you **50 days Study Planner** for each exams
- **Covers all types** of questions in each topic
- Questions in **Exact Exam Level**
- All Our PDFs are **Downloadable**
- **100% Satisfaction Assured** & It's Worthy for your money



### English Language

**Directions (1-5):** In each of the questions below, three sentences are divided into five parts which may or may not contain error. You are required to find out the pair of erroneous parts from the given options.

1.

I) Chief Justice Bobde, who read out the judgment, said the court found no reason to stall the sale of electoral bonds now. (a)/ The judgment came on an urgent application moved by NGO Association for Democratic Reforms, represented by (b)/ advocate Prashant Bhushan, to stay the sale scheduled between April 1 to 10. The NGO, (c)/ also represented by advocate Neha Rathi, voiced serious apprehensions that sale of electoral bonds before Assembly elections would (d)/ “further increase illegal and illicit funding of political parties through shell companies”.(e)

II) The woman in the Karnataka CD row has filed a complaint against former minister Ramesh Jarkiholi(a)/ with the Bengaluru police commissioner by her advocate, alleging that she fears for her safety. (b)/ The complaint was registered at Cubbon Park police station. The advocate said that the woman has sought protection and justice. (c)/ "The CD woman said I need protection and justice. We, through FB [Facebook], said we'll give her legal help. (d)/ She wrote a complaint and we got it. We have given it to [the] commissioner and need action," the advocate said. (e)

III) A day before the first-phase polling in the West

Bengal Assembly Election 2021, West Bengal chief (a)/ minister Mamata Banerjee targeted PM Narendra Modi and said: (b)/ “The industrial growth has been stopped in the country but the growth of beard is still on.” The chief minister added: (c)/ “Something is wrong with his brain. It seems his screw is loose. Sometimes he calls himself (d)/ Swami Vivekananda and Rabindranath Tagore while on the other hand, he renames stadiums on his name.” (e)

A. I-c, II-b, III-c

B. I-a, II-b, III-d

C. I-c, II-a, III-b

D. I-b, II-a, III-e

E. None of the above

2.

I) A brigade commander-level meeting between India and Pakistan was held on Friday at one of the sectors (a)/ along the Line of Control (LoC). The meeting was held to take forward the understanding reached between the two sides to abide with (b)/ the 2003 ceasefire agreement last month. In a discussion between the Director Generals of Military Operations (DGMOs) of India and Pakistan last month, the two sides (c)/ decided to implement the ceasefire agreement of 2003 to maintain peace at the borders. "After the DGMO understanding, a brigade commander-level flag meeting was held between Indian and Pakistan Army at Poonch Rawalakot Crossing Point (d)/ on Mar 26 to discuss implementation mechanism as per the

understanding," the Indian Army said. **(e)**

II) "Maritime and air transport are two central activities to global trade and mobility and play a vital role in global supply chains **(a)**/ and the provision of humanitarian aid. They also play a key role in global socio-economic recovery. **(b)**/ It is estimated that 4 lakh seafarers are currently stranded onboard commercial vehicles, **(c)**/ unable to be repatriated, while a similar number are unable to join the ships to replace them," **(d)**/ the WHO said in a joint statement issued with four other international organizations. **(e)**

III) The coronavirus pandemic has triggered devastated consequences for human life and the global economy. **(a)**/ Maritime and air transport are two essential activities that underpin global trade and mobility and are key to a sustainable socio-economic recovery. **(b)**/ More than 80 per cent of global trade by volume is moved by maritime transport. The global **(c)**/ economy depends on the world's 2 million seafarers who operate the global fleet of merchant ships. **(d)**/ Seafarers have been severely impacted by the travel restrictions imposed during the pandemic. **(e)**

- A. I-c, II-b, III-c
- B. I-a, II-b, III-d
- C. I-b, II-b, III-a
- D. I-b, II-a, III-e
- E. None of the above

3.

I) India is in the midst of a second wave of the Covid-19 pandemic. Considering the duration from the present level of daily **(a)**/new cases to the peak India saw last year, the country is expected to reach the high in the second half of April. The second wave, **(b)**/ which could last for the end of May, could see an addition of 25 lakh cases if trends till March 23 are taken into consideration. **(c)**/ These projections are part of findings of a State Bank of India (SBI) research report titled 'The second wave **(d)**/ of infections: The beginning of the end' by Chief Economic Advisor Soumya Kanti Ghosh. **(e)**

II) A district-wise analysis in the report revealed that cases have again started rising in the top 15 districts of India **(a)**/, mostly urban, while the spread in rural districts is almost stable. It says that cases are large **(b)**/localised and concentrated and while Rajasthan, Gujarat, Kerala, Uttarakhand, Haryana have **(c)**/ vaccinated more than 20 per cent of their elderly population, other states with a higher elderly population (>60 years) like **(d)**/ Punjab, Tamil Nadu, Andhra Pradesh, Maharashtra and West Bengal have vaccinated a lesser percentage. **(e)**

III) At least four people were killed in the Bangladeshi city of Chittagong on Friday after police fired rubber bullets at **(a)**/ protesters during a demonstration against the visit of Indian Prime Minister Narendra Modi, a police official said. "We had to **(b)**/ fire teargas and rubber bullets to disperse them as they entered a police station and carried out extensive vandalism,"

Rafiqul Islam, (c)/ the police official told Reuters, referring to protesters. Protests against Modi's visit were also flared out the capital Dhaka, (d)/ where dozens of people, including two journalists, were injured in clashes with police, witnesses said. (e)

- A. I-c, II-a, III-c
- B. I-a, II-b, III-d
- C. I-b, II-b, III-a
- D. I-c, II-b, III-d
- E. None of the above

4.

I) Two trains collided north of the city of Sohag in Egypt on Friday. In a statement, the Egyptian health ministry (a)/ said a rescue operation has been launched and authorities are on the scene. As many 36 (b)/ ambulances have been dispatched to the site. Casualties are being taken to (c)/ hospitals, the statement from the health ministry went on to say. Officials have confirmed the deaths of 32 passengers, (d)/ according to a report by Bloomberg. Egyptian media outlets peg the number of injured persons at 66. (e)

II) India is working to expand its military capabilities in space. For this purpose, the Defence Research and Development Organisation (DRDO) has (a)/ developed new sensors and satellites along with ground stations to aid defence forces in space. Efforts have been made to increase the country's (b)/ capabilities in space through the installation of sensors and satellites. This being possible due to the

creation of a (c)/ new body dedicated to space research within the structure of the DRDO, top government sources told India Today. (d)/ A space research agency was created under the DRDO in addition to the Military Defence Space Agency to develop military capabilities in space. (e)

III) In March 2019, India had conducted an Anti-Satellite Test to demonstrate its capability to shoot down satellites in space. (a)/ With this missile test, India had joined an elite club of four nations capable of doing the same. (b)/ The test also helped India develop deterrence capability against adversaries who may want to attack Indian (c)/ satellites to cripple systems in times of war. In addition to the creation of agencies for space and cyber warfare, the Government of India (d)/ has also laid emphasis on a Special Operations Division that can operate both inside and outside the country. (e)

- A. I-c, II-a, III-c
- B. I-b, II-c, III-d
- C. I-b, II-b, III-a
- D. I-c, II-b, III-d
- E. None of the above

5.

I) Prime Minister Narendra Modi on Friday received a warm welcome from the Indian community in the Sonargaon Hotel in Bangladesh's Dhaka (a)/. PM Modi is in Bangladesh for two days on his first foreign visit since the coronavirus outbreak. (b)/ Speaking to

India Today TV after meeting PM Modi, the exhilarated crowd chanted, "Bharat mataki jai. (c)/We love India, we love Modi!" Meera Menon from Kerala, who has been residing in Dhaka for the past (d)/ ten years said it was her dream come true moment. "What a personality. I am so happy," she said. (e)

II) An IFS officer was arrested on Friday for allegedly abetting the suicide of a woman colleague, a Range Forest officer, (a)/ who shot herself with a service weapon in Maharashtra's Amravati district. The IFS officer was arrested from (b)/ Nagpur railway station when he was about to board a train to his place in Bengaluru, police said. (c)/ The police arrested Vinod Shivkumar, deputy conservator of forest, Gugamal Wildlife Division of Melghat Tiger Reserve (MTR) in Chikhaldara, (d)/ from Nagpur Railway station in the morning hours, said Amravati superintendent of police (rural) Dr Hari Balaji N on Friday. (e)

III) The Supreme Court on Friday ordered the governments of Punjab and Haryana, and the Bhakra Beas Management Board (BBMB) to maintain (a)/ status quo on water supply to Delhi. The Supreme Court extended the status quo ordered on (b)/ Thursday till the next hearing, which would happen after the Holi holidays. "Water supply to Delhi should not be reduced," (c)/ the Supreme Court bench headed by Chief Justice of India SA Bobde said. The Supreme Court, thus, put the decision of Punjab, Haryana and (d)/ the BBMC to reduce the water supply to Delhi by one-fourth for repair in a canal that

carries Yamuna river water to Delhi from these two states. (e)

- A. I-c, II-a, III-c
- B. I-a, II-b, III-d
- C. I-b, II-c, III-a
- D. I-a, II-b, III-a
- E. None of the above

**Directions (6-10):** In each of the following questions, four words are highlighted in bold, and five options are given below. You are required to find out the correct pair of synonyms for the highlighted words from the given options.

6. Sonia Gandhi was invited to join the celebrations in Dhaka by Sheikh Hasina but couldn't travel due to Covid-19 related **diminutions**. In a video message, Gandhi lauded Bangladesh's effort on various fronts and said, "Over the past five decades, Bangladesh's **conspicuous** achievements in social development, community participation, eco growth and other areas has been very **stirring** and has received global **laurels**."

- A. Fetter, astounding, poignant, accolade.
- B. Stricture, ethos, impactful, fame.
- C. Proscription, epochal, dainty, rebound.
- D. Latitude, miraculous, doughty, quintessential.
- E. None of the above

Q7. The Centre had **mooted** in the top court that Maharashtra has the legislative **competence** for granting reservation to Marathas and its decision is Constitutional as the 102nd amendment does not

**denude** a state of the power to **blazon** its list of socially and Educationally Backward Classes (SEBC).

- A. Canvassed, capability, imbecile, flagrant
- B. Languid, endowment, denigrate, exhilarate
- C. Bandied, puissance, remotion, enunciate
- D. Agitated, volition, despise, acquit
- E. None of the above

8. “A home away from home, **spawn** a space that was comfortable yet **nurtured** creativity. Designing the office with a huge outdoor space was an interesting challenge for me. The ease and comfort to attend virtual meetings as well as creatively **brainstorming** for future projects at his office at Red Chillies office was my topmost **transcendence** for him,” she added.

- A. Conduce, snuffed, facile, moorings
- B. Impede, fostered, rapture, gaiety
- C. Quench, barred, primacy, mirth
- D. Effectuate, incubated, contrivance, superiority
- E. None of the above

9. New **mutations** of the coronavirus have spread in India, particularly in Maharashtra and Punjab. The two states have recorded some of the c increase in cases over the last month, with Maharashtra **bestowing** more than half the new cases recorded across the country daily. Health authorities have held off on concluding that the variants are responsible for the **surge**, but experts believe a **congruous** is likely, given what the world knows about Sars-CoV-2 mutations.

- A. Era, mustering, accelerate, scrutiny

- B. Distortions, contributing, skyrocket, resemblance
- C. Epoch, volunteering, accumulate, distortion
- D. Fluxes, vandalize, mount, correlation
- E. None of the above

10. In theory, a legislature is the most **sacred** space in a democracy. It is the ultimate body of the expression of popular will. It is a space for **colloquy**, for debate, for careful scrutiny of laws, and for law-making. And despite being on different sides, it is a space for the government and the Opposition to **brawl** each other — on issues, but within the **norms** of parliamentary conduct.

- A. Hallowed, symposium, affray, ethos
- B. Indict, deliberation, ruckus, ambit
- C. Spurious, argument, ruction, obfuscation
- D. Venerated, whopping, broil, compliance
- E. None of the above

**Directions (11-14):** In each of the following questions One word is highlighted in bold, and using that highlighted word four sentences are framed , in four sentences three will be synonyms for the highlighted word and one is an antonym for the word. You are required to find an antonym for the highlighted word.

11. **Churlish**

- A. The comedian’s jokes were so **boorish** that the only persons left in the audience were those who were too drunk to be insulted.
- B. The **sullen** student refused to follow the teacher’s instructions.
- C. The **couth** young lady handled herself well at the

formal dinner.

D. Despite having an **acrimonious** relationship with my boss, he respects my quality and punctuality of work.

E. None of the above

### 12. Cantankerous

A. My mother becomes **bilious** if you try to talk to her while she is watching her favorite serial.

B. If Radha were a bit more **amicable**, people would not be afraid to approach her.

C. When the staff learned their payments would be delayed, they displayed their **splenetic** natures by breaking the company owner's door.

D. Someone with a bad day may have a **surly** attitude if people around them are too loud.

E. None of the above

### 13. Recalcitrant

A. From her **obsequious** behavior, it was obvious Rani was smitten with her husband.

B. The **obstreperous** boys were asked to leave the cinema hall.

C. Because the **contumacious** girl refused to obey the principal's instructions, she was suspended from college.

D. It didn't take long for the army to discharge the **recusant** who stubbornly did not follow the rules of his captain.

E. None of the above

### 14. Parochial

A. The **sectarian** priest would not obey any laws that

contradicted his religious beliefs.

B. In her novel, the author contrasted two characters - one **provincial** woman from a small town and the other, a bubbly girl from a big city.

C. The hotel waiter hates to deal with customers who complain about **picayune** issues.

D. In order to be a well-rounded person, Lokesh enrolled in a **catholic** range of hobbies including painting, singing and cooking.

E. None of the above

### Directions (15-22): Read the following passage

carefully and answer the questions given below it.

Some of the words highlighted to locate you to answer the following questions.

The NPA crisis has been long in making and its genesis can be traced to events that happened in the past couple of decades especially the onset of the economic and financial market boom in the mid-2000s. In confluence with global trends, Indian economy entered the exuberant phase with economic growth surging to the 9%-10% range. The irrational exuberance of the Indian economy and the financial markets found its expression in the investment plans of the private non-financial corporate sector in India especially the manufacturing sector. India's Investment – GDP ratio (nominal terms) moved up from 26% in FY04 to 35% in FY08. This was financed by the inception of the biggest credit boom in the history of India – both non-food credit and credit to the Industry **segments doubling in a short span of three year from FY05 to FY08.**



Overall corporate indebtedness increased much further as they were beneficiaries of the sharp surge in capital inflows reaching the level of around 9% of the GDP in FY08. To summarize, the corporate sector leveraged itself to the hilt to take advantage of the perceived growth advantages afforded by a rapidly growing economy. However, the boom came to an end in FY08 as the **anticipated global credit overruns** in FY08 led to a change in the growth expectations. Concomitantly, companies were coming to terms with the fact that fresh investments in India were significantly more expensive than **bubble** due to the cost and time **bubble** in securing land and environmental clearances. The situation was further exacerbated by the significant increase in financing costs for the companies from FY11 onwards as the RBI switched from massive monetary easing post the global financial crisis to significant tightening to bring down the inflation from double-digit levels. Financing costs soared as the repo rate almost doubled from the low of 4.75% in September 2009 to a high of 8.5% in December 2011.

In parallel, there was significant rupee depreciation as average rates increased from an average level of low-40s in around FY08 to mid-50s by FY12 and mid-60s by FY16. A depreciation of the order of more than 50% over a span of a few years had a significant impact on the debt servicing ability of the over-extended corporate sector. The double whammy of adverse headwinds of rising costs, higher expenses, margin compression from FY08 onwards and sharp increase in

financing costs from FY10 onwards ensured that the debt servicing ability of the Indian corporate sector declined \_\_\_\_\_ (i) from FY13 onwards. However, this precipitous decline in debt servicing capability of the Indian corporate sector didn't translate into formal NPAs in the Indian financial system as the financial institutions resorted to restructuring and "Ever greening" of stressed assets to postpone the reckoning of higher NPAs. However, Asset Quality Review (AQR) exercise by RBI from 2016 onwards laid bare the true nature of the delinquency state of the Indian financial system. There is significantly more to the NPA story that casually meets the eye as the relative performance of various segments (as measured by size, type of lending institution, region etc.) is divergent in nature. The interplay of the exogenous factor of contrasting NPA performance and the endogenous response of the Banking sector to limit the future impact through portfolio allocations is leading to significant changes in the industry. These cyclical changes (temporary) may become structural (long lasting) if the NPA story continues to play out along the trends that we have seen in the previous financial year for a few more years.

RBI's guideline on increasing the NPA recognition time to 180 days from currently 90 days for banks and 120 days for NBFCs aims at giving a much needed boost to the MSME sector post the launch of GST. It couples with the recent budget announcement on tax-relief for the MSME sector. While the new RBI guideline aims at supporting credit access to the



MSME sector, many are unclear about the exact benefit of this guideline to MSME borrowers and the banks. Transunion CIBIL has attempted to ascertain the benefit of the guideline by identifying who are the impacted MSME borrowers. Though, RBI definition to classify MSME is based on GST registration till 31st Jan 2018 and aggregate credit exposure not exceeding Rs 25 crores. The study is based only on the credit exposure criteria with an assumption that all the eligible MSME borrowers are GST registered by 31st Jan 2018.

**15. Which of the following is not true as per the above passage?**

1. Corporate indebtedness increased much further as they were beneficiaries of the sharp surge in capital inflows reaching the level of around 9% of the GDP in FY08.
  2. Companies were coming to terms with the fact that fresh investments in India were significantly less expensive than anticipated due to cost and time overruns in securing land and environmental clearances.
  3. There was significant rupee depreciation as average rates increased from an average level of low-40s in around FY08 to mid-50s by FY12 and mid-60s by FY16.
- A. Only 1  
B. Only 2  
C. Only 3  
D. Both 1 and 2  
E. Both 2 and 3

**16. What is the reason behind the exacerbated situation of increase in financing costs for the companies from FY11?**

- A. Tightening to bring down the inflation from double-digit levels the RBI switched from great monetary easing after the global financial crisis.
- B. Corporate sector leveraged itself to the hilt to take advantage of the perceived growth advantages afforded by a rapidly growing economy.
- C. India's Investment – GDP ratio moved up from 26% in FY04 to 35% in FY08.
- D. Financing costs soared up as the repo rate was almost doubled.
- E. None of the above

**17. Why was there the significant rupee depreciation as context to the passage?**

- I. Because the repo rate was almost doubled from the low of 4.75% in September 2009 to a high of 8.5% in December 2011.
  - II. Because more than 50% over a span of a few years had a significant impact on the debt servicing ability of the over-extended corporate sector.
  - III. Because average rates increased from an average level of low-40s in around FY08 to mid-50s by FY12 and mid-60s by FY16.
- A. Only 1  
B. Only 3  
C. Both 2 and 3  
D. All of the above  
E. None of the above

18. Why there is steep decline in debt servicing capability of the Indian corporate sector not able to translate into formal NPAs in the Indian financial system?

- A. Credit Bureaus have facilitated the transfer of NPAs to all consumer lenders by institutionalizing the process of information sharing.
- B. The credit quality of a loan portfolio by analyzing bad rates in a loan pool where the loans share the same acquisition period.
- C. To postpone the summation of higher NPAs the financial institutions turned to restructuring and evergreening of stressed assets.
- D. NPAs are observing deterioration in these trends and public sector banks are observing improvement in these trends.
- E. None of the above

19. What is/are the reason to increase the NPA recognition time to 180 days from currently 90 days for banks and 120 days for NBFCs?

- A. To boost the MSME sector post the launch of GST.
- B. It aims at supporting credit access to the MSME sector.
- C. By identifying who are the impacted MSME borrowers.
- D. All of the above
- E. None of the above

20. Which of the following words will be suitable for blank (i)?

- A. precipitously
- B. vigorously
- C. tortuously
- D. juxtapose
- E. anomalously

21. Which of the following groups of words is used in order to make highlighted words grammatically correct?

This was financed by the inception of the biggest credit boom in the history of India – both non-food credit and credit to the Industry **segments doubling in a short span of three year from FY05 to FY08.**

- A. segments doubled from a short span of three years from FY05 to FY08.
- B. segment doubling in a short span of three year from FY05 to FY08.
- C. segments doubled in a short span of three year from FY05 to FY08.
- D. segment doubled in a short span of three years from FY05 to FY08.
- E. No correction required

22. Some words are highlighted in bold which may or may not be in their correct place, you are required to arrange them properly in order to make sentences grammatically correct and contextually meaningful.

The boom came to an end in FY08 as the **anticipated** (a) of the global credit **overruns** (b) in FY08 led to a change in the growth expectations. Concomitantly, companies were coming to terms with the fact that fresh investments in India were significantly more

expensive than bursting (c) due to cost and time  
bubble (d) in securing land and environmental clearances.

A. Only (a-c)

B. Only (b-d)

C. (a-c) and (b-d)

D. (a-d) and (b-c)

E. No interchange required

[Click Here to Get the Detailed Video Solution for the above given Questions](#)

Or Scan the QR Code to Get the Detailed Video Solutions



**Answer Key with Explanation**

**1. Answer- A**

Erroneous parts are I-c, II-b, III-c

**In I-c: - here, between April 1 to 10 is incorrect because between is always followed by conjunction and.**

Part c after correction- advocates Prashant Bhushan, to stay the sale scheduled between April 1 and 10. The NGO,

**In II-b: - here, “by” will be replaced by “through” because the work is done using a particular system, service, or person.**

Part b after correction- with the Bengaluru police commissioner through her advocate, alleging that she fears for her safety.

**In III-c: - here, “has been” will be replaced by only “has” because the statement is active; we don’t need passive here.**

Part c after correction- “The industrial growth has stopped in the country but the growth of beard is still on.” The chief minister added:

**2. Answer- C**

Erroneous parts are I-b, II-b, III-a

**In I-b: - ‘abide with’ is incorrect here; ‘abide by’ is correct phrasal expression**

Part b after correction- along the Line of Control (LoC). The meeting was held to take forward the understanding reached between the two sides to abide by

**In II-b: - we never use humanity aid; we always use “Humanitarian aid”**

Part b after correction- and the provision of humanitarian aid. They also play a key role in global socio-economic recovery

In III-a: - “devastated” is replaced by “devastating”.

Part an after correction- The coronavirus pandemic has triggered devastating consequences for human life and the global economy.

### 3. Answer-D

Erroneous parts are I-c, II-b, III-d

In I-c: - “for” will be replaced by “until” the sentence states up to the end of May and until indicates when something will happen, begin or end.

Part c after correction- which could last until the end of May, could see an addition of 25 lakh cases if trends till March 23 are taken into consideration.

In II-b: - “large” will be replaced by “largely” because we need an adverb here.

Part b after correction- mostly urban, while the spread in rural districts is almost stable. It says that cases are largely

In III-d: - flared out is incorrect , the correct term is flared in.

Part d after correction- the police official told Reuters, referring to protesters. Protests against Modi's visit were also flared in the capital Dhaka,

### 4. Answer- B

The erroneous parts are- I-b, II-c, III-d

In I-b= “as many as” will be used in order to make the statement correct.

Part b after correction- said a rescue operation has been launched and authorities are on the scene. As many 36 as

In II-c= “this being” will be replaced by “has been”

Part c after correction- capabilities in space through the installation of sensors and satellites. This has been possible due to the creation of a

In III-d= before the Government of India, the will be used because it is an specific body and according to the article rule the will be used before specific things.

Part d after correction- satellites to cripple systems in times of war. In addition to the creation of agencies for space and cyber warfare, Government of India

### 5. Answer- D

The erroneous parts are- I-a, II-b, III-a

In I-a= “in” will be replaced by “at” because first we use at for smaller places then we use in for larger places.

Part a after correction- Prime Minister NarendraModi on Friday received a warm welcome from the Indian community at the Sonargaon Hotel in Bangladesh's Dhaka

In II-b= “shooted” will be replaced by “shot”

Part b after correction- who shot herself with a service weapon in Maharashtra's Amravati district.

The IFS officer was arrested from

In III-a= “ordering” will be replaced by “ordered”

Part a after correction- The Supreme Court on Friday ordered the governments of Punjab and Haryana, and the Bhakra Beas Management Board (BBMB) to maintain

**6. Answer- A**

Diminutions means - the act, process, or an instance of becoming gradually less (as in size or importance): the act, process, or an instance of diminishing.

Synonyms- fetter, stricture, proscription, latitude, restrictions

Conspicuous means- easily seen or noticed; readily visible or observable, attracting special attention, as by outstanding qualities or eccentricities.

Synonyms- astounding, miraculous

Stirring means- having the power to affect the feelings or sympathies

Synonyms- impressive, poignant

Laurels means- public acknowledgment or admiration for an achievement

Synonyms- recognition, accolade

Redound- contribute

Ethos- culture, civilization, tradition

Epochal- essential, important, quintessential

Doughty- brave, intrepid, gallant

**7. Answer- C**

Mooted - to talk about (an issue) usually from various points of view and for the purpose of arriving at a decision or opinion

Synonyms- canvassed, bandied, agitated

Competence means the physical or mental power to do something

Synonyms- puissance, capability, endowment

Denude- strip (something) of its covering, possessions, or assets.

Synonyms- remotion

Blazon - to make known openly or publicly

Synonyms- declare, enunciate, announce

Languid- dejected

Volition- determination

Denigrate- defame, despise, insult

Imbecile- fool, rustic

**8. Answer- D**

Spawn- to be the cause of (a situation, action, or state of mind)

Synonyms- Effectuate, conduce

Nurtured- to help the growth or development of

Synonyms- incubated, fostered, advanced, and cultivated

Brainstorming- as in inspiration

Synonyms- contrivance, creativity, fantasy

Transcendence- the fact or state of being above others in rank or importance

Synonyms- superiority, priority, primacy

Impede and quench are antonyms for the word  
spawn

Facile- effortless, simplistic

Moorings- support, fix

Rapture- happiness, gaiety, mirth

### 9. Answer- B

Mutations- as in variations, a significant change

Synonyms- distortions, variants

Bestowing- to make a present of

Synonyms- contributing, volunteering,

Surge- as in *jump, skyrocket*

Synonyms- accelerate, skyrocket, accumulate, and  
mount

Congruity- a point which two or more things share in  
common

Synonyms- resemblance, correlation

Epoch- period of time, era

Mustering- collecting, gathering

Scrutiny- observation, analysis

### 10. Answer- A

Sacred- of, relating to, or used in the practice or  
worship services of a religion

Synonyms- hallowed, sacrosanct, sanctified

Colloquy- an exchange of views for the purpose of  
exploring a subject or deciding an issue

Synonyms- **symposium**

Brawl- a rough and often noisy fight usually involving  
several people

Synonyms- affray, ruckus, ruction, broil

Norms- the code of good conduct for an individual or  
group

Synonyms- ethos, ethics, morals

Spurious- fake

### 11. Answer- C

**Correct antonym for the word Churlish is couth**

Churlish - having or showing crudely insensitive or  
impolite manners

Synonyms- boorish, acrimonious, sullen

Antonym- Couth

### 12. Answer- B

**Correct antonym for the word Cantankerous is  
amicable**

Cantankerous - having or showing a habitually bad  
temper

Synonyms- bilious, surly, splenetic

Antonym- amicable

### 13. Answer- A

**Correct antonym for the word Recalcitrant is  
obsequious**

Recalcitrant – given to resisting authority or  
another's control

Synonyms- contumacious, obstreperous, recusant

Antonym- obsequious

**14. Answer- D**

**Correct antonym for the word Parochial is catholic**

Parochial means not broad or open in views or opinions

Synonyms- picayune, provincial, sectarian

Antonym- catholic

**15. Answer- D**

Statements 1 and 2 are not true statements as per the passage

Statement 1 states about - Overall corporate indebtedness increased much further as they were beneficiaries of the sharp surge in capital inflows reaching the level of around 9% of the GDP in FY08.

Statement 2 states about- companies were coming to terms with the fact that fresh investments in India were significantly more expensive than anticipated due to cost and time overruns in securing land and environmental clearances.

**16. Answer- A**

It is given in the second paragraph - The situation was further exacerbated by the significant increase in financing costs for the companies from FY11 onwards as the RBI switched from massive monetary easing post the global financial crisis to significant tightening to bring down the inflation from double-digit levels.

**17. Answer- B**

As clearly mentioned in the paragraph - there was significant rupee depreciation as average rates increased from an average level of low-40s in around FY08 to mid-50s by FY12 and mid-60s by FY16.

**18. Answer- C**

It is clearly mentioned in the third paragraph- However, this precipitous decline in debt servicing capability of the Indian corporate sector didn't translate into formal NPAs in the Indian financial system as the financial institutions resorted to restructuring and "evergreening" of stressed assets to postpone the reckoning of higher NPAs.

**19. Answer- D**

As mentioned in the last paragraph of the passage- RBI's guideline on increasing the NPA recognition time to 180 days from currently 90 days for banks and 120 days for NBFCs aims at giving much needed boost to the MSME sector post the launch of GST. It couples with the recent budget announcement on tax-relief for the MSME sector. While the new RBI guideline aims at supporting credit access to the MSME sector, many are unclear about the exact benefit of this guideline to MSME borrowers and the banks. Transunion CIBIL has attempted to ascertain the benefit of the guideline by identifying who are the impacted MSME borrowers. Though, RBI definition to classify MSME is based on GST registration till 31st Jan 2018 and aggregate credit exposure not exceeding Rs 25 crores.



**20. Answer- A**

The word which is suitable for the blank is precipitously which means dangerously high or steep

Vigorously= passionately, earnestly, zeal

Tortuously= complex, complicated

Juxtapose= comparison

Anomalously= unequal

**21. Answer- D**

This was financed by the inception of the biggest credit boom in the history of India – both non-food credit and credit to the Industry segment doubled in a short span of three years from FY05 to FY08.

**22. Answer- C**

The correct rearrangement is (a-c) and (b-d)

The boom came to an end in FY08 as the bursting of the global credit bubble in FY08 led to a change in the growth expectations. Concomitantly, companies were coming to terms with the fact that fresh investments in India were significantly more expensive than anticipated due to cost and time overruns in securing land and environmental clearances.

**Dear Friends, this is the Special Paid Bundle PDF Course which was made because of the Hard work of Our Experts Team. This PDF Course consists of High-Standard Questions on Reasoning, Quants, English, Current Affairs Quiz, Static GK Quiz and Banking Awareness Quiz Exactly on Exam Level. Total 40,000 Questions and Course Duration is of 50 Days for each exam. If anyone got this PDF without purchasing it, kindly buy this PDF Officially using the link given below. This will encourage us to work harder to produce high quality content for you in upcoming days.**

**[Get Our Special Grand Bundle PDF Course for All Upcoming Bank Exams](#)**

Dear Friends, this is the Special Paid Bundle PDF Course which was made because of the Hard work of Our Experts Team. This PDF Course consists of High-Standard Questions on Reasoning, Quants, English, Current Affairs Quiz, Static GK Quiz and Banking Awareness Quiz Exactly on Exam Level. Total 40,000 Questions and Course Duration is of 50 Days for each exam. If anyone got this PDF without purchasing it, kindly buy this PDF Officially using the link given below. This will encourage us to work harder to produce high quality content for you in upcoming days.

[Get Our Special Grand Bundle PDF Course for All Upcoming Bank Exams](#)

# Grand Bundle PDF Course 2021

Exams Covered:

SBI Clerk | SBI PO | IBPS RRB PO |  
IBPS RRB Clerk | IBPS PO | IBPS Clerk

Separate PDF Course for All Major **Bank Pre + Mains** Exams

- Total No. of Ques.: **40,000+**
- Question in Bilingual (**Eng & Hindi**)
- Answers With Detailed **Video Solution**
- Provides you **50 days Study Planner** for each exams
- **Covers all types** of questions in each topic
- Questions in **Exact Exam Level**
- All Our PDFs are **Downloadable**
- **100% Satisfaction Assured** & It's Worthy for your money

### Current Affairs

1. The government has extended the deadline to file ITR for individuals to Jan 10, 2021. The late filing fees are only Rs 1,000 for those with taxable income up to Rs 5 lakh and those required to file returns under the \_\_\_\_\_ proviso of Section 139(1) of the Income-tax Act.

- (a) 7th
- (b) 8th
- (c) 9th
- (d) 10th
- (e) 11th

2. The Central government has recently launched INSACOG to monitor the genomic variations in the SARS-CoV-2 on a regular basis through a multi-laboratory network. INSACOG was formed under the leadership of which among the following?

- (a) Indian Council of Medical Research (ICMR), New Delhi.
- (b) Council of Scientific and Industrial Research (CSIR), New Delhi
- (c) NITI Aayog, New Delhi
- (d) Serum Institute of India, Maharashtra
- (e) National Centre for Disease Control (NCDC), New Delhi.

3. On the recommendation of which committee, the Department of Commerce has notified the rates of Remission of Duties and Taxes on Exported Products (RoDTEP) to all export goods?

- (a) Kasthuri Rangan

- (b) Sunil Mehta
- (c) G.K Pillai
- (d) Sanjiv Puri
- (e) R S Sharma

4. The BPR&D released the Data on Police Organizations in Jan '21. Generally, who released the Data on Police Organization as of 01.01.2019?

- (a) Amit Shah
- (b) Rajnath Singh
- (c) Narendra Modi
- (d) Jitendra Singh
- (e) Ramnath Kovind

5. . Home Minister Amit Shah recently has released the National Police K-9 Journal in New Delhi. It is a biannual Journal released every year in which two months?

- (a) April and December
- (b) January and July
- (c) March and November
- (d) April and October
- (e) June and October

6. Union Cabinet has approved the Multi-Modal Logistics Hub & Multi-Modal Transport Hub (MMTH) at Greater Noida. The Proposal for the construction was made by whom?

- (a) NITI Aayog
- (b) Invest India
- (c) DPIIT
- (d) NRDC
- (e) CSIR

7. Bharat Electronics Limited has signed a contract with the Indian Navy for the initial supply of Light Amplification by Stimulated Emission of Radiation Dazzlers in New Delhi. How many Laser dazzlers were contracted to supply initially?

- (a) 24
- (b) 20
- (c) 21
- (d) 30
- (e) 22

8. Prime Minister has inaugurated the National Metrology Conclave 2021 through video conferencing. What is the theme of National Metrology Conclave 2021?

- (a) Meteorology for the Inclusive Growth of the Nation
- (b) Metrology and Climatic Changes
- (c) Inclusive growth is in Metrology
- (d) Growth of atmosphere in Metrology
- (e) Metrology and Weather

9. Dr. Harsh Vardhan digitally inaugurated the 7th NHM National Summit on Good, Replicable Practices through a video conference. He has launched the Operational guidelines for which of the following diseases?

- (a) TB & HIV
- (b) TB & Leprosy
- (c) Anemia & Pneumonia
- (d) Leprosy & HIV
- (e) HIV & Anemia

10. The foundation stone of Light House projects under Global Housing Technology Challenge (GHTC) at six sites across six States, has been laid by \_\_\_\_\_.

- (a) Ramnath Govind
- (b) Narendra Modi
- (c) Amit shah
- (d) Hardeep Singh puri
- (e) Ravi Shankar Prasad

11. India begins its two-year tenure as a non-permanent member of the United Nations Security Council (UNSC). Presently, How many total non-permanent members are in the UNSC?

- (a) 15
- (b) 10
- (c) 25
- (d) 20
- (e) 12

12. India Post expects to make the Post Office Savings Bank interoperable with other bank accounts by April 2021. Who is the Secretary of the Department of Posts?

- (a) Akshay Kumar Jain
- (b) Prathiksha Patel
- (c) Arun Kumar Sharma
- (d) Pradipta Kumar Bisoi
- (e) Pradeep Kumar Patil

13. After consultation with the 4 Chief Justice of India, Chief Justices/ Judges of High Courts have been transferred as per clause (1) of Article



222 of the Constitution of India. Who has the authorization to transfer the Justices/ Judges of High Courts?

- (a) President
- (b) Vice President
- (c) Prime Minister
- (d) Supreme court Chief Judge
- (e) Home Minister

14. The Food Safety and Standards Authority of India (FSSAI) has capped the amount of trans fatty acids (TFA) in oils and fats to \_\_\_\_\_ for 2021.

- (a) 2%
- (b) 2.5%
- (c) 3%
- (d) 1.5%
- (e) 3.5%

15. The 51st International Film Festival of India (IFFI) has opened in January '21. 'Another Round' was the opening movie of the festival. This movie belongs to \_\_\_\_\_

- (a) Norway
- (b) South Korea
- (c) Denmark
- (d) North Korea
- (e) England

16. Bajaj Auto has become the first two-wheeler company in the world to cross a market capitalization of Rs 1 lakh crore. Where is the headquarters of Bajaj Auto located?

- (a) Pune

- (b) Ahmadabad
- (c) Chennai
- (d) Mumbai
- (e) Kolkata

17. The Journalist Day was observed on January 6 in memory of late journalist Balshastri Jambhekar. This day was observed by the people of which of the following states?

- (a) Maharashtra
- (b) West Bengal
- (c) Gujarat
- (d) Odisha
- (e) Haryana

18. A Bank announced the launch of a video KYC account opening facility for savings bank accounts. This bank has already launched a mobile banking application "I-Quick", which allows its customers to avail themselves a multiple ranges of services. Name the Bank.

- (a) ICICI Bank
- (b) Yes Bank
- (c) Canara bank
- (d) IDBI Bank
- (e) RBL Bank

19. World Bank has signed a \$105 million project to improve waterways in West Bengal. The Project will facilitate passenger and freight movement across which of the following river in West Bengal?

- (a) Hooghly
- (b) Damodar



- (c) Jamuna
- (d) Mahananda
- (e) Padma

20. The All India Gem and Jewellery Domestic Council (GJC) has been appointed \_\_\_\_\_ as the vice-chairman of the apex body.

- (a) Ashish Pethe
- (b) Sukumar Sen
- (c) C.R.Chaudhary
- (d) Saiyam Mehra
- (e) Om Prakash Rawat

21. The Centre has decided to form a committee to protect the language, culture and land of Ladakh and ensure citizen's participation in the Union Territory's development. The Committee was headed by whom?

- (a) Hardeep Singh Puri
- (b) G Kishan Reddy
- (c) Amit Shah
- (d) Jitendra Singh
- (e) Prahlad Joshi

22. Prime Minister Narendra Modi has inaugurated the New Rewari-New Madar section of the Western Dedicated Freight Corridor (WDFC). What is the total distance covered (approximately) by the project?

- (a) 306 Km
- (b) 300 Km
- (c) 305 Km
- (d) 301 Km
- (e) 310 Km

23. Prime Minister Narendra Modi held a video teleconference with his German counterpart Federal Chancellor Angela Merkel. This year marks \_\_\_\_ anniversary of setting up bilateral relations between India and Germany.

- (a) 75
- (b) 55
- (c) 80
- (d) 85
- (e) 70

24. The Indian Meteorological Department (IMD) recorded the year 2020 as \_\_\_\_\_ warmest year since 1901.

- (a) 5th
- (b) 8th
- (c) 11th
- (d) 7th
- (e) 10th

25. A new approach for surveying using satellite imagery and artificial intelligence (AI) could help in solving some of the present challenges in the conservation of the species. This Survey is going to be implemented for which of the following species?

- (a) Asiatic Lion
- (b) White Tiger
- (c) Chimpanzee
- (d) African elephants
- (e) One-horned Rhino

26. SBI Mutual Fund has acquired an additional 86,993 shares in CSB Bank Ltd (formerly The Catholic Syrian Bank Ltd), which raised its stake in the bank to \_\_\_\_\_ from 4.96% earlier.

- (a) 5.01%
- (b) 5.00%
- (c) 5.05%
- (d) 5.10%
- (e) 5.03%

27. TRIFED & Akhil Bhartiya Vanvasi Kalyan Ashram signed a Memorandum of Understanding (MoU) to establish TRIFOOD Parks in how many districts of Madhya Pradesh?

- (a) 10
- (b) 11
- (c) 6
- (d) 3
- (e) 5

28. Admiral Karambir Singh, the Chief of the Naval Staff has visited \_\_\_\_\_, Indian Navy's forward operating base at Okha, Gujarat.

- (a) INS Sinduvir
- (b) INS Darshak
- (c) INS Dwarka
- (d) INS Dhruv
- (e) INS Shivalik

29. 'LUKOSIN' Developer and Senior scientist Hemant Kumar Pandey has been honoured with DRDO's 'Scientist of the Year Award'. LUKOSIN is \_\_\_\_\_ based company.

- (a) Cosmetics Company

- (b) Food based Company
- (c) Mineral based Company
- (d) Medicines based Company
- (e) Hardware Company

30. BEML has received orders from MoD to supply the High-Mobility Vehicles to Indian Army within 1 year. Which BEML Plant has received the order?

- (a) Mysore Complex
- (b) Vignyan Industries Limited
- (c) Bangalore Complex
- (d) Palakkad Complex
- (e) Kolar Gold Fields (KGF) Complex

31. Delhi Government Department of Art, Culture, and Language has set up a Tamil Academy in Delhi. The Delhi government has appointed \_\_\_\_\_ as the vice Chairman of the academy.

- (a) P Chidambaram
- (b) N Raja
- (c) R Mani
- (d) G Jawahar

32. The National Capital Region Transport Corporation (NCRTC) would use indigenously designed ballastless tracks for the country's first RRTS. RRTS stands for:

- (a) Regional Rapid Transport System
- (b) Regional Rapid Transit System
- (c) Regional Rapid Tracking System
- (d) Regional Rapid Turn System
- (e) Regional Rapid Turning System



33. Dr. Raghu Ram Pillarisetti has been honoured with 'OBE-Officer of the Most Excellent Order of the British Empire' in Queen Elizabeth II's 2021 New Year's Honours list. Dr. Raghu Ram is a founder and CEO of \_\_\_\_\_

- (a) Ushalakshmi Breast Cancer Foundation
- (b) Poorna sudha cancer Foundation
- (c) Shri Shankara cancer Foundation
- (d) Shyam Oncology Foundation
- (e) Karunakare foundation

34. Khadi and Village Industries Commission (KVIC) has signed an MoU with Indo-Tibetan Border Police for the supply of 1,72, 000 cotton durries every year. Who is the chairman of KVIC?

- (a) Vinoth Kumar Sharma
- (b) Vijay Kumar Saxena
- (c) Varun Kumar Sharma
- (d) Vinai Kumar Saxena
- (e) ViduyutKumar Sharma

35. Lt Gen Shantanu Dayal has been named the new Deputy Chief of Army Staff. Lt Gen Dayal is the Corps Commander of the \_\_\_\_\_ based 4 Corps.

- (a) Kanpur
- (b) Solapur
- (c) Jabalpur
- (d) Sonapur
- (e) Tejpur

36. The World Bank has projected \_\_\_\_\_% economic growth rate for Bangladesh for the FY 2020-21.

- (a) 1.9 %
- (b) 1.5 %
- (c) 1.3 %
- (d) 2.0 %
- (e) 1.6 %

37. Alex Ellis was appointed as a new British high commissioner to India. Alex Ellis succeeded whom for this post?

- (a) Sir Richard Stagg
- (b) Sir Rob Young
- (c) Sir Dominic Asquith
- (d) Sir Philip Barton
- (e) Sir James Bevan

38. The Reserve Bank of India (RBI) has decided to introduce the Legal Entity Identifier (LEI) system for all payment transactions of value 50 crore and above undertaken by entities (non-individuals) via RTGS and NEFT. How Many digits do LEI consist of?

- (a) 10
- (b) 20
- (c) 15
- (d) 9
- (e) 11

39. The CCEA has approved a modified scheme to enhance ethanol distillation capacity in the country for producing 1G ethanol from

feedstocks. India will need about 1,000 crore liters of ethanol for doping in petrol by \_\_\_\_\_.

- (a) 2030
- (b) 2035
- (c) 2040
- (d) 2022
- (e) 2025

40. The Cabinet Approved the Export of the Akash Missile System and Created a Committee for faster approval of Exports worth \$5 billion by 2024. Akash is a \_\_\_\_\_ Missile.

- (a) Air-to-air
- (b) Air-to-surface
- (c) Antitank
- (d) Surface-to-air
- (e) surface-to-surface

41. The PM gave away annual PMAY -Urban Awards-2019 for excellence in six categories for the implementation of PMAY-U. Which state has awarded in the Best Performing State category for the implementation of PMAY-U?

- (a) Uttar Pradesh
- (b) Bihar
- (c) Andhra Pradesh
- (d) Madhya Pradesh
- (e) Arunachal Pradesh

42. RBI Launched Jan 2021 Round of “Consumer Confidence Survey” & “Inflation Expectations Survey of Households”. How many cities are covered in the Inflation Expectations Survey of Households?

- (a) 18
- (b) 20
- (c) 27
- (d) 15
- (e) 22

43. Dr. Harsh Vardhan released a Book titled “Metrology for Inclusive Growth of India”. This book was edited by whom?

- (a) Rasana Atreya
- (b) Varsha Naik
- (c) D.K. Aswaland
- (d) Harika Bantupalli
- (e) Tara Khandelwal

44. John Fulton (F) Reid, former New Zealand cricketer passed away recently. The name of New Zealand national cricket team is nicknamed as \_\_\_\_\_.

- (a) Red cap
- (b) Blue cap
- (c) Purple cap
- (d) Black cap
- (e) White cap

45. What is the Interest Rates for Small Savings Schemes for PPF according to the recently announced interest rate for Q4 2020-21?

- (a) 7.0%
- (b) 6.9%
- (c) 7.2%
- (d) 7.5%
- (e) 7.1%



**46. Harmony Foundation hosted the Mother Teresa Memorial Awards. This award was given to which of the following field?**

- (a) Social Justice
- (b) Art & Culture
- (c) Sports
- (d) Journalist
- (e) Business

**47. A person referred as “Lone Wolf” has replaced Ambani as Asia’s richest person, Name the Person who is one of the fastest in history to achieve the feat.**

- (a) Colin Huang
- (b) Goh Cheng Liang
- (c) Zhang Zhidong
- (d) Jack Ma
- (e) Zhong Shanshan

**48. Which among the following bank in January '21 has announced the launch of banking services on messaging platform WhatsApp?**

- (a) Bank of India
- (b) Punjab National Bank
- (c) Indian bank
- (d) Bank of Baroda
- (e) Canara bank

**49. Indian student Harsh Dalal’s startup has built 120-employee business across eight cities and won the recognition in Singapore for his start up. What was the name of his Startup?**

- (a) TEAM WIN
- (b) TEAM START

- (c) TEAM UP
- (d) TEAM WILL
- (e) TEAM LABS

**50. The Japanese firm Sumitomo Forestry and Kyoto University have joined the forces in the aim of developing a wooden satellite. Japan has decided to launch the first wood-based satellite by which year?**

- (a) 2025
- (b) 2022
- (c) 2028
- (d) 2023
- (e) 2030

**51. Government has extended Income Tax Returns Filing Date To which date?**

- A) January 11
- B) January 12
- C) January 10
- D) January 15
- E) January 18

**52. Veteran broadcaster Indira Joseph Venniyor who passed away was a renowned \_\_\_\_.**

- A) Director
- B) Producer
- C) Actor
- D) Broadcaster
- E) Singer

**53. Government has extended deadline for FASTag till which date?**

- A) February 11



- B) February 13
- C) February 17
- D) February 18
- E) February 15

54. Which state assembly has passed a Bill to abolish all government-run Madrassas?

- A) Bihar
- B) Assam
- C) Haryana
- D) Kerala
- E) Madhya Pradesh

55. Which state is organizing Exhibition Raag - Bhopali being organized to promote Zari-Zardozi?

- A) Nagaland
- B) Assam
- C) Madhya Pradesh
- D) Bihar
- E) Chhattisgarh

56. Navy and which organization has conducted a maiden trial of 1st indigenous air-droppable container?

- A) BEL
- B) BHEL
- C) BDL
- D) DRDO
- E) ISRO

57. Which bank has introduced a one-stop integrated travel marketplace Travel Now?

- A) Axis

- B) Yes
- C) ICICI
- D) SBI
- E) DBS

58. Union Cabinet has approved a Multi-Modal Logistics Hub & Multi-Modal Transport Hub (MMTH) at \_\_\_\_\_.

- A) Indore
- B) Noida
- C) Chandigarh
- D) Bhopal
- E) Surat

59. India's First Testbed for Autonomous Navigation Systems has been launched at which institution?

- A) IIT Roorkee
- B) IIT Bombay
- C) IIT Delhi
- D) IIT Hyderabad
- E) IIT Madras

60. Which institution has developed a plaque therapy successfully used on eye cancer patients in AIIMS?

- A) BHEL
- B) BDL
- C) BARC
- D) ISRO
- E) DRDO

61. Who among the following has been conferred with Eminent Engineer Award ?

- A) Naren Singh
- B) VK Paul
- C) Suresh Mehta
- D) Ramesh Chand
- E) VK Yadav

**62. Mother Teresa Memorial Awards For Social Justice 2020 Announced. This is the \_\_\_\_year of the award.**

- A) 12th
- B) 14th
- C) 16th
- D) 15th
- E) 13rd

**63. ISRO chairman K Sivan has received a \_\_\_\_\_ year extension as Department of Space secretary.**

- A) 3
- B) 2.5
- C) 1.5
- D) 1
- E) 2

**64. Which city will host the much-awaited Tansen Music Festival?**

- A) Mumbai
- B) Gwalior
- C) Indore
- D) Chandigarh
- E) Jaipur

**65. Dr. Harsh Vardhan has digitally inaugurated the \_\_\_\_\_ NHM National Summit on Good, Replicable Practices through a video conference.**

- A) 3rd
- B) 4th
- C) 7th
- D) 5th
- E) 6th

**66. Global family Day 2020 is observed on which of the following date?**

- A) January 3
- B) January 15
- C) January 4
- D) January 5
- E) January 1

**67. Who among the following has recently launched the Global PravasiRishta portal & mobile App to connect with Indian Diaspora across the world?**

- A) Anurag Thakur
- B) Prahlad Patel
- C) V.Muraleedharan
- D) S.Jaishankar
- E) NarendraModi

**68. PM Modi has laid the foundation stone of Light House projects (LHPs) across \_\_\_ states via video conference.**

- A) 4
- B) 8
- C) 7
- D) 6

E) 5

**69. Indian Army Chief MM Naravane receives Guard of Honour at Army Headquarters of which country?**

- A) Israel
- B) France
- C) South Korea
- D) Nepal
- E) Bhutan

**70. Prime Minister has laid the Foundation stone of AIIMS in which state recently?**

- A) Chhattisgarh
- B) Haryana
- C) Bihar
- D) Gujarat
- E) Madhya Pradesh

**71. DRDO has recently celebrated its \_\_\_\_ Foundation Day of its establishment on January 01, 2021.**

- A) 58th
- B) 60th
- C) 61st
- D) 62nd
- E) 63rd

**72. PM Modi has inaugurated a permanent campus of IIM Sambalpur in which state?**

- A) Chhattisgarh
- B) Haryana
- C) Odisha
- D) Bihar

E) Madhya Pradesh

**73. Petroleum Minister has launched missed call facility for LPG consumers in which city?**

- A) Chandigarh
- B) Delhi
- C) Kolkata
- D) Bhubaneswar
- E) Indore

**74. Who among the following has inaugurated the Virtual Agri-hackathon 2020?**

- A) Prahlad Patel
- B) NitinGadkari
- C) Venkiah Naidu
- D) NarendraModi
- E) NS Tomar

**75. India is all set to begin its \_\_\_\_\_year tenure as a non-permanent member in UNSC.**

- A) 6
- B) 1
- C) 2
- D) 3
- E) 4

**76. Which country has recently changed the words of its national anthem?**

- A) France
- B) Australia
- C) England
- D) Malaysia
- E) Singapore



77. Who among the following has launched the IAF e-Governance (e-Office) portal?

- A) Rajnath Singh
- B) Anurag Thakur
- C) Prahlad Patel
- D) RKS Bhadauria
- E) NarendraModi

78. India and ADB have signed USD \_\_\_\_\_ million loan to augment electricity generation capacity in Assam.

- A) 260
- B) 245
- C) 231
- D) 250
- E) 247

79. Which state has launched a Crop Relief Scheme - KisanFasalRahatYojana?

- A) Karnataka
- B) Chhattisgarh
- C) Kerala
- D) Jharkhand
- E) Assam

80. Chief of Naval Staff recently visited INS Dwarka in which state?

- A) Madhya Pradesh
- B) Karnataka
- C) Gujarat
- D) Kerala
- E) Maharashtra

81. State-owned \_\_\_\_\_ announced the extension of its festival bonanza offer till March.

- A) HDFC
- B) ICICI
- C) SBI
- D) BOB
- E) PNB

82. Post Office Savings Bank be apt interconnected with other banks by which month?

- A) August
- B) April
- C) March
- D) June
- E) July

83. RuPay partners with which Bank to introduce 'RuPayPoS'?

- A) Axis
- B) ICICI
- C) SBI
- D) RBL
- E) HDFC

84. IFSCA has become an associate member of the global lobby group \_\_\_\_\_.

- A) UNICEF
- B) UNESCO
- C) WB
- D) IMF
- E) IOSCO



**85. P Ravi Kumar appointed as Chief Secretary of which state?**

- A) Chhattisgarh
- B) Telangana
- C) Karnataka
- D) Gujarat
- E) Kerala

**86. Who among the following has taken over the charge of new Chairman & CEO of Railway Board?**

- A) AnandVarma
- B) Sumeet Sharma
- C) Manoj Kumar
- D) Surender Singh
- E) Vishesh Singh

**87. Soma Mondal has taken over from Anil Kumar Chaudhary as Chairman of which organization?**

- A) HPCL
- B) ONGC
- C) BDL
- D) SAIL
- E) BHEL

**88. Narendra 'Bull' Kumar who passed away was a famous \_\_\_\_\_.**

- A) Actor
- B) Director
- C) Writer
- D) Singer
- E) Mountaineer

**89. Who among the following has been appointed Deputy Election Commissioner?**

- A) Naveen Gupta
- B) Sumit Singh
- C) UmeshSinha
- D) Manoj Kumar
- E) Anand Raj

**90. Which state government has promoted 3 IPS Officers recently?**

- A) Haryana
- B) Punjab
- C) Kerala
- D) Chhattisgarh
- E) Madhya Pradesh

**91. DRDO's 'Scientist of the Year' award has been won by whom?**

- A) SushilGupte
- B) AnandTiwarly
- C) Hemant Kumar Pandey
- D) Manoj Kumar
- E) SurenderPrakash

**92. GST collections for December has been highest ever at Rs \_\_\_\_\_ lakh crore.**

- A) 1.05
- B) 1.10
- C) 1.30
- D) 1.24
- E) 1.15

**93. J&K UT Administration has signed anMoU with which organization?**

- A) ONGC
- B) BHEL
- C) HPCL
- D) NAFED
- E) NAREDCO

94. ADB and India have signed a \_\_\_\_\_million loan to support project preparation to expand horticulture in Himachal Pradesh.

- A) 14
- B) 13
- C) 10
- D) 11
- E) 12

95. John Fulton Reid who died at the Age of 64 played for which country?

- A) England
- B) New Zealand
- C) West Indies
- D) Australia
- E) South Africa

96. World Braille Day Observed is observed on which date?

- A) January 1
- B) January 14
- C) January 4
- D) January 15
- E) January 12

97. ShantanuMohapatra who died at 84 in Bhubaneshwar was an eminent \_\_\_\_\_.

- A) Actor

- B) Writer
- C) Director
- D) Musician
- E) Dancer

98. Indian SARS-CoV-2 Genomics Consortium (INSACOG) has been launched under the leadership of \_\_\_\_\_.

- A) MoH&FW
- B) AIIMS
- C) CSIR
- D) ICMR
- E) NCDC

99. Drug regulator has given final approval for Covid-19 vaccines of which of the following?

- A) Sputnik V
- B) SII
- C) Cipla
- D) Pfizer
- E) Ranbaxy

100. Which organization has released data on Police Organizations?

- A) RPF
- B) CRPF
- C) CISF
- D) BPRD
- E) NitiAayog

101. Who among the following has released the inaugural issue of 'National Police K-9 Journal'?

- A) Anurag Thakur
- B) Prahlad Patel

- C) Amit Shah
- D) NarendraModi
- E) Venkiah Naidu

**102. RBI has recently introduced the Digital Payments Index with the base year as \_\_\_\_\_.**

- A) 2019
- B) 2018
- C) 2017
- D) 2016
- E) 2015

**103. Government has extended the benefit of the RoDTEP scheme to all export goods to boost exports based on the recommendation of \_\_\_\_\_ committee.**

- A) Ramesh Chand
- B) VK Paul
- C) V Srinivasan
- D) GK Pillai
- E) Suresh Mathur

**104. The government of which state has Permitted all shops to remain open for 24x7?**

- A) Telangana
- B) Andhra Pradesh
- C) West Bengal
- D) Kerala
- E) Karnataka

**105. ISRO to launch the first satellite developed entirely by which country's space agency?**

- A) US
- B) Japan

- C) Brazil
- D) France
- E) Germany

**106. Which company has signed a contract with Indian Navy for Initial Supply of indigenously developed Laser Dazzlers?**

- A) ISRO
- B) BEL
- C) DRDO
- D) BDL
- E) GRSE

**107. Which country will be a co-chair of a regional forum to conserve wildlife habitats - Asia Protected Areas Partnership (APAP)?**

- A) Thailand
- B) China
- C) Russia
- D) India
- E) Qatar

**108. Who among the following has inaugurated the National Metrology Conclave 2021?**

- A) Amit Shah
- B) Prahlad Patel
- C) NarendraModi
- D) Harsh Vardhan
- E) Anurag Thakur

**109. Leon Mendonca has become India's \_\_\_\_\_ chess Grandmaster.**

- A) 63rd
- B) 64th

- C) 65th
- D) 66th
- E) 67th

**110. Buta Singh who passed away recently belonged to which political party?**

- A) CPI
- B) JDU
- C) Congress
- D) BJP
- E) BJD

**111. National Bird Day is observed on which of the following date?**

- A) January 1
- B) January 3
- C) January 5
- D) January 9
- E) January 7

**112. Which division of the Indian Railways will start a train service connecting international airport?**

- A) Western
- B) South Central
- C) Northern
- D) South Western
- E) Eastern

**113. Who among the following will inaugurate the Kochi-Mangaluru natural gas pipeline?**

- A) Venkiah Naidu
- B) Anurag Thakur
- C) Prahlad Patel

- D) NitinGadkari
- E) NarendraModi

**114. India has recently begun its \_\_\_\_\_Scientific Expedition to Antarctica.**

- A) 36th
- B) 37th
- C) 40th
- D) 39th
- E) 38th

**115. FSSAI has slashed the limit for trans fat levels in foods to \_\_\_\_\_ per cent for 2021.**

- A) 2.5
- B) 3
- C) 2
- D) 4
- E) 3.5

**116. Which edition of the International Film Festival of India (IFFI) will open on 16th January?**

- A) 47th
- B) 48th
- C) 49th
- D) 51st
- E) 52nd

**117. The government of which state has set up a Tamil Academy to promote the language?**

- A) Chhattisgarh
- B) Uttar Pradesh
- C) Delhi
- D) Punjab

E) Haryana

**118. Justice S Muralidhar has taken Oath as Chief Justice of which High Court?**

- A) Punjab
- B) Madras
- C) Mumbai
- D) Haryana
- E) Odisha

**119. Department for Promotion of Industry and Internal Trade is organizing \_\_\_\_\_ - a marathon of focused sector-specific webinars for promoting Quality and Productivity in Indian Industry from Jan 4 to March 2.**

- A) Udyog
- B) AayatNiryat
- C) UdyogManthan
- D) UdyogUday
- E) UdyogUjjala

**120. The Petroleum Minister has inaugurated the Migrant Worker Cell in which city?**

- A) Chennai
- B) Delhi
- C) Chandigarh
- D) Surat
- E) Indore

**121. Who among the following has taken oath as new chief justice of J&K and Ladakh high court?**

- A) Raj Gupta
- B) Pankaj Mittal
- C) Suresh Singh

D) Naresh Mehta

E) Anand Raj

**122. Digital channels of PrasarBharati have registered more than \_\_\_\_\_ percent growth in 2020, with Pakistan being the second highest digital audience for Doordarshan (DD) and All India Radio (AIR).**

- A) 50
- B) 80
- C) 100
- D) 90
- E) 70

**123. US Congress passes 'MalalaYousafzai Scholarship Act' for women of which country?**

- A) Turkmenistan
- B) Kazakhstan
- C) Uzbekistan
- D) Pakistan
- E) Afghanistan

**124. A 5-day national folk dance festival will be organized in \_\_\_\_\_ by the Ministry of Culture.**

- A) Delhi
- B) Indore
- C) Chennai
- D) Chandigarh
- E) Jammu

**125. India has sent relief materials to which country for its cyclone affected people?**

- A) Sri Lanka
- B) Madagascar

- C) Fiji  
D) Mauritius

- E) St. Knits and Keeves

### Answer Key with Explanation

#### 1. Answer: A

The government extended the deadline to file income tax return (ITR) for individuals by 10 days to January 10, 2021. Prior to that, the deadline was December 31, 2020. This is the third time that the government has extended the deadline to file ITR first from the normal deadline of July 31 to November 30, 2020, and then to December 31, 2020.

The last date for filing ITR has been extended for those taxpayers whose filings using ITR-1 and ITR-4 forms are not required to be audited. Further, this year, if the ITR was not filed by the earlier deadline December 31, then the penalty or late filing fees levied for filing a belated ITR would have been twice that payable the previous year.

It is to be noted that late filing fees or penalty are only Rs 1,000 for those with taxable income up to Rs 5 lakh and those required to file returns under the seventh proviso of Section 139(1) of the Income-tax Act.

Under this newly inserted seventh proviso of section 139 of the Income-tax Act, ITR filing is mandatory in the following cases:

- A) If you have deposited Rs 1 crore or more in one or more current accounts maintained with a bank or co-operative bank;

- B) If you have spent Rs 2 lakh or more on foreign travel on self or any other person in the relevant financial year; and  
C) If you have paid an electricity bill of Rs 1 lakh or more in the relevant FY.

#### 2. Answer: E

The Central government has formed a genomic surveillance consortium for laboratory and epidemiological surveillance of circulating strains of the SARS-CoV-2 in India.

The Indian SARS-CoV-2 Genomic Consortia (INSACOG) has been launched. Coordinated by the Department of Biotechnology (DBT) along with MoH&FW, ICMR, and CSIR, the strategy and roadmap of the National SARS CoV2 Genome Sequencing Consortium (INSACOG) have been prepared.

The genomic surveillance consortium, INSACOG, has been formed under the leadership of the National Centre for Disease Control (NCDC), New Delhi.

#### 3. Answer: C

The Government has decided to extend the benefit of the scheme for the Remission of Duties and Taxes on Exported Products (RoDTEP) to all export goods to boost exports. 19

The RoDTEP rates were notified shortly by the Department of Commerce, based on the recommendation of a committee chaired by former Commerce and Home Secretary Dr. G.K. Pillai

**4. Answer: A**

The Bureau of Police Research & Development (BPR&D) released Data on Police Organizations. The BPR&D has been publishing the Data on Police Organizations (DoPO), annually, since the year 1986.

DoPO as of 01.01.2019 was released by the Union Home Minister Shri Amit Shah, on 29th January 2020. This is for the first time in the history of BPR&D that DoPO for a particular year has been released during the year itself.

**5. Answer: D**

Home Minister Amit Shah released the inaugural issue of the National Police K-9 Journal in New Delhi.

It is the first such publication in the country on the subject of Police Service K9s, Police Dogs.

The journal comprises different sections in Hindi and English.

It is a biannual journal that will be released in April and October every year.

**6. Answer: C**

The government approved a multi-modal logistics and transport hub (MMTH) at Greater Noida in Uttar Pradesh.

The Union Cabinet also approved a proposal to set up industrial corridor nodes at Krishnapatnam and Tumakuru under CBIC. The proposals have a total estimated cost of Rs 7,725 crore. The Union Cabinet has approved proposals of the Department of Promotion of Industry & Internal Trade (DPIIT) for construction of various tank infrastructure components, which includes: Krishnapatnam Industrial Area in Andhra Pradesh (estimated cost of the project of Rs. 2,139.44 crore) Tumakuru Industrial Area in Karnataka (estimated cost of Rs. 1,701.81 crore) Multi-Modal Logistics Hub (MMLH) and Multi-Modal Transport Hub (MMTH) at Greater Noida in Uttar Pradesh (estimated cost of Rs. 3,883.80 crore)

**7. Answer: B**

Bharat Electronics Limited (BEL) has signed a contract with the Indian Navy for initially supplying 20 Light Amplification by Stimulated Emission of Radiation Dazzlers (Laser Dazzlers) in New Delhi.

The BEL had earlier this month won the contract beating global Original Equipment Manufacturers (OEMs) in the global category. These would be manufactured by BEL, Pune plant. Laser dazzler technology was developed by Defence Research and Development Organization (DRDO).



**8. Answer: A**

Prime Minister inaugurated National Metrology Conclave 2021 through video conferencing.

National Metrology Conclave 2021 was organised by the Council of Scientific and Industrial Research National Physical Laboratory, New Delhi.

Science and Technology Minister Dr. Harsh Vardhan and Director General, CSIR, Shekhar Mande and Principal Scientific Adviser to the Central Government, Professor K VijayRaghavan was also present on the occasion. The theme of 2021: Meteorology for the Inclusive Growth of the Nation.

**9. Answer: B**

HarshVardhan, Union Minister of Health and Family Welfare digitally inaugurated the 7th National Summit on Good, Replicable Practices through a video conference.

Vardhan also launched New Health Management Information System (HMIS) along with the Operational Guidelines for TB services at AB-HWCs and the Operational Guidelines 2020 on Active Case Detection and Regular Surveillance for Leprosy. While the first one was held in 2013 at Srinagar.

**10. Answer: B**

On 1st January Prime Minister Narendra Modi laid the foundation stone of Light House projects (LHPs) under the Global Housing Technology Challenge (GHTC)- at six sites across six States, through video conference.

The projects are being undertaken under the Global Housing Technology Challenge (GHTC).

**11. Answer: B**

Solution: India will begin its two-year tenure as a non-permanent member of the United Nations Security Council (UNSC). India will sit in the 15-nation UNSC for the 2021-22 term as a non-permanent member — the eighth time that the country has had a seat on the powerful horseshoe table. On January 1, India, Norway, Kenya, Ireland and Mexico will join non-permanent members Estonia, Niger, Saint Vincent and the Grenadines, Tunisia and Vietnam and the five permanent members China, France, Russia, U.K. and the U.S.

**12. Answer: D**

India Post expects to make the Post Office Savings Bank interoperable with other bank accounts by April 2021.

Department of Posts Secretary Pradipta Kumar Bisoi said that The postal department during the lockdown was at the frontline to deliver essential parcels when rail, road and air traffic were grounded and continues to enhance capacity as trains are not fully operational yet.

**13. Answer: A**

The President of India in the exercise of the power conferred by clause (1) of Article 222 of the Constitution of India, and after consultation with the 4 Chief Justice of India, transferred the Chief Justices/ Judges of High Courts. Recently

4 Chief Justices and 6 judges of High Courts are transferred by President after the consultation with the Chief Justice of India.

**14. Answer: C**

The Food Safety and Standards Authority of India (FSSAI) has capped the amount of trans fatty acids (TFA) in oils and fats to 3% for 2021 and 2% by 2022 from the current permissible limit of 5%.

The step to reduce trans-fat came after the World Health Organization (WHO) called for the global elimination of Trans fats by 2023.

Chairperson: Rita Teatota.

**Primary Tag: National**

**Secondary Tag: In-depth**

**15. Answer: C**

Denmark's Oscar nominee 'Another Round' was opening movie at 51st IFFI in Goa.

The 51st International Film Festival of India (IFFI) opened with the Indian premiere of the movie 'Another Round' by Thomas Vinterberg. The movie starring Cannes Best Actor Award winner Mads Mikkelsen is among a star-studded lineup of movies being showcased at IFFI.

The movie is also Denmark's official entry to the Oscars. The Japanese film bagged Silver Lion for Best Director at Venice International Film Festival.

**16. Answer: A**

Bajaj Auto has become the first two-wheeler company in the world to cross a market capitalization of Rs 1 lakh crore, making it the most valuable two-wheeler maker. Bajaj Auto is India's largest exporter of two-wheelers and three-wheelers.

Headquarters: Pune, Maharashtra

Managing Directors: Rajiv Bajaj

**17. Answer: A**

The Journalist Day is observed by the Maharashtra state government on 6th January every year. This day was celebrated in memory of late journalist Balshastri Jambhekar.

**18. Answer: D**

IDBI Bank announced the launch of a video KYC account opening (VAO) facility for savings bank accounts.

IDBI Bank has already launched its mobile banking application "I-Quick", which allows its customers to avail themselves a range of services such as funds transfer, bill payment, mobile/DTH recharge, and an account view across savings, current account, fixed/recurring deposits, loans and Demat.

**19. Answer: A**

The Government of India and the Government of West Bengal and the World Bank signed a \$105 million project to improve the inland water transport infrastructure in Kolkata, West Bengal.

The \$105 million loan from the International Bank for Reconstruction and Development (IBRD), has a maturity of 17 years, including a grace period of 7 years.

The West Bengal Inland Water Transport, Logistics and Spatial Development Project will facilitate passenger and freight movement across the Hooghly River.

**20. Answer: D**

The All India Gem and Jewellery Domestic Council (GJC), the national apex body of the gems and jewellery industry, has announced the appointment of Ashish Pethe as chairman and Saiyam Mehra as vice chairman for two years.

**21. Answer: B**

The Centre has decided to form a committee to protect the language, culture and land of Ladakh and ensure citizen's participation in the Union Territory's development.

The Committee would be headed by the Minister of State for Home G Kishan Reddy and will include elected representatives from Ladakh, Ladakh Autonomous Hill Development Council, central government, and the Ladakh administration.

Union Home Minister Amit Shah met a 10-member delegation from Ladakh who expressed their views about the need to protect Ladakh's unique cultural identity.

**22. Answer: A**

Prime Minister Narendra Modi has inaugurated the 306-km New Rewari-New Madar section of the Western Dedicated Freight Corridor (WDFC).

The Rewari-Madar section is situated in Haryana, approximately 79km in Mahendragarh and Rewari districts and Rajasthan approximately 227km, in Jaipur, Ajmer, Sikar, Nagaur and Alwar districts.

**23. Answer: E**

Prime Minister Narendra Modi held a video-conference with his German counterpart Federal Chancellor Angela Merkel.

This year marks the 70th anniversary of setting up bilateral relations between India and Germany and the 20th anniversary of the Strategic Partnership, the two leaders agreed to hold the sixth Inter-Governmental Consultations at an early date in 2021 and to set an ambitious agenda for the same.

**24. Answer: B**

The year 2020 was the eighth warmest year on record since nation-wide records commenced in 1901, the India Meteorological Department (IMD).

However, the past year was substantially lower than the highest warming recorded in 2016. As per the IMD, the five warmest years on record in order were 2016, 2009, 2017, 2010 and 2015.

**25. Answer: D**

A new approach for surveying African elephants using satellite imagery and artificial intelligence (AI) could help in solving some of the present challenges in the conservation of the species.

The survey method was developed by an international team of researchers led by the University of Oxford.

**26. Answer: A**

SBI Mutual Fund has acquired an additional 86,993 shares in CSB Bank Ltd (formerly The Catholic Syrian Bank Ltd), which consequently raised its stake in the bank to 5.01% from 4.96% earlier. The acquisition was made through open market purchase.

It is currently the oldest private sector bank in Kerala. In 1969 it became a Scheduled Bank, as it was included in the Second Schedule of Reserve Bank of India Act, 1934.

**27. Answer: E**

TRIFED (Tribal Cooperative Marketing Development Federation of India Limited) under the Ministry of Tribal Affairs (MoTA) & Akhil Bhartiya Vanvasi Kalyan Ashram signed a Memorandum of Understanding (MoU) to establish TRIFOOD Parks in 5 districts in Madhya Pradesh.

The agreement was signed by Pravir Krishna, Managing Director (MD), TRIFED & Yogesh Bapat, and General Secretary of Akhil Bhartiya Vanvasi Ashram. The main aim of TRIFOOD is to enhance the income of tribal through optimal utilization of value addition to Minor Forest

Produces (MFPs) collected by Tribal Forest Gatherers

**28. Answer: C**

Admiral Karambir Singh, the Chief of the Naval Staff (CNS) visited INS Dwarka, Indian Navy's forward operating base at Okha, Gujarat, on New Year's Eve.

**29. Answer: D**

'LUKOSIN' Developer and Senior scientist Hemant Kumar Pandey has been honoured with DRDO's 'Scientist of the Year Award' for his contribution in developing several herbal medicines, including the popular drug Lukoskin meant for the treatment of leucoderma.

**30. Answer: D**

BEML Ltd (previously known as Bharat Earth Movers Limited) has received orders worth ~ INR 758 crores from the Ministry of Defense (MoD) for supplying high-mobility vehicles to the Indian army.

The equipment would be manufactured at BEML's Palakkad Plant in Kerala and will be supplied to the Indian Army in a period of 1 year.

The vehicles will play a vital role in the logistics management of the army.

(e) R Rakesh

**31. Answer: B**

Delhi Government Department of Art, Culture, and Language has set up a Tamil Academy to promote the language and culture of the southern state of Tamil Nadu.

The Delhi government has appointed a former municipal councilor and current member of Delhi Tamil Sangam N Raja as the vice-chairman of the academy.

**32. Answer: B**

The National Capital Region Transport Corporation (NCRTC) will use indigenously designed ballastless tracks for the country's first Regional Rapid Transit System (RRTS).

As RRTS technology supports high-speed trains therefore these tracks will be suitable for high-speed trains running up to 180 kmph and require low maintenance.

Track slabs will first be used on the 17-km-long Sahibabad-Duhai priority section of the Delhi-Ghaziabad Meerut RRTS corridor.

The section will be operational by 2023; while the entire 82-km-long corridor will be completed by 2025. Tracks will be manufactured indigenously in a unit, currently being constructed in Meerut.

**33. Answer: A**

India's Dr. Raghu Ram Pillarisetti (54 years old), Director and Consultant Breast Surgeon, KIMS-USHALAKSHMI Centre for Breast Diseases has been honoured with 'OBE-Officer of the Most

Excellent Order of the British Empire' in Queen Elizabeth II's 2021 New Year's Honours list.

This second highest ranking Order of the British Empire award (excluding a knighthood/ dame hood) conferred to him in recognition of his outstanding services to Breast Cancer care and Surgical Education in India and UK/India relations. The award was instituted in 1917 by King George V.

**34. Answer: D**

Khadi and Village Industries Commission signed MoU with Indo-Tibetan Border Police, ITBP for the supply of 1,72,000 cotton durries every year.

The total value of these durries is eight crore 74 lakh. The development comes after Home Minister Amit Shah gave instructions to the paramilitary forces to encourage local products to support the AtmaNirbhar Bharat Abhiyan. KVIC Chairman Vinai Kumar Saxena termed the development as "historic" saying this would not only encourage the use of Swadeshi products in our forces but also create large-scale additional employment for Khadi artisans.

**35. Answer: E**

Lt Gen Shantanu Dayal has been named the new DCOAS. Lt Gen Dayal is the Corps Commander of the Tejpur based 4 Corps.

He takes place of Lt Gen SS Hasabnis who superannuated on December 31 as soon as his replacement arrives. Lt Gen Taranjit Singh, the first Army officer to join as the Additional Secretary in the Department of Military Affairs (DMA) under the Ministry of Defence.

**36. Answer: E**

The World Bank has projected an economic growth rate of 1.6 percent for Bangladesh for the FY 2020-21. In its latest report on Global Economic Prospects released, the Bank has noted that the world economy is likely to grow by 4 percent in 2021.

This report points out that in Bangladesh, which had been one of the fastest growing emerging market and developing economies prior to the pandemic, growth is estimated to have decelerated to 2% in FY 2019/20.

The World Bank has estimated India's GDP (Gross Domestic Product) growth to be in the range of 7.5 to 12.5 per cent during FY 2021-22 (FY 22). For the fiscal year 2020-21 ending on Wednesday, GDP contraction is estimated at 8.5 per cent as against a growth of 4 per cent during FY 2019-20.

**37. Answer: D**

Alex Ellis, a British strategic expert, has taken charge as the new UK High Commissioner to India.

The 53-year-old civil servant has been serving as Deputy National Security Adviser in the UK Cabinet Office for the government's Integrated

Review on diplomacy, development and defense.

He succeeded Sir Philip Barton.

**38. Answer: B**

The Reserve Bank of India (RBI) has decided to introduce the Legal Entity Identifier (LEI) system for all payment transactions of value ₹50 crore and above undertaken by entities (non-individuals) via RTGS and NEFT.

Real-Time Gross Settlement (RTGS) and National Electronic Funds Transfer (NEFT) are the Centralized Payment Systems operated by RBI.

This will come into effect from April 01, 2021

**39. Answer: A**

The CCEA has approved a modified scheme to enhance ethanol distillation capacity in the country for producing 1st Generation, 1G ethanol from feedstocks such as cereals like rice, wheat, barley, corn and sorghum and sugarcane, sugar beet etc.

An interest subvention of Rs 4,573 crore will also be provided for the production of ethanol, which can be used for doping in petrol. India will need about 1,000 crore liters of ethanol for doping in petrol by 2030 to cut dependency on imports for meeting oil needs. The nation currently has a capacity of 684 crore liters.

**40. Answer: D**



The Union Cabinet also gave its approval to the sale of Akash surface-to-air missile systems to friendly foreign countries.

It created a high-powered Committee comprising Defence Minister (Rajnath Singh), External Affairs Minister (Subrahmanyam Jaishankar) and National Security Advisor-NSA (Ajit Kumar Doval) to provide faster approvals for export of such platforms.

Notably, the Government of India targets defence exports worth \$5 billion by 2024.

Akash is a Surface to Air Missile with a range of 25 Kms. The missile was inducted in 2014 in IAF and in 2015 in Indian Army.

**41. Answer: A**

The PM gave away annual “Pradhan Mantri Awas Yojana (Urban) Awards-2019” for excellence in six categories for the implementation of PMAY-U. Best Performing State-Uttar Pradesh (UP) followed by Madhya Pradesh (MP) and Andhra Pradesh (AP)

**42. Answer: A**

The Reserve Bank of India (RBI) launched the January 2021 round of household surveys namely “Inflation Expectations Survey of Households (IESH)” and “Consumer Confidence Survey (CCS)” to represent inflation expectations and consumer confidence.

This survey covers 6000 households across 18 cities by capturing subjective assessments i.e. qualitative and quantitative responses on price movements and inflation as per the individual’s

consumption in the three-month ahead as well as one-year ahead periods. The 18 cities are Ahmedabad, Bengaluru, Bhopal, Bhubaneswar, Chandigarh, Chennai, Delhi, Guwahati, Hyderabad, Jaipur, Kolkata, Lucknow, Mumbai, Nagpur, Patna, Raipur, Ranchi and Thiruvananthapuram.

**43. Answer: C**

Dr. Harsh Vardhan released a Book titled “Metrology for Inclusive Growth of India”, edited by Dr. D.K. Aswaland contributed by CSIR-NPL’s Scientists. This book signifies the role of metrology for inclusive growth in India and describes various metrological applications. He also released a “Thesaurus of NPL” on the occasion.

**44. Answer: D**

John Fulton(F) Reid, former New Zealand cricketer passed away at the age of 64 after a long illness at Christchurch, City in the South Island, New Zealand.

The Left-handed batsman was born on March 3, 1956 in Auckland, City in the North Island, New Zealand. He served as the New Zealand Test captain. The name of New Zealand national cricket team is nicknamed as Blackcap.

**45. Answer: E**

The finance ministry notified that the interest rates on small savings schemes including Public Provident Fund (PPF) and National



Savings Certificate (NSC) for 4th quarter of 2020-21 ( January 1 to March 31, 2021) will remain unchanged from those notified for the third quarter (October 1-December 31, 2020).

Scheme	Interest Rate
Public Provident Fund	7.1%
National Savings Certificate	6.8%
Savings Deposit	4%
Five-year Senior Citizens Savings Scheme	7.4% (Paid Quarterely)
Sukanya Samridhhi Yojana	7.6%
Term deposits of 1-5 years	5.5 – 6.7% (Paid Quarterely)
5 – year recurring Deposit	5.8%
Kisan Vikas Patra	6.9%

**46. Answer: A**

Harmony Foundation hosted the Mother Teresa Memorial Awards for Social Justice. The Awards in its 16th year is the only award endorsed by Sister Prema, the Superior General of the Missionaries of Charity, the organization started by Mother Teresa. The theme for awards was, Celebrating Compassion in Times of Covid.

**47. Answer: E**

Solution: Zhong Shanshan, referred to as “Lone Wolf”, has replaced Ambani as Asia’s richest

person; he is one of the fastest in history to achieve the feat.

Zhong Shanshan is Chinese billionaire whose net worth is 78.2 billion USD, which is attributed to the listing of Beijing Wantai Biological Pharmacy Enterprises Co and Nongu Spring Co, a bottled water firm.

**48. Answer: D**

Bank of Baroda offers WhatsApp banking services, to activate the banking facility on WhatsApp, need to save WhatsApp number 8433 888 777 of Bank of Baroda (BoB) in phone book. The bank would be offering these services on Whats App- balance inquiry, mini statement, cheque status inquiry, cheque book request, blocking of a debit card, information on Bank’s product and services, register/apply for digital products, etc.

**49. Answer: E**

A 19-year-old Indian student in Singapore is keeping his options open on a startup named “TEAMLABS” he has built with four applications in his teenage while schooling.

While keeping up with his schooling for a diploma in business administration at Singapore Polytechnic, Harsh Dalal, as CEO, has built 120-employee Team Labs’ business across eight cities.

**50. Answer: D**

The first ever wooden satellite could be launched from Japan in 2023.

The Japanese firm Sumitomo Forestry and Kyoto University have joined forces in the aim of developing a wooden satellite that would burn up more readily as its lifespan ends, without leaving debris or waste behind.

**51. Answer: C**

The government extended the deadline to file income tax return (ITR) for individuals by 10 days to January 10, 2021.

Prior to that the deadline was December 31, 2020

This is the third time that the government has extended the deadline to file ITR first from the normal deadline of July 31 to November 30, 2020, and then to December 31, 2020.

The last date for filing ITR has been extended for those taxpayers whose filings using ITR-1 and ITR-4 forms are not required to be audited.

**52. Answer: D**

Indira Joseph Venniyor, Renowned broadcaster, All India Radio Veterean, and the first English news announcer of Travancore Radio, passed away. She was 94.

She was the wife of well-known literary scholar and art critic the late E.M.J. Venniyoor.

She is a lover of music and performing arts, she encouraged budding professionals in the fields.

**53. Answer: E**

The Ministry of Road Transport and Highways has extended the deadline for FASTags for all vehicles in India till February 15, 2021.

Earlier, the National Highways Authority of India (NHAI) had announced to completely do away with cash transactions for paying toll charges from January 1.

The new deadline for FASTags to be made mandatory to cross a toll plaza has been set on February 15, 2021.

The compulsory use of FASTags will help vehicles pass through the toll plazas swiftly, preventing long queues.

**54. Answer: B**

The Assam Legislative Assembly passed the repeal provincialisation of Madrassa Bill, 2020 to abolish all government-run Madrassas in the state and convert them to general schools.

The new act will come into effect from April 1, 2021. The Bill was tabled in the assembly by the state government on December 28, 2020.

Assam, the state government has decided to make 'education secular' and 198 high madrasas and 542 other madrasas in the state will operate as any other general educational institute and will not give admission to students for theological studies.

**55. Answer: C**

Madhya Pradesh Government is Organizing an exhibition called Raag-Bhopali is being

organized to promote Zari-Zardozi crafts of Bhopal.

The exhibition is being organised till 30 December in GauharMahal, Bhopal. Chief Minister Shivraj Singh Chouhan while inaugurating the exhibition on that fading art of Zari-Zardozi will be revived.

Different kinds of zari work

**Zardozi:** This is a heavy and more elaborate embroidery work which uses varieties of gold threads, spangles, beads and gota.

It is used to embellish wedding outfits, heavy coats, cushions, curtains etc.

**Kamdani :** This is a lighter needlework which is done on lighter material like scarves, veils, and caps.

**Mina Work:** This is thus called owing to its resemblance with enamel work. The embroidery is done in gold.

#### **56. Answer: D**

Defence Research and Development Organisation (DRDO) along with the Indian Navy conducted the successful maiden test trial of 'SAHAYAK-NG' India's first indigenously designed and developed Air Dropped Container from IL 38SD aircraft (Indian Navy) off the coast of Goa.

The trial was conducted by the Indian Navy to enhance its operational logistics capabilities and provide critical engineering stores to ships that are deployed more than 2000 kilometers from the coast.

SAHAYAK-NG is an advanced version of SAHAYAK Mk I.

The newly developed GPS aided air dropped container is having the capability to carry a payload that weighs up to 50 kilograms and can be dropped from heavy aircraft.

SAHAYAK-NG container was developed by two DRDO laboratories i.e. NSTL, Visakhapatnam and ADRDE, Agra along with Avantel for GPS integration.

#### **57. Answer: E**

DBS Bank India introduced a one-stop travel marketplace within the digibank app.

Named as Travel Now, the platform enables customers to browse and book flights, bus tickets and hotels across hundreds of destinations both within and outside of India.

With the help of this new platform customers will now be able opt for travel insurance, offered by Bharti AXA General Insurance, with an automated claims process for flight cancellation, and flight departure and arrival delays of more than 60 minutes.

#### **58. Answer: B**

The government approved a multi-modal logistics and transport hub (MMTH) at Greater Noida in Uttar Pradesh.

For a view to making India a strong player in the global value chain. The Union Cabinet also approved a proposal to set up industrial corridor nodes at Krishnapatnam and Tumakuru under CBIC.

The proposals have a total estimated cost of Rs 7,725 crore and an estimated employment generation of more than 2.8 lakh persons

The Union Cabinet has approved proposals of Department of Promotion of Industry & Internal Trade (DPIIT) for construction of various trunk infrastructure components, which includes:

Krishnapatnam Industrial Area in Andhra Pradesh (estimated cost of the project of Rs. 2,139.44 crore)

**59. Answer: D**

Union Minister of Education Ramesh Pokhriyal Nishank virtually laid the foundation stone of 'TiHAN-IIT Hyderabad, India's first Testbed for Autonomous Navigation Systems (Terrestrial and Aerial) at IIT Hyderabad.

The Department of Science and Technology (DST), Government of India, has sanctioned Rs. 135 crores to IIT Hyderabad under the National Mission on Interdisciplinary Cyber-Physical Systems (NM-ICPS) to set up a Technology Innovation Hub on Autonomous Navigation and Data Acquisition Systems.

The Technology Innovation Hub on Autonomous Navigation Systems for Unmanned Aerial Vehicles and Remotely Operated Vehicles at IIT Hyderabad, known as 'TiHAN Foundation' has been incorporated as a Section-8 company by the institute in June 2020.

**60. Answer: C**

The Bhabha Atomic Research Centre in Mumbai has developed an eye cancer therapy in the form of the first indigenous Ruthenium 106 Plaque for the treatment of ocular tumours.

The handling of plaque is very convenient for surgeons and it has been acknowledged to be at par with international standards.

About Ocular Tumours:

Ocular tumors are tumors inside the eye.

They are collections of cells that grow and multiply abnormally and form masses.

They can be benign or malignant. In adults the most common type is metastatic, from another part of the body (lung, breast, prostate, etc).

About Ruthenium-106:

Ruthenium-106 is a radioactive form of the rare heavy metal ruthenium, which is a "platinum group" metal similar to platinum.

**61. Answer: E**

Shri V.K. Yadav, Chairman & CEO, Railway Board, Ministry of Railways has been conferred with the prestigious Eminent Engineer Award for the Year 2020

The award is given by the Institution of Engineering and Technology (IET) for his outstanding contribution towards modernization and reforms over Indian Railways.

Every year the Institution of Engineering and Technology, Delhi Local Network celebrates Engineers' Day on the 15th of September to commemorate the birth anniversary of Bharat Ratna Sir M Visvesvaraya.

On this occasion, besides technical activities, the Institution also presents the Eminent Engineer's Award to distinguished Engineering personalities for their outstanding services in the field of Engineering and technology.

**62. Answer: C**

On December 27, 2020, Harmony Foundation hosted the Mother Teresa Memorial Awards for Social Justice.

The Awards in its 16th year is the only award endorsed by Sister Prema, the Superior General of the Missionaries of Charity, the organization started by Mother Teresa.

The theme for this year's awards was, Celebrating Compassion In Times Of Covid Dr Anthony Fauci (USA) is the Director of the National Institute of Allergy and Infectious Diseases, USA. He and his task force were among the first ones to realize the seriousness of this pandemic.

Fr Fabio Stevenazzi (Milan, Italy) decision to return to medical practice in order to help those infected with COVID 19 has thrust him to be the modern day example of St Charles Borromeo who in 1576 during the Great Plague that hit the city of Milan and cut the population by half, stayed behind to nurse the sick and renovate hospitals.

Dr Pradeep Kumar (Chennai) took it upon himself to give a befitting burial to his colleague with the help of two ward boys, at a cemetery in the city in the middle of the night.

Cristian Fracassi and Alessandro Romaioli (Italy) CEO and Founder of ISINNOVA along with his teammate and engineer Alessandro Romaioli built prototypes on Isinnova's 3D printers, to create the parts of the use-and-throw valves for ventilators which were desperately needed in Italy and provided it to them for free helped many patients survive the terrors of this pandemic.

Sanjay Pandey, IPS (DG Home Guards, Maharashtra) went beyond the call of duty as a police officer to open the first relief camp in the Mumbai city suburbs for migrant workers whose livelihood were disrupted by the lockdown to contain the pandemic.

Vikas Khanna (Manhattan, USA) heart still moves to serve the lonely and underprivileged here in India.

**63. Answer: D**

The Appointments Committee of the Cabinet has approved the extension of tenure of K Sivan, secretary, Department of Space and chairman, Space Commission, for a period of one-year beyond January 14, 2021, that is up to January 14, 2022.

Sivan is also Chairman of Indian Space Research Organisation (ISRO).

Sivan joined Isro in 1982 and was inducted into the PSLV Project.

He took over as Isro chairman in January 2018.

Under his chairmanship, the space agency launched various important projects, including Chandrayaan 2, the second mission to the

moon, on July 22 last year and currently working on the human spaceflight mission. He was the chief architect of 6D trajectory simulation software, SITARA, which is the backbone of the real-time and non-real-time trajectory simulations of all Isro launch vehicles.

**64. Answer: B**

In Madhya Pradesh, the much-awaited Tansen Music Festival began in Gwalior with strict COVID-19 guidelines in place. In the inaugural ceremony renowned santoor player PtSatishVyas was conferred upon the prestigious TansenSamman.

Bhopal-based institution Abhinav Kala Parishad was honoured with Raja MansinghTomar award.

The inaugural day events started with cross-cultural offerings of Harikatha, Milad and shehnaivadan at Tansen'ssamadhithal in Hazira.

The festival will conclude on December 30 at Behat village, the birthplace of the music maestro Tansen.

**65. Answer: C**

Dr. Harsh Vardhan, Union Minister of Health and Family Welfare digitally inaugurated the 7th National Summit on Good, Replicable Practices through a video conference.

Dr. Vardhan also launched New Health Management Information System (HMIS) along with the Operational Guidelines for TB services at AB-HWCs and the Operational Guidelines

2020 on Active Case Detection and Regular Surveillance for Leprosy.

Main Objective : to recognize, showcase and document various best practices and innovations in public healthcare system

**66. Answer: E**

Global Family Day is an annual celebration observed on January 1st of every year.

People all over the world find no time to spend with their family.

The reason varies from person to person due to their work, living atmosphere, and so on.

This Day is celebrated as the global day of peace and sharing in the United States.

Spending time with the family members has reasonably reduced in recent years.

The Day aims in promoting peace and sharing. Assembly's declaration made in 1997 started with the theme "One Day of Peace" which was then observed on the first day of every year to welcome the New Year.

**67. Answer: C**

Minister of State for External Affairs V.

Muraleedharan launched the Global PravasiRishta portal and mobile App, to connect with Indian Diaspora across the world.

About the Portal :

The portal will act as a dynamic communication platform between our pravasis, the Ministry of External Affairs and missions abroad and will help in engaging Indian diaspora more intensively.



The portal will also assist the Indian overseas during any crisis management and will also lend a helping hand.

The portal will also contain useful information for the Indian diaspora such as information on passport, visa, and other consular services. It will also have the details about various events that are organized by the missions and the invites will be sent to diaspora members for greater participation.

The dynamic nature of the portal and the app will also allow the ministry to take useful opinions of the Indian diaspora on policy issues, conducting surveys, sharing e-newsletters, etc. PravasiBharatiya Divas (PBD) is celebrated on 9th January every year to mark the contribution of the Overseas Indian Community in the development of India.

**68. Answer: D**

On 1st January Prime Minister Narendra Modi laid the foundation stone of Light House projects (LHPs) under Global Housing Technology Challenge (GHTC)- at six sites across six States, through video conference. The projects are being undertaken under the Global Housing Technology Challenge (GHTC). The LightHouse Projects will be undertaken at Rajkot in Gujarat, Lucknow in Uttar Pradesh, Indore in Madhya Pradesh, Ranchi in Jharkhand, Chennai in Tamil Nadu and Agartala in Tripura.

The project will comprise around 1000 houses at each location along with allied infrastructure facilities.

It will mainly aim to deliver ready to live houses at a fastened pace within twelve months.

The Chief Ministers of all six states took part in the foundation laying ceremony.

It has been conceptualised by the Union Ministry of Housing and Urban Affairs.

The LightHouse Projects will showcase the best use of new-age alternate global technologies, processes and materials in the construction sector at such a large scale for the first time in the country.

These houses will be more economical, sustainable, durable and of high quality in comparison to the conventional brick and mortar construction.

**69. Answer: C**

Chief of Army Staff General MM Naravane has received a Guard of Honour at Republic of Korea Army Headquarters at Gyeryong, South Korea.

He called on General Nam Yeong shin, Chief of Staff of Korean Army and discussed issues of bilateral defence cooperation.

The Army chief visited the Demilitarized Zone (DMZ) near the border with North Korea.

General Naravane visited the 30th Armoured Brigade and DMZ.

During his three day visit, he met senior military and civilian leadership of the Republic of Korea



and discussed avenues for enhancing defence relations between the two countries.

**70. Answer: D**

Prime Minister Narendra Modi laid the foundation stone of All India Institute of Medical Sciences (AIIMS) at Rajkot in Gujarat through video conferencing.

Gujarat Governor Acharya Devvrat, Union Health Minister Dr. Harsh Vardhan and Union Minister of State for Health Ashwini Kumar Choubey were also present on the occasion. AIIMS will play a big role in ensuring the modern health care facility reaches to the last mile in the State.

Under AIIMS project, 201 acres of land has been allotted near Rajkot.

It will be built at an estimated cost of Rs 1,195 crore and is expected to be completed by mid of 2022.

The state-of-the-art 750-bed hospital will also have a 30-bed AAYUSH block.

It will have 125 MBBS seats and 60 nursing seats.

**71. Answer: E**

The DRDO observed the 63rd Foundation Day of its establishment on January 01, 2021.

DRDO was established in 1958 with just 10 laboratories to enhance the research work in the Defence sector.

It was tasked with designing and developing cutting edge defence technologies for Indian Armed Forces.

DRDO is working in multiple cutting edge military technology areas, which include aeronautics, armaments, combat vehicles, electronics, instrumentation, engineering systems, missiles, materials, naval systems, advanced computing, simulation, cyber, life sciences and other technologies for defence.

**72. Answer: C**

Prime Minister Narendra Modi will lay the foundation stone of the permanent campus of the Indian Institute of Management (IIM), Sambalpur, on January 2 via video-conferencing.

Odisha Governor Ganeshi Lal and Odisha Chief Minister Naveen Patnaik along with Union Ministers Ramesh Pokhriyal 'Nishank', Dharmendra Pradhan and Pratap Chandra Sarangi will also be present on the occasion. The ceremony will be virtually attended by more than 5,000 invitees, including officials, industry leaders, academicians and students, alumni and faculty of IIM, Sambalpur.

The institute also outscored all other IIMs in terms of highest gender diversity with 49 per cent girl students in the MBA batch of 2019-21 and 43 per cent in the 2020-22 MBA batch. The proposed campus of IIM Sambalpur will be equipped with State-of-the-art infrastructure with energy efficient green features as per GRIHA standards.

It will be a green campus with maximum usage of renewable energy.

The project is scheduled to be completed by April 2022.

**73. Answer: D**

Union Minister for Petroleum and Natural Gas and Steel Dharmendra Pradhan launched the missed call facility for LPG consumers in Bhubaneswar.

Indian Oil LPG customers can now give a missed call to 8454955555 for refill booking for all India and for new connection for Bhubaneswar city.

The Minister also rolled out the second phase of the world class octane 100 premium grade petrol, under the brand XP 100.

The Petroleum Minister said that while about 13 crore people were given LPG connection between 1955 and 2014, now it is about to reach 30 crore, representing a quantum jump there by empowering Indian women.

Rolling out the Indian Oil's branded XP 100 to seven more cities including Bhubaneswar, Mr Pradhan said it epitomizes the Prime Minister's vision of Purvoday.

"In the line Modi's vision for a Digital India, the missed call facility will play a crucial role in making LPG more easily accessible to the consumers.

The Petroleum Ministry has always strived to improve customer convenience and this facility by Indian Oil will play a crucial role in making LPG more easily accessible.

**74. Answer: E**

Virtual Agri-hackathon Atmanirbhar Krishi inaugurated To make Agriculture profitable and attract youth towards agriculture are challenges of the Agri-hackathon

Union Minister of Agriculture & Farmers' Welfare Shri Narendra Singh Tomar said Agri-Startups can help improve the lot of farmers Building Smart India with Self-Reliant Agriculture.

The application of the hackathon was made live on mygov.in and will remain open till 20 January, 2021.

The hackathon will happen in 3 elimination rounds and the final 24 winners will get a cash prize of INR 1,00,000 along with incubation support, tech & business mentoring and various other benefits.

The hackathon will accept innovations & ideas on farm mechanization, precision agriculture, supply chain & food technology, waste to wealth, green energy, etc.

Narendra Singh Tomar said "In the light of Prime Minister's vision to introduce new-age technology and innovations in agriculture, the Agri India Hackathon is being organised.

It is a proud moment for all of us where young minds will discuss, collaborate, and create some of the best ideas & solutions which will guide us for years to come.

Agriculture is the backbone of our country and plans are afoot to strengthen this backbone with youth engagement, employment generation, technology & digitization".

**75. Answer: C**

India will begin its two-year tenure as a non-permanent member of the United Nations Security Council (UNSC).

India will sit in the 15-nation UNSC for the 2021-22 term as a non-permanent member — the eighth time that the country has had a seat on the powerful horseshoe table.

On January 1, India, Norway, Kenya, Ireland and Mexico will join non-permanent members Estonia, Niger, Saint Vincent and the Grenadines, Tunisia and Vietnam and the five permanent members China, France, Russia, U.K. and the U.S.

India will be UNSC President in August 2021 and will preside over the council again for a month in 2022.

**76. Answer: B**

On new year eve, Australia has changed one word in its national anthem to reflect “the spirit of unity” and the country’s Indigenous population.

Prime Minister of Australia Scott Morrison announced that the second line of the anthem, Advance Australia Fair, has been changed from For we are young and free to For we are one and free.

Minister for Indigenous Australians Ken Wyatt, who is also the first Indigenous Australian elected to the federal Parliament’s lower house, has given his support to the change.

He said that the one-word change was small in nature but significant in purpose.

**77. Answer: D**

Indian Air Force Chief, Air Marshal R K S Bhaduria launched the IAF e-Governance (e-Office) portal in New Delhi.

Bhaduria launched the portal at Vayu Bhawan. The launch of the portal is part of Digital India and e-governance initiative that will transform the entire Indian Air Force into a paperless office workflow.

It marks a major shift from the current method of correspondence, filing and documentation to a digital one.

The platform will ensure enhanced transparency, improved efficiency, increased accountability, assured data integrity and rapidly accessible archives along with a major reduction in the use of paper.

This project started in April and was to be completed by January 1, 2021

**78. Answer: C**

India and Asian Development Bank (ADB) have signed a USD 231 million loan to augment electricity generation capacity in the State of Assam through construction of a 120 Mega Watts hydroelectric power plant that will enhance availability of electricity for households.

This is the third tranche loan for the ongoing Assam Power Sector Investment Programme that was approved by the ADB Board in July 2014.

The programme, including its two previous tranches, focuses on enhancing capacity and efficiency of the energy generation and distribution systems in Assam to improve electricity service to end users.

**79. Answer: D**

Jharkhand is set to replace the Prime Minister's insurance scheme for farmers with its own crop relief scheme - KisanFasalRahatYojana.

To be launched on December 29, the scheme will take three months to come into effect.

What is Jharkhand's KisanFasalRahatYojana?

It is a compensation scheme aimed at providing security cover to Jharkhand farmers in case of crop damage due to natural calamity.

It will cover both land owning and landless farmers. The Department of Agriculture, Animal Husbandry and Co-operative will be the implementing agency and it will work in association with a project management unit, which will be a consultancy firm that will take care of technical requirements.

Food safety, crop diversification, rapid development in agriculture and paving the way for competition, are among the aims of the scheme. It is not an insurance scheme where premiums are paid.

**80. Answer: C**

Admiral Karambir Singh, the Chief of the Naval Staff (CNS) visited INS Dwarka, Indian Navy's forward operating base at Okha, Gujarat, on new year's eve.

The CNS was briefed by the Flag Officer Commanding Gujarat, Daman and Diu on maritime operations and security aspects relevant to Gujarat, Daman & Diu (GD&D) Naval Area.

He also took stock of coastal surveillance initiatives by GD&D Area and interacted with personnel from Naval Station Okha and other units.

Appreciating the quality work put in by the station, he encouraged the personnel to keep up the good work as INS Dwarka enters its golden jubilee year.

The CNS also wished all personnel and families at GD&D Area the very best for the new year.

**81. Answer: E**

State-owned Punjab National Bank NSE 0.92 % (PNB) announced the extension of its festival bonanza offer till March.

The promotional scheme has now been rechristened as "PNB NEW YEAR BONANZA-2021", the bank said in a statement.

"Under the PNB New Year Bonanza 2021 (during the offer period from January 1 to March 31, 2021), PNB will offer a full waiver of upfront or processing fees and documentation charges on all fresh housing loans, takeover housing loans, car loans, and property loans," it said.

About PNB:

**82. Answer: B**

India Post expects to make the Post Office Savings Bank interoperable with other bank

accounts by April and will focus on enhancing digitisation of all services in 2021, a senior official of the department said.

Department of Posts Secretary Pradipta Kumar Bisoi said that The postal department during the lockdown was at the frontline to deliver essential parcels when rail, road and air traffic were grounded and continues to enhance capacity as trains are not fully operational yet.

**83. Answer: D**

National Payments Corporation of India (NPCI) announced that RuPay has partnered with RBL Bank to launch an innovative payment solution for Indian merchants – RuPayPoS in association with PayNearby.

The RuPayPoS will transform smartphones into merchant Point of Sale (PoS) terminals for the retailers.

Merchants will now be able to accept contactless payments of up to INR 5000 through a simple tap and pay mechanism on his NFC enabled mobile phones.

Customers using RuPay cards or have tokenized their RuPay Cards, can carry out contactless payments for their regular purchases.

The introduction of RuPayPoS to digitally empower merchants by turning their smartphones into a PoS machine RuPayPoS will provide cost effective acceptance infrastructure to retailers at no additional capital cost.

This unique phenomena will proliferate digital payments acceptance among millions of underserved Indian MSMEs.

**84. Answer: E**

International Financial Services Centres Authority (IFSCA) has become an associate member of the International Organization of Securities Commissions (IOSCO).

The IOSCO works closely with the G20 nations and the Financial Stability Board (FSB), in setting up the standards for strengthening the securities markets.

The IOSCO Objectives and Principles of Securities Regulation have been endorsed by FSB as one of the key standards for sound financial systems.

The membership of IOSCO will provide the IFSCA a platform to exchange information at the global level, and even at the regional level, on areas of common interests.

With this new membership, IFSCA will get the platform to exchange information at the global level and regional level on areas of common interests and help to learn from the experiences and best practices of the regulators of other well established financial centres.

**85. Answer: C**

Senior IAS officer P Ravi Kumar has been appointed as Karnataka's 38th chief secretary. He will replace TM Vijay Bhaskar who will superannuate on December 31 2020.

About P. Ravi Kumar:

He is 1984-batch IAS officer Ravi Kumar is currently additional chief secretary (ACS) and was earlier Karnataka Chief Minister BS Yediyurappa's ACS.

Ravi Kumar is the second senior most IAS officer of Karnataka cadre after Bhaskar.

**86. Answer: B**

Suneet Sharma has been appointed as the new Chairman & Chief Executive Officer (CEO), Railway Board (Ministry of Railways) and ex-officio Principal Secretary to Government of India.

Prior to this, Suneet Sharma worked as General Manager, Eastern Railway.

He took over in his new role with effect from January 01, 2021.

Suneet Sharma joined the Indian Railways in 1979 as a Special Class Apprentice while he was studying engineering at IIT Kanpur.

He was Chief Workshop Manager, Parel workshop in Mumbai where he was instrumental in manufacturing narrow gauge locomotives for hill railways.

He also restored an old steam narrow gauge locomotive for the heritage Matheran line near Mumbai.

**87. Answer: D**

Soma Mondal has taken over as Chairman of Steel Authority of India Limited (SAIL) with effect from January 01, 2021.

Before joining SAIL as a Director, Mondal was the Director (Commercial) at fellow Central

public sector enterprise, National Aluminium Company Limited (NALCO).

She replaces Anil Kumar Chaudhary, who superannuated on 31 December 2020.

Under her leadership, the company launched niche branded products like NEX (Structural) and SAIL SeQR (TMT bars), a company.

**88. Answer: E**

Ace mountaineer Colonel Narendra 'Bull' Kumar, 87, who helped India secure the Siachen Glacier, passed away.

He earned the nickname 'Bull' for relentlessly charging into everything he did.

India had launched 'Operation Meghdoot' in April 1984 to gain total control of the strategically-located glacier as well as nearby passes following Col Kumar's ground report about Pakistani activities.

**89. Answer: C**

Umesh Sinha has been appointed as the deputy election commissioner in the Election Commission of India, according to a Personnel Ministry order.

Sinha, a 1986-batch IAS officer (retired) of the Uttar Pradesh cadre, is at present the secretary general in the commission.

The Appointments Committee of the Cabinet has approved extension in the term of reemployment of Sinha as deputy election commissioner on contract basis for a period of six months beyond December 31, 2020, that is up to June 30, 2021, it said.



Sinha is a part of a committee set up by the Election Commission to look into the issue of revising the election expenditure of candidates during campaigning.

**90. Answer: B**

The Punjab Government has promoted three Additional Director Generals of Police (ADGPs) to the rank of DGP.

ADGPs SanjeevKalra, B K Uppal, and Parag Jain, who are IPS officers, have been promoted to the rank of Director General of Police (DGP) from January 1.

Parag Jain, IPS, who is presently on central deputation with cabinet secretariat, New Delhi would be entitled only to the notional benefits and the actual benefits would be admissible as and when he would join his duty in the state government.

It is mentioned here that SanjeevKalra is ADGP railways at Patiala and BK Uppal is holding charge of state vigilance bureau chief.

**91. Answer: C**

'LUKOSIN' Developer and Senior scientist Hemant Kumar Pandey has been honoured with DRDO's 'Scientist of the Year Award' for his contribution in developing several herbal medicines, including the popular drug Lukoskin meant for treatment of leucoderma.

A recipient of several prestigious awards for his contribution in the field of herbal medicine, Pandey has been undertaking research at the Defence Research and Development

Organisation's (DRDO) lab Defence Institute of Bio-Energy Research (DIBER) at Pithoragarh in Uttarakhand for the past 25 years.

Defence Minister Rajnath Singh had recently facilitated the scientist at an event here with the prestigious award that comprises a certificate and cash prize of Rs 2 lakh.

**92. Answer: E**

Goods and Services Tax collections for December Rs 1.15 lakh crore, the highest ever since the implementation of the nationwide tax in July 2017.

The previous monthly GST collection record was just short of Rs 1.14 lakh crore in April 2019.

The revenues for the month of December 2020 are 12 percent higher than the GST revenues in the same month in 2019.

In November 2020, the GST collection had crossed Rs 1 lakh croremark.

This has been due to the combined effects of the rapid economic recovery and the nationwide drive against the GST evaders and fake bills along with many systemic changes introduced recently, which have led to improved compliance.

**93. Answer: D**

In Jammu and Kashmir, the Union Territory Administration signed a historic Memorandum of Understanding (MoU) with National Agricultural Cooperative Marketing Federation



of India Ltd. (NAFED), an apex organization of marketing cooperatives for agricultural produce. The MoU with NAFED is seen as a game changer for the Horticulture sector in Jammu and Kashmir.

High Density plantation of Apple, Walnut, Cherry, Flowers etc has potential to increase the income of farmers by 3 to 4 times.

After signing of the MoU, NAFED to cover 5500 Hectares at a cost of Rs.1700 Crore in the next five years with major focus on Apple, Walnut, Cherry, Pear and other significant horticulture produce. NAFED will also set up 20 Farmer-Producer Organizations, one in each district, in the next three months.

The NAFED will set up three cold storage clusters, one each in North Kashmir, South Kashmir and Kathua at a cost of Rs.500 Crore, besides ensuring Geographical Indications tags (GI Tags) for all premium/niche horticulture produce, branding and marketing of fruit crops like Apple, Walnut, Cherry, Olive, Litchi etc.

**94. Answer: C**

The Asian Development Bank (ADB) and the Government of India on 30th December 2020 signed a \$10 million project readiness financing (PRF).

Mainly to help finance piloting activities, and design and capacity building for an ensuing project that aims to expand horticulture production and farm household income in the hill state of Himachal Pradesh.

The PRF project aims to ensure implementation readiness with prior testing of new production technologies and marketing systems so that the ensuing project is cost-effective and gets completed in a timely manner to enhance farm profitability.

**95. Answer: B**

On December 28, 2020, John Fulton Reid, New Zealand cricketer passed away. He was 64.

The left-handed batsman, who made his Test debut against Pakistan in 1979, played 19 Tests and 25 ODIs for his country, mostly batting at No 3.

He finished his Test career with a noteworthy average of 46.28, scoring six hundreds. He compiled his highest Test score of 180 against Sri Lanka in Colombo in 1984.

Reid was one of the key members of the successful New Zealand side in the 1980s, and is fondly remembered for his crucial hand of 108 and his stand of 224 with Martin Crowe versus Australia at the Gabba in 1985.

He served as the chief executive of Auckland Cricket,

And then he was appointed the cricket operations manager and high performance manager of New Zealand Cricket.

Reid also played a leading role in the establishment of the National High Performance Centre at Lincoln.

**96. Answer: C**

World Braille Day is observed every year on 4 January to celebrate the importance of braille, a form of communication and written language for people who are blind and visually challenged. The day commemorates the birth anniversary of Louis Braille, the man who invented braille in the year 1809.

**Aim of the day :** The day aims to raise awareness about braille language and other forms of communication, As many establishments such as banks, restaurants, hospitals still don't offer braille versions of their printed materials, the day serves as a reminder of the importance of accessibility and independence for people who are visually impaired.

**97. Answer: D**

Legendary Odia music director Shantanu Mohapatra died in Bhubaneswar on December 30. He was 84 years old. Born at Baripada in Mayurbhanj district in 1936. Shantanu Mohapatra was the first Odia music director to work with acclaimed singers and music composers of the Hindi film industry. These included Lata Mangeshkar (Surjyamukhi), Mohd Rafi (Arundhati), Manna Dey (Surjyamukhi), Usha Mangeskar (Arundhati) and other artists like Suresh Wadekar, Anuradha Paudwal, Usha Uthup, Kavita Krishnamurthy, etc. He composed the first modern lullaby in AIR, first qawali, first bhangra tune, and first fusion and jumping note.

**98. Answer: E**

The Central government has formed a genomic surveillance consortium for laboratory and epidemiological surveillance of circulating strains of the SARS-CoV-2 in India.

The Indian SARS-CoV-2 Genomic Consortia (INSACOG) has been launched. Coordinated by the Department of Biotechnology (DBT) along with MoH&FW, ICMR, and CSIR, the strategy and roadmap of the National SARS CoV2 Genome Sequencing Consortium (INSACOG) has been prepared.

The genomic surveillance consortium, INSACOG, has been formed under the leadership of the National Centre for Disease Control (NCDC), New Delhi.

**Aim :** To monitor the genomic variations in the SARS-CoV-2 on a regular basis through a multi-laboratory network. This vital research consortium will also assist in developing potential vaccines in the future.

**99. Answer: B**

The Drugs Controller General of India (DCGI) has formally announced the final approval for Oxford-AstraZeneca and Bharat Biotech vaccines against the coronavirus disease (Covid-19) for emergency use.

CDSCO (Central Drugs Standard Control Organisation) accepts the subject expert committee reformations on Serum and Bharat Biotech Covid vaccines.

About Covishield :

The subject expert committee (SEC) under CDSCO had recommended Oxford-AstraZeneca's vaccine, which is being manufactured by the Serum Institute of India (SII) as Covishield, for emergency use and Covaxin for restricted use.

**100. Answer: D**

The Bureau of Police Research & Development (BPR&D) released Data on Police Organizations.

The BPR&D has been publishing the Data on Police Organizations (DoPO), annually, since the year 1986.

Do PO as on 01.01.2019 was released by the Union Home Minister ShriAmit Shah, on 29th January, 2020.

This is for the first time in the history of BPR&D that DoPO for a particular year has been released during the year itself.

The number of people getting police protection across India stood at 19,467 in 2019 and 21,300 in 2018 a reduction of 1,833 (or 8.7 percent).

The number of police personnel put on protection duty in 2018 and 2019 for ministers, MPs, MLAs, judges, bureaucrats, etc., outnumbered their sanctioned strength for the job by around 35 percent.

**101. Answer: C**

Home Minister Amit Shah released the inaugural issue of the National Police K-9 Journal in New Delhi.

It is the first such publication in the country on the subject of Police Service K9s, Police Dogs. This is a unique initiative that will further enrich the subjects related to Police Service Dog, K-9, PSK teams in the country.

The event was attended by Home Secretary Ajay Bhalla, Directors General of Central Armed Police Forces and senior ranking Police Officers of the Forces, while CAPF personnel from all over the country attended through virtual conference.

**102. Answer: B**

The Reserve Bank of India has constructed a composite Digital Payments Index (DPI) to capture the extent of digitisation of payments across the country.

The RBI-DPI comprises 5 broad parameters that enable measurement of deepening and penetration of digital payments in the country over different time periods.

These parameters are

Payment Enablers (weight 25%),

Payment Infrastructure – Demand-side factors (10%),

Payment Infrastructure – Supply-side factors (15%),

Payment Performance (45%) and  
Consumer Centricity (5%).

The RBI-DPI has been constructed with March 2018 as the base period, i.e. DPI score for March 2018 is set at 100. The DPI for March 2019 and March 2020 work out to 153.47 and

207.84 respectively, indicating appreciable growth.

RBI-DPI shall be published on RBI's website on a semi-annual basis from March 2021 onwards with a lag of 4 months.

The base period for RBI-DPI is March 2018.

This means that the DPI score for March 2018 is set at 100.

**103. Answer: D**

Government has decided to extend the benefit of the scheme for Remission of Duties and Taxes on Exported Products (RoDTEP) to all export goods to boost exports.

The scheme will refund to exporters the embedded Central, State and local taxes that were so far not being given rebate or refunded.

The refund will be credited in the exporter's ledger account with Customs and used to pay Basic Customs duty on imported goods.

The RoDTEP rates will be notified shortly by the Department of Commerce, based on the recommendation of a Committee chaired by former Commerce and Home Secretary Dr. G.K. Pillai

**104. Answer: E**

All shops and commercial establishments employing ten or more people in Karnataka are now allowed to operate on a 24x7 basis, the state government.

The move is aimed at generating employment and accelerating economic growth.

The permission is subject to the establishments which employ ten or more people.

The state government also mandated that no employee will be made to work more than eight hours and in case of overtime the working hours should exceed ten hours a day and 48 hours in a week.

**105. Answer: C**

The Indian Space Research Organisation (ISRO) is set to launch Amazonia-1, the first satellite to have been developed completely in Brazil by the National Institute for Space Research (INPE), the Latin American nation's apex space research body.

Emirates SkyCargo, the freight division of Emirates airline, has executed a cargo charter to transport Amazonia-1 from Sao Jose dos Campos, Brazil to Chennai. This is the first time that Emirates SkyCargo has transported a space satellite from South America.

The satellite is due to be sent to space in February 2021 from the SatishDhawan Space Centre on the East coast of India.

India and Brazil signed a Framework Agreement for cooperation in the field of outer space in January 2004. Apart from this, an agreement on the programme of cooperation between the two space agencies was also signed. Under this, Brazil received data from ISRO's remote sensing satellite ResourceSAT-1.

**106. Answer: B**

Bharat Electronics Limited (BEL) has signed a contract with Indian Navy for initially supplying 20 Light Amplification by Stimulated Emission of Radiation Dazzlers (Laser Dazzlers) in New Delhi.

The BEL had earlier this month won the contract beating global Original Equipment Manufacturers (OEMs) in the global category. These would be manufactured by BEL, Pune plant.

Laser dazzler technology was developed by Defence Research and Development Organisation (DRDO).

This unique product is indigenously designed and developed for the first time for the Armed Forces.

**107. Answer: D**

India has been chosen as the IUCN-supported Asia Protected Areas Partnership (APAP) for 3 years and it could, on this capability, help different Asian nations in managing their protected areas.

About APAP :

The APAP is a regional platform to assist governments and different stakeholders to collaborate for more practical administration of protected areas (PA) within the region.

The APAP presently consists of 21 members from 17 nations together with China, Japan, South Korea, Nepal, Bhutan, Sri Lanka and Bangladesh.

The APAP, formally launched at the IUCN World Parks Congress in Australia in 2014, is

chaired by IUCN Asia and co-chaired by an APAP nation member.

India will substitute South Korea which held this place for 3 years until November, 2020.

Currently there are 21 members from 17 international locations.

**108. Answer: C**

Prime Minister inaugurates National Metrology Conclave 2021 through video conferencing.

National Metrology Conclave 2021 was organised by the Council of Scientific and Industrial Research-National Physical Laboratory, New Delhi.

Science and Technology Minister Dr. Harsh Vardhan and Director General, CSIR, ShekharMande and Principal Scientific Adviser to the Central Government, Professor K VijayRaghavanwere also present on the occasion.

Theme of 2021 : Meteorology for the Inclusive Growth of the Nation.

He also The National Atomic Time Scale generates Indian Standard Time with an accuracy of 2.8 nanosecond.

BhartiyaNirdeshakDravya aims at supporting testing and calibration of laboratories for quality assurance, at par with international standards.

**109. Answer: E**

Goa's 14-year-old Leon Mendonca has become India's 67th chess GrandMaster (GM) by winning the third and final norm at a tournament in Italy.

Mendonca, who achieved the feat at 14 years, 9 months and 17 days, is the second GM from the Coastal State.

The All India Chess Federation (AICF) acknowledged the development. Leon is the second Indian to become GM this year after G. Akash.

He achieved his first GM norm at the Rigo Chess GM Round Robin in October while the second came at the first Saturday in Budapest in November. His final GM norm came at the Vergani Cup in Italy that ended on December 30.

GM is a title awarded by FIDE ( International Chess Federation ). It is the highest title a chess player can obtain apart from World Champion.

#### 110. Answer: C

Former Union minister, ex-MP from Rajasthan and Congress leader Buta Singh passed away. He was 86.

About Buta Singh :

Born in 1934 in Punjab's Jalandhar, Buta Singh joined the Congress under Jawaharlal Nehru's leadership and was close to Indira Gandhi and Rajiv Gandhi, both.

Mr Singh was first elected to the Parliament in 1962.

He also served as the Home Minister in the Rajiv Gandhi government from 1986 to 1989, National President of Scheduled Caste Commission, governor for West Bengal and Bihar, and Union minister for Agriculture,

Railways, Commerce and Sports, among other departments.

He subsequently held many positions including those of the Union home minister and Union agriculture minister.

He was the chairperson of the National Commission For Scheduled Caste from 2007 to 2010.

He also authored a collection of articles on Punjabi literature and Sikh history and wrote a book Punjabi Speaking State: A Critical Analysis.

#### 111. Answer: C

In 2002, Born Free USA in coordination with the Avian Welfare Coalition launched the first annual National Bird Day to promote avian awareness.

Nature lovers, bird lovers, and bird watchers across the country annually recognize National Bird Day on January 5th.

According to Born Free USA, nearly 12 percent of the world's almost 10,000 bird species are in danger of extinction.

#### 112. Answer: D

Indian Railways' South Western Railway zone will start operating train services from Bengaluru city station to the newly built KIA, Devanahalli Railway halt station.

According to South Western Railway, three pairs of DEMU services would be introduced from the Bengaluru area to the Kempegowda International Airport (KIAD) Halt Station from



January 4. The new railway halt station is bound to benefit thousands of commuters daily

**113. Answer: E**

Prime Minister Narendra Modi will dedicate the Kochi - Mangaluru Natural Gas Pipeline to the nation through video conference.

The 'futuristic project', PM Modi said, will positively impact many people.

Modi said that it is a landmark day in India's quest for *Urja Aatmanirbharta*.

He said, this is a futuristic project that will positively impact many people.

The event marks an important milestone towards the creation of One Nation One Gas Grid.

The 450 kilometre long pipeline has been built by GAIL (India) Limited.

It has a transportation capacity of 12 Million Metric Standard Cubic Metres per day.

It will carry natural gas from the Liquefied Natural Gas (LNG) Regasification Terminal at Kochi, Kerala to Mangaluru, Karnataka, while passing through Ernakulam, Thrissur, Palakkad, Malappuram, Kozhikode, Kannur and Kasaragod districts.

The total cost of the project was about Rs.3000 crore and its construction created over 12 lakh man-days of employment.

Kerala Chief Minister Pinarayi Vijayan, Karnataka Chief Minister BS Yediyoorappa and Union Minister for Petroleum and Natural Gas Dharmendra Pradhan will participate in the inaugural function.

**114. Answer: C**

India launched the 40th Scientific Expedition to Antarctica.

This Indian expedition marks four decades of the country's scientific endeavour to the southern white continent.

The 40th expedition journey will be flagged off from Goa with 43 members onboard.

The chartered ice-class vessel MV Vasily Golovnin will make this journey and will reach Antarctica in 30 days.

After leaving behind a team of 40 members, it would return to India in April.

On return, it will also bring back the winter team of the preceding trip.

**115. Answer: B**

The Food Safety and Standards Authority of India (FSSAI) has capped the amount of trans fatty acids (TFA) in oils and fats to 3% for 2021 and 2% by 2022 from the current permissible limit of 5%.

This Regulation through an amendment to the Food Safety and Standards (Prohibition and Restriction on Sales) Regulations.

The revised regulation applies to edible refined oils, vanaspati (partially hydrogenated oils), margarine, bakery shortenings, and other mediums of cooking such as vegetable fat spreads and mixed fat spreads.

India first passed the TFA limit of 10% in oils and fats in 2011.



**116. Answer: D**

The 51st International Film Festival of India (IFFI) will open on 16th January, with the Indian premiere of the movie 'Another Round' by Thomas Vinterberg.

The movie starring Cannes Best Actor Award winner Mads Mikkelsen is among a star-studded line up of movies being showcased at IFFI. The movie is also Denmark's official entry to the Oscars.

The festival will also witness the World Premier of 'Mehrunisa'. The film by Sandeep Kumar will premier mid-fest.

**117. Answer: C**

Delhi Government Department of Art, Culture, and Language has set up a Tamil Academy to Promote the language and culture of the southern state of Tamil Nadu.

The Delhi government has appointed former municipal councillor and current member of Delhi Tamil Sangam N Raja as the vice-chairman of the academy.

The Department of Art, Culture and Language of the Delhi government has decided that the new academy will introduce various awards to promote and reward the good works of people in Tamil language and culture.

The government will also provide language courses through this academy.

It will also celebrate and organise cultural festivals for the people of Tamil Nadu.

**118. Answer: E**

On January 04, Justice S Muralidhar took oath as the 32nd Chief Justice of Orissa High Court. Governor of Odisha Prof. Ganeshi Lal administered the oath of office at Raj Bhawan in Bhubaneswar in a simple ceremony.

Justice S Muralidhar succeeds Justice Mohammad Rafiq as the new chief justice of the Orissa High Court.

S Muralidhar was appointed as an Additional Judge of Delhi High Court on May 29, 2006, and as Permanent Judge on August 29, 2007. Later, he was transferred to Punjab and Haryana High Court on March 6, 2020.

**119. Answer: C**

Department for Promotion of Industry and Internal Trade is organizing Udyog Manthan - a marathon of focused sector-specific webinars for promoting Quality and Productivity in Indian Industry.

It got underway Jan 4 and will go on till 2nd of March.

Commerce and Industry Minister Piyush Goyal will chair the session.

The webinar series comprising 45 sessions will cover various major sectors in manufacturing and services. Each webinar will be a two-hour session involving discussions led by sectoral and industry experts in a particular sector. Participants will include representatives from industry, testing and standardization bodies.

**120. Answer: D**

Union Minister Dharmendra Pradhan has inaugurated a migrant worker cell of Surat

Municipal Corporation (SMC) at Udhna based iLab in Surat.

Mr. Pradhan said that the migrant workers cell with linkage with the city livelihood centre will help extend all kinds of assistance and government-led benefits to them.

Migrant workers' Cell has been created by Surat Municipal Corporation for the first time in the Country under the 'National Urban Livelihood Mission Scheme'.

The city has a presence of over 15 lakh migrant workers.

He said that this cell will do a detailed mapping of migrant workers and classify them according to their skill.

This will help in connecting 'Shramshakti' to relevant industries and boost their livelihood and also ensure their dignity.

**121. Answer: B**

On January 04, 2021, Lieutenant Governor ManojSinha administered the oath of office to Justice PankajMithal as the new chief justice of the common high court for the Union Territory of Jammu & Kashmir and Union Territory of Ladakh.

Chief justice Mithal has been appointed in view of the retirement of chief justice Gita Mittal recently.

Chief Justice Mithal was administered the oath of office by Lieutenant Governor of J&k, ManojSinha.

**122. Answer: C**

Digital channels of PrasarBharati have registered more than 100 percent growth in 2020, with Pakistan being the second highest digital audience for Doordarshan (DD) and All India Radio (AIR).

The Ministry of Information and Broadcasting stated the channels across Doordarshan and Akashvani clocked over a billion digital views and over six billion digital watch minutes in the year.

During 2020, Pakistan accounted for the second highest digital audience for DD and AIR content after domestic audience.

During 2020, PrasarBharati's mobile application 'NewsOnAir' added more than 2.5 million users with the platform registering over 300 million views.

PrasarBharati Archives and DD Kisan have been steady digital performers featuring in top 10.

**123. Answer: D**

The US Congress has passed the MalalaYousafzai Scholarship Act which will expand the number of scholarships available to Pakistani women to receive higher education under a merit and needs-based programme.

The bill was passed by the United States Senate by a voice vote on January 1.

The bill now heads to the White House for US President Donald Trump to sign into law.

About the bill :

The bill requires the US Agency for International Development to award at least 50 percent of

scholarships under a Pakistan-based higher education scholarship programme to Pakistani women, from 2020 to 2022, across a range of academic disciplines and in accordance with existing eligibility criteria.

The bill also requires USAID to consult with and leverage investments by the Pakistani private sector and Pakistani diaspora in the United States to improve and expand access to education programmes in Pakistan.

**124. Answer: E**

North Zone Cultural Centre, Patiala (Ministry of Culture, Govt. of India) and Jammu & Kashmir Academy of Art, Culture & Languages, Jammu is jointly organizing National Folk Dance Festival from December 26-28.

The festival is of five days and for three days it will be organised at Abhinav Theatre, Jammu. Artists from Jammu and Kashmir, Gujarat, Rajasthan, Madhya Pradesh, Odisha, Punjab, Assam, Tripura, Maharashtra, Telangana and Haryana, will participate in it.

The festival is part of our efforts to bring together tribal artists from different regions of

the country. Encourage them and ensure that arts forms are showcased to the people. It's a way to preserve the great cultural traditions of India.

This Festival was inaugurated by Former Deputy CM, Kevinder Gupta, S D Singh Jamwal and senior Journalist SohailKazmi was also Present.

**125. Answer: C**

India has sent over six tons of relief material to Fiji for its cyclone-affected people, reflecting its close ties with the island nation in the South Pacific.

Fiji was hit by cyclone Yasa on December 17 and 18 that caused extensive damage and destruction of critical infrastructure.

Disaster Risk Reduction and Management is an important pillar of India's Indo-Pacific Oceans' Initiative announced by Prime Minister Narendra Modi in November 2019.

The Ministry of External Affairs said, India remains committed to extend full support to Fiji's efforts to restore livelihoods of the affected communities and to build resilient infrastructure.

**Dear Friends, this is the Special Paid Bundle PDF Course which was made because of the Hard work of Our Experts Team. This PDF Course consists of High-Standard Questions on Reasoning, Quants, English, Current Affairs Quiz, Static GK Quiz and Banking Awareness Quiz Exactly on Exam Level. Total 40,000 Questions and Course Duration is of 50 Days for each exam. If anyone got this PDF without purchasing it, kindly buy this PDF Officially using the link given below. This will encourage us to work harder to produce high quality content for you in upcoming days.**

**[Get Our Special Grand Bundle PDF Course for All Upcoming Bank Exams](#)**

**[Click Here to Get our Grand Bundle PDF Course to Access 40,000 Qus \(Eng+Hin\) with Video Solution](#)**

**Website:**[www.guidely.in](http://www.guidely.in) | **Blog:**[www.ibpsguide.com](http://www.ibpsguide.com) | **Email:**[support@guidely.in](mailto:support@guidely.in)

Dear Friends, this is the Special Paid Bundle PDF Course which was made because of the Hard work of Our Experts Team. This PDF Course consists of High-Standard Questions on Reasoning, Quants, English, Current Affairs Quiz, Static GK Quiz and Banking Awareness Quiz Exactly on Exam Level. Total 40,000 Questions and Course Duration is of 50 Days for each exam. If anyone got this PDF without purchasing it, kindly buy this PDF Officially using the link given below. This will encourage us to work harder to produce high quality content for you in upcoming days.

[Get Our Special Grand Bundle PDF Course for All Upcoming Bank Exams](#)

# Grand Bundle PDF Course 2021

Exams Covered:  
SBI Clerk | SBI PO | IBPS RRB PO |  
IBPS RRB Clerk | IBPS PO | IBPS Clerk

Separate PDF Course for All Major **Bank Pre + Mains** Exams

- Total No. of Ques.: **40,000+**
- Question in Bilingual (**Eng & Hindi**)
- Answers With Detailed **Video Solution**
- Provides you **50 days Study Planner** for each exams
- **Covers all types** of questions in each topic
- Questions in **Exact Exam Level**
- All Our PDFs are **Downloadable**
- **100% Satisfaction Assured** & It's Worthy for your money

1. Which one of the following is an international communications standard for sending voice, video and data over digital telephone lines?

- a) DSL
- b) ISDN
- c) Leased line
- d) Broadband
- e) None of These

2. Which of the following is true about Java?

- a) It is an OOP language
- b) It is Platform Independent
- c) It provides more security
- d) It was designed by Sun Microsystems.
- e) All the above

3. Which one of the following is the unit of Storage containing record?

- a) Hash
- b) Bucket
- c) Block
- d) De- Block
- e) None of These

4. \_\_\_\_ is used to find physical address for a given IP address and \_\_\_\_ is used to find IP address for a given physical address?

- a) RARP, ARP
- b) ARP, RARP
- c) ICMP, IGMP
- d) IGMP, ICMP
- e) None of these

5. \_\_\_\_\_ is a memory management technique in which each job is divided into several segments of different sizes, one for each module that contains pieces that perform related functions?

- a) Segmentation
- b) Fragmentation
- c) Memory Allocation
- d) Paging
- e) None of these

6. Which one of the following Testing is done by Developers?

- a) Grey box
- b) White box
- c) Black box
- d) Mutation
- e) None of these

7. Grey box Testing is done by \_\_\_\_\_?

- a) Tester
- b) Developer
- c) Customer
- d) All of these
- e) None of these

8. Which one of the testing is used to test basic needs of an application?

- a) Retesting
- b) Prototype
- c) Adhoc
- d) Smoke



e) None of these

**9. Which one of the following is a specific character string that constitutes a reference to a resource?**

- a) Browser
- b) Domain
- c) Hyperlink
- d) URL
- e) None of these

**10. \_\_\_\_ is a numeric address whose binary bit are supported by ( . )**

- a) Ipv4
- b) Ipv6
- c) ICMP
- d) IGMP
- e) None of these

**11. \_\_\_\_\_ is used to specify the intersecting of row and column of the letter and number on worksheet?**

- a) Mixed address
- b) Absolute address
- c) Cell address
- d) Relative address
- e) None of these

**12. At least one resource must be held in a non-shareable mode. Otherwise, the processes would not be prevented from using the resource when necessary is known as \_\_\_\_\_?**

- a) Non preemptive
- b) Mutual exclusion

c) Partial allocation

d) Circular wait

e) None of these

**13. Which of the following shortcut key is used for print preview?**

- a) Ctrl + K
- b) Ctrl + F
- c) Ctrl + F12
- d) Ctrl + F2
- e) None of these

**14. The process of transferring documents, graphics, and other objects from your computer to a server on the Internet is called \_\_\_\_\_**

- a) Downloading
- b) Buffering
- c) Streaming
- d) Uploading
- e) None of these

**15. Which one is on the right end of the task bar consists of clock date and time , icons of certain programs, computer setting sound and icons of removable disk?**

- a) Start button
- b) Middle button
- c) Notification area
- d) Gadgets
- e) None of these



16. Which one of the following commands is used to cancel previously granted or denied permissions?

- a) Commit
- b) Rollback
- c) Revoke
- d) Grant
- e) None of These

17. Which operators is used to combine the column name?

- a) ||
- b) \*
- c) =
- d) –
- e) None of these

18. Which one is not a Necessary conditions for deadlock ?

- a) Non preemptive
- b) Preemptive
- c) Partial allocation

- d) Circular wait
- e) None of these

19. Each process must be waiting for a resource which is being held by another process, which in turn is waiting for the first process to release the resource. then it is called as \_\_\_\_?

- a) Non preemptive
- b) Mutual exclusion
- c) Partial allocation
- d) Circular wait
- e) None of these

20. Always make sure the lower limit is lesser than the upper limit value is known as \_\_\_\_?

- a) In condition
- b) Like condition
- c) Isnull condition
- d) Between and condition
- e) None of these

**Answer With Explanation:**

1. Answer: B

**Integrated Services Digital Network (ISDN)**

It is an international communications standard for sending voice, video and data over digital telephone lines.

2. Answer: E

**Java**

It is an OOP language.

It is Platform Independent.

It provides more security.

It was designed by Sun Microsystems.

3. Answer: B

**Bucket**

- Unit of storage containing records.

[Click Here to Get our Grand Bundle PDF Course to Access 40,000 Qus \(Eng+Hin\) with Video Solution](#)





- Bucket is a disk block or contiguous block .
- Bucket contains multiple records.

**4. Answer: B**

Address Resolution Protocol (ARP) is used to find physical address for a given IP address and Reverse Address Resolution Protocol (RARP) is used to find IP address for a given physical address.

**5. Answer: A**

**Segmentation**

Segmentation is a memory management technique in which each job is divided into several segments of different sizes, one for each module that contains pieces that perform related functions.

**6. Answer: B**

**White box**

White box Testing is done by Developers.

Other name for White box Testing

- Transparent Testing
- Structural Testing
- Unit Testing
- Design based Testing
- Code based Testing
- Open box Testing

**7. Answer: D**

**Grey box**

Grey box Testing is done by Developer ,Tester and Customer.

Other name for Grey box Testing

- Translucent testing.

**8. Answer: D**

**Smoke testing**

Smoke testing is used to test basic needs of an application.

Othername of Smoke testing

- Skim testing
- Confidence testing
- Limited testing
- Dry-run testing
- Sanity testing

**9. Answer: D**

Uniform Resource Locator (URL) is a specific character string that constitutes a reference to a resource.

**10. Answer: A**

Ipv4 is a numeric address whose binary bit are supported by ( . )

IP address -> 32bit

**11. Answer: C**

Cell address is used to specify the intersecting of row and column of the letter and number on worksheet.

**12. Answer: B**

**Mutual exclusion**

At least one resource must be held in a non-shareable mode. Otherwise, the processes would not be prevented from using the resource when



necessary. Only one process can use the resource at any given instant of time

**13. Answer: D**

Print preview

- Ctrl + F2

**14. Answer: D**

**uploading**

The process of transferring documents, graphics, and other objects from your computer to a server on the Internet is called uploading

**15. Answer: C**

**Notification area**

It is on the right end of the task bar consists of clock date and time , icons of certain programs, computer setting sound and icons of removable disk.

**16. Answer: C**

**Revoke**

Cancel previously granted or denied permissions.

**17. Answer: A**

**Concatenation Operator**

Concatenation Operator (or) || operators is used to combine the column name.

Combine the column name by using |

**18. Answer: B**

Necessary conditions for deadlock are

- Non preemptive
- circular wait
- Mutual exclusion
- partial allocation

**19. Answer: D**

**Circular wait**

Each process must be waiting for a resource which is being held by another process, which in turn is waiting for the first process to release the resource.

**20. Answer: D**

**Between and condition**

Always make sure the lower limit is lesser than the upper limit value is known as Between and condition.

Example

Select \* from emp

Where deptno between 30 and 40.

Dear Friends, this is the Special Paid Bundle PDF Course which was made because of the Hard work of Our Experts Team. This PDF Course consists of High-Standard Questions on Reasoning, Quants, English, Current Affairs Quiz, Static GK Quiz and Banking Awareness Quiz Exactly on Exam Level. Total 40,000 Questions and Course Duration is of 50 Days for each exam. If anyone got this PDF without purchasing it, kindly buy this PDF Officially using the link given below. This will encourage us to work harder to produce high quality content for you in upcoming days.

[Get Our Special Grand Bundle PDF Course for All Upcoming Bank Exams](#)