

Dear Friends, this is the Special Paid Bundle PDF Course which was made because of the Hard work of Our Experts Team. This PDF Course consists of High-Standard Questions on Reasoning, Quants, English, Current Affairs Quiz, Static GK Quiz and Banking Awareness Quiz Exactly on Exam Level. Total 40,000 Questions and Course Duration is of 50 Days for each exam. If anyone got this PDF without purchasing it, kindly buy this PDF Officially using the link given below. This will encourage us to work harder to produce high quality content for you in upcoming days.

[Get Our Special Grand Bundle PDF Course for All Upcoming Bank Exams](#)

Grand Bundle PDF Course 2021

Exams Covered:
SBI Clerk | SBI PO | IBPS RRB PO |
IBPS RRB Clerk | IBPS PO | IBPS Clerk

Separate PDF Course for All Major **Bank Pre + Mains** Exams

- ➔ Total No. of Ques.: **40,000+**
- ➔ Question in Bilingual (**Eng & Hindi**)
- ➔ Answers With Detailed **Video Solution**
- ➔ Provides you **50 days Study Planner** for each exams
- ➔ **Covers all types** of questions in each topic
- ➔ Questions in **Exact Exam Level**
- ➔ All Our PDFs are **Downloadable**
- ➔ **100% Satisfaction Assured** & It's Worthy for your money

Reasoning Ability

Directions (1-5): Study the following information carefully and answer the questions given below.

Twelve persons viz. A, B, C, D, E, F, G, H, I, J, K and L are seated in two parallel rows such that six persons are seated in each row and the persons in both the rows are facing towards each other, but not necessarily in the same order.

G sits second from one of the ends and faces the one who sits four persons away from C. B sits adjacent to F and the one who faces C who does not face F. Only three persons sit to the left of E who doesn't face north but faces towards K. A sits second to the left of K. L sits to the immediate right of H where neither of them sits at the ends. Both I and K sit in the same row where at least two persons sit between them. J doesn't sit at any of the ends.

1) Who among the following person sits second to the right of E?

- A. J
- B. G
- C. D
- D. I
- E. None of these

2) How many persons are there between L and the one who faces A?

- A. One
- B. Two
- C. Three
- D. More than three
- E. None

3) If all the persons are made to sit in alphabetical order from left to right within their row, then how many persons remain unchanged in their position?

- A. Two
- B. Four
- C. Five
- D. Three
- E. None of these

4) Which of the following statement is/are true with respect to the final arrangement?

- A. J sits to the immediate right of E and faces towards G
- B. Three persons sit between B and H
- C. Both K and L face the same direction
- D. F sits third from one of the ends and adjacent to E
- E. More than one statement is true

5) Who among the following person sits fourth to the left of the one who faces H?

- A. The one who faces K
- B. The one who faces J
- C. The one who sits adjacent to E
- D. The one who sits at the leftmost end and face north
- E. None of these

Directions (6-10): Study the following information carefully and answer the questions given below.

Seven games viz. Cards, Carrom, Chess, Dice, Ludo, Miniature and Puzzles are played on seven different days of the same week starting from Monday to Sunday, but not necessarily in the same order.

Miniature was played three days before Ludo which is not played at the last. Only one game is played between Ludo and Puzzles which is not played after Ludo. Chess was played two days before Puzzles. The number of games played between Chess and Miniature is two less than the number of games played between Puzzles and Cards. Dice was played before Carrom which was not played after Cards.

6) Which of the following game was played immediately after Ludo?

- A. Chess
- B. Cards
- C. Carrom
- D. Dice
- E. None of these

7) On which of the following day Puzzles was played?

- A. The day immediately before Cards
- B. Tuesday
- C. Two days after Dice
- D. Thursday
- E. None of these

8) If Dice is related to Wednesday and Carrom is related to Sunday in a certain way, then which of the following game is related to Friday?

- A. Miniature
- B. Chess
- C. Cards
- D. Ludo
- E. None of these

9) How many days are there between the day on which Dice and Ludo are played?

- A. One
- B. Two
- C. Three
- D. More than three
- E. None

10) If all the games are played one day later, then which of the following game is played on Thursday?

- A. Carrom
- B. Cards
- C. Miniature
- D. Ludo
- E. None of these

Directions (11-15): Study the following information carefully and answer the questions given below.

Ten persons viz. Q, R, S, T, U, V, W, X, Y and Z are living in two different flats viz. Flat A and Flat B of a five storey building, but not necessarily in the same order. Flat A is to the west of Flat B. The lowermost floor is numbered 1 and the floor immediately above is numbered 2 and so on.

T lives two floors above S who lives to the immediate east of Y. T and S are not living in same flat. V lives on the floor immediately above Y but not in the same flat. X lives on the topmost floor and in the same flat as V. The number of floors below X is one more than the number of floors below R. The position of R with respect to S is the same as the position of W with respect to U. Q neither lives in an odd numbered floor nor in the same floor with R.

11) Who among the following person lives on the same floor with W?

- A. V
- B. R
- C. X
- D. Q
- E. None of these

12) How many persons live below W in the same flat?

- A. One
- B. Two
- C. Three
- D. Four
- E. Cannot be determined

13) In which of the following floor and flat does Z live?

- A. Flat B, floor 2
- B. Flat A, floor 1
- C. Flat B, floor 3
- D. Flat A, floor 5

E. None of these

14) Four of the following five are alike in a certain way and hence form a group. Find the one that doesn't belong to that group.

- A. Y
- B. X
- C. R
- D. U
- E. Z

15) Who among the following person lives two floors below R in different flats?

- A. The one who lives immediately above Z in the same flat
- B. The one who lives two flats below X
- C. The one who lives three floors below V
- D. The one who lives in the same floor with W
- E. None of these

Directions (16-20): In each of the following questions, the relationship between different elements is shown in the statements followed by two conclusions. Find the conclusion which is definitely true.

16) Statements:

$$M < X \leq N < V = J > O \geq G > I$$

Conclusions:

- I. $M < J$
- II. $V \geq I$
- A. If only conclusion I follows.
- B. If only conclusion II follows.
- C. If either conclusion I or II follows.

- D. If neither conclusion I nor II follows.
E. If both conclusions I and II follow.

17) Statements:
 $N > T \geq K > Z \leq O \geq G > B > C$
Conclusions:

 I. $N > G$

 II. $Z < C$

- A. If only conclusion I follows.
B. If only conclusion II follows.
C. If either conclusion I or II follows.
D. If neither conclusion I nor II follows.
E. If both conclusions I and II follow.

18) Statements:
 $M < V \leq L = K; T \geq G = S \geq K; O = Q \leq T$
Conclusions:

 I. $V < T$

 II. $V = T$

- A. If only conclusion I follows.
B. If only conclusion II follows.
C. If either conclusion I or II follows.
D. If neither conclusion I nor II follows.

- E. If both conclusions I and II follow.

19) Statements:
 $Y \geq M > R = B; P \leq K < L < Y; P > S = Z$
Conclusions:

 I. $S < Y$

 II. $Y > B$

- A. None follows
B. Only I follows
C. Only II follows
D. Either I or II follows
E. Both I and II follow

20) Statements:
 $D \leq N < R < W; T > Y \geq Z < D; J < G < T$
Conclusions:

 I. $G < W$

 II. $T < R$

- A. None follows
B. Only I follows
C. Only II follows
D. Both I and II follow
E. Either I or II follows

[Click Here to Get the Detailed Video Solution for the above given Questions](#)

Or Scan the QR Code to Get the Detailed Video Solutions



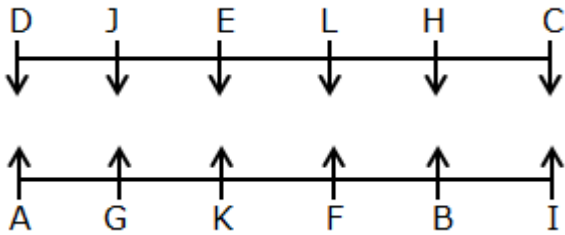
[Click Here to Get our Grand Bundle PDF Course to Access 40,000 Qus \(Eng+Hin\) with Video Solution](#)

Website: www.guidely.in | Blog: www.ibpsguide.com | Email: support@guidely.in

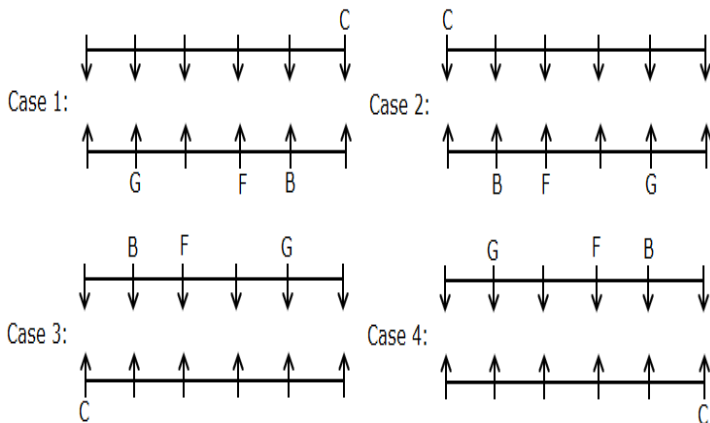
Answer Key with Explanation

Directions (1-5):

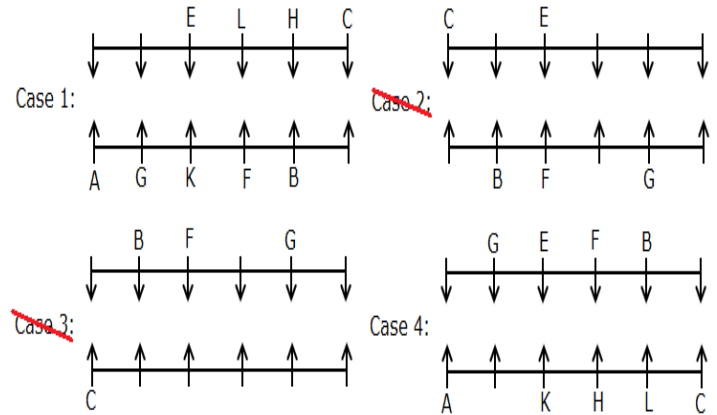
- 1) Answer: C
- 2) Answer: B
- 3) Answer: D (A, C, J)
- 4) Answer: A
- 5) Answer: D



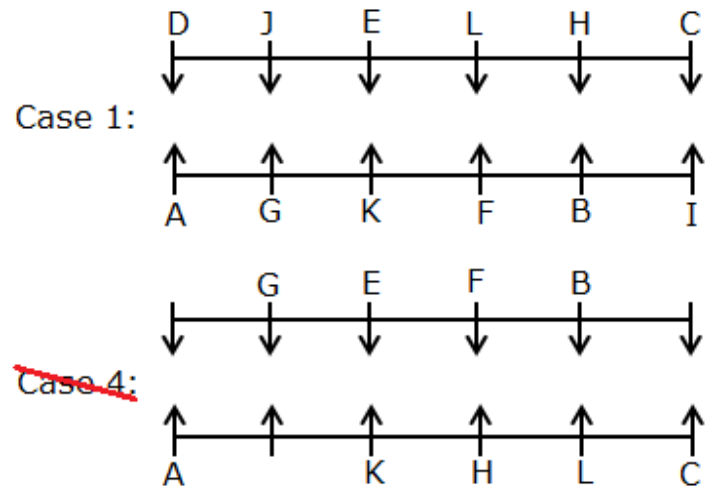
1. G sits second from one of the ends and faces the one who sits four persons away from C. B sits adjacent to F and the one who faces C who does not face F.



2. Only three persons sit to the left of E who doesn't face north but faces towards K. A sits second to the left of K. L sits to the immediate right of H where neither of them sits at the ends. Hence, cases 2 and 3 get eliminated.



3. Both I and K sit in the same row where at least two persons sit between them. J doesn't sit at any of the ends. Hence, case 4 gets eliminated.



Directions (6-10):

- 6) Answer: B
- 7) Answer: D
- 8) Answer: A
- 9) Answer: D
- 10) Answer: C

Days	Monday	Tuesday	Wednesday	Thursday	Friday	Saturday	Sunday
Games	Dice	Chess	Miniature	Puzzles	Carrom	Ludo	Cards

[Click Here to Get our Grand Bundle PDF Course to Access 40,000 Qus \(Eng+Hin\) with Video Solution](#)

Website: www.guidely.in | Blog: www.ibpsguide.com | Email: support@guidely.in

1. Miniature was played three days before Ludo which is not played at the last. Only one game is played between Ludo and Puzzles which is not played after Ludo.

	Days	Monday	Tuesday	Wednesday	Thursday	Friday	Saturday	Sunday
Case 1	Games			Miniature	Puzzles		Ludo	
Case 2	Games		Miniature	Puzzles		Ludo		
Case 3	Games	Miniature	Puzzles		Ludo			

2. Chess was played two days before Puzzles.

The number of games played between Chess and Miniature is two less than the number of games played between Puzzles and Cards.

Hence, case 3 gets eliminated.

	Days	Monday	Tuesday	Wednesday	Thursday	Friday	Saturday	Sunday
Case 1	Games	Cards	Chess	Miniature	Puzzles		Ludo	
Case 1a	Games		Chess	Miniature	Puzzles		Ludo	Cards
Case 2	Games	Chess	Miniature	Puzzles		Ludo	Cards	
Case 3	Games	Miniature	Puzzles		Ludo			

3. Dice was played before Carrom which was not played after Cards. Hence, cases 1 and 2 get eliminated.

	Days	Monday	Tuesday	Wednesday	Thursday	Friday	Saturday	Sunday
Case 1	Games	Cards	Chess	Miniature	Puzzles	Dice	Ludo	Carrom
Case 1a	Games	Dice	Chess	Miniature	Puzzles	Carrom	Ludo	Cards
Case 2	Games	Chess	Miniature	Puzzles	Dice	Ludo	Cards	Carrom

Directions (11-15):

11) Answer: D

12) Answer: A

13) Answer: B

14) Answer: C

15) Answer: D

Floor	Flat A	Flat B
5	T	X
4	R	V
3	Y	S
2	W	Q
1	Z	U

1. T lives two floors above S who lives to the immediate east of Y. V lives on the floor immediately above Y but not in the same flat. T and S are not living in same flat.

	Case 1		Case 2		Case 3	
Floor	Flat A	Flat B	Flat A	Flat B	Flat A	Flat B
5	T					
4		V	T			
3	Y	S		V	T	
2			Y	S		V
1					Y	S

2. X lives on the topmost floor and in the same flat as V. The number of floors below X is one more than the number of floors below R.

	Case 1		Case 2		Case 3		Case 3a	
Floor	Flat A	Flat B	Flat A	Flat B	Flat A	Flat B	Flat A	Flat B
5	T	X		X		X		X
4	R	V	T	R	R			R
3	Y	S		V	T		T	
2			Y	S		V		V
1					Y	S	Y	S

3. The position of R with respect to S is the same as the position of W with respect to U. Q neither lives in an odd numbered floor nor in the same floor with R. Hence, case 2, 3 and 3a get eliminated.

	Case 1		Case 2		Case 3		Case 3a	
Floor	Flat A	Flat B	Flat A	Flat B	Flat A	Flat B	Flat A	Flat B
5	T	X		X		X	W	X
4	R	V	T	R	R			R
3	Y	S	W	V	T		T	
2	W	Q	Y	S		V	U	V
1	Z	U	U		Y	S	Y	S

Directions (16-20):

16) Answer: A

17) Answer: D

18) Answer: C

19) Answer: E

20) Answer: A

Dear Friends, this is the Special Paid Bundle PDF Course which was made because of the Hard work of Our Experts Team. This PDF Course consists of High-Standard Questions on Reasoning, Quants, English, Current Affairs Quiz, Static GK Quiz and Banking Awareness Quiz Exactly on Exam Level. Total 40,000 Questions and Course Duration is of 50 Days for each exam. If anyone got this PDF without purchasing it, kindly buy this PDF Officially using the link given below. This will encourage us to work harder to produce high quality content for you in upcoming days.

[Get Our Special Grand Bundle PDF Course for All Upcoming Bank Exams](#)

Dear Friends, this is the Special Paid Bundle PDF Course which was made because of the Hard work of Our Experts Team. This PDF Course consists of High-Standard Questions on Reasoning, Quants, English, Current Affairs Quiz, Static GK Quiz and Banking Awareness Quiz Exactly on Exam Level. Total 40,000 Questions and Course Duration is of 50 Days for each exam. If anyone got this PDF without purchasing it, kindly buy this PDF Officially using the link given below. This will encourage us to work harder to produce high quality content for you in upcoming days.

[Get Our Special Grand Bundle PDF Course for All Upcoming Bank Exams](#)

Grand Bundle PDF Course 2021

Exams Covered:
SBI Clerk | SBI PO | IBPS RRB PO |
IBPS RRB Clerk | IBPS PO | IBPS Clerk

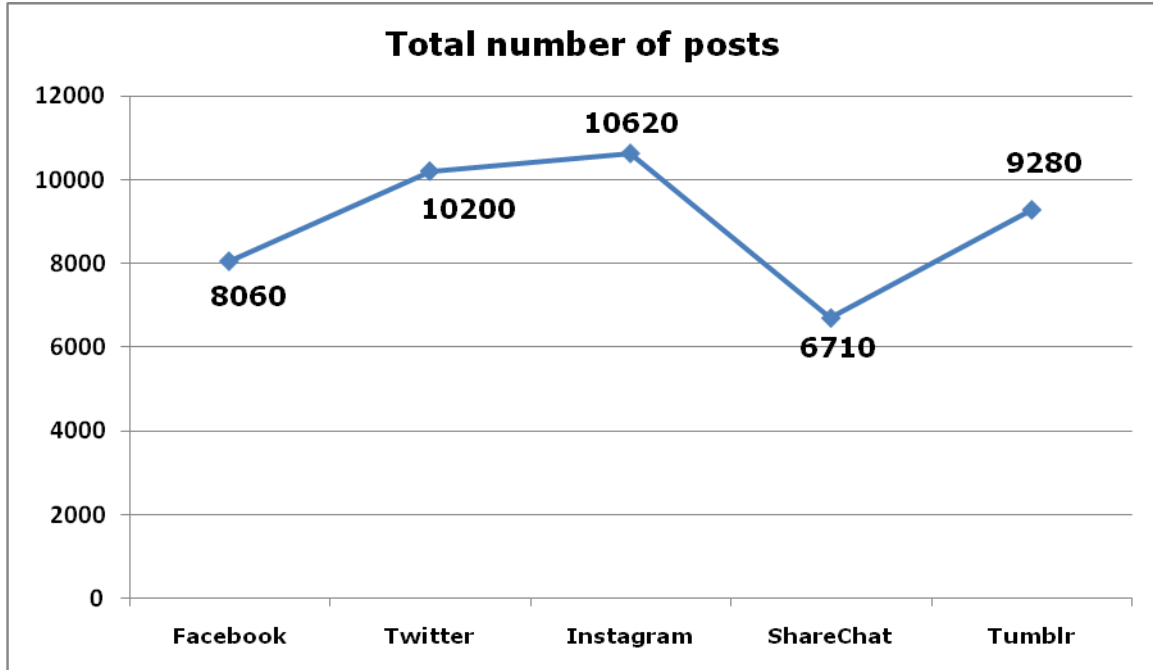
Separate PDF Course for All Major **Bank Pre + Mains** Exams

- ➔ Total No. of Ques.: **40,000+**
- ➔ Question in Bilingual (**Eng & Hindi**)
- ➔ Answers With Detailed **Video Solution**
- ➔ Provides you **50 days Study Planner** for each exams
- ➔ **Covers all types** of questions in each topic
- ➔ Questions in **Exact Exam Level**
- ➔ All Our PDFs are **Downloadable**
- ➔ **100% Satisfaction Assured** & It's Worthy for your money

Quantitative Aptitude

Directions (01-05): Study the following information carefully and answer the questions given below.

The given line graph shows the number of posts (Photos + videos) on five different social media platforms.



1) If the number of videos posted on Facebook is 24% of the total number of photos post on Facebook, then find the number of photos posts on Facebook?

- a) 6500
- b) 6800
- c) 7000
- d) 7200
- e) 7500

2) Ratio of the number of videos to photos posted on Twitter and Tumblr is 1:5 and 4:25 respectively. The number of videos posted on Tumblr is what percent of the number of videos posted on Twitter?

- a) 71.69%

- b) 73.71%
- c) 75.29%
- d) 77.31%
- e) 79.03%

3) The number of videos posted on ShareChat is $\frac{11}{50}$ of the number of photos posted on the same social media. Find the difference between the number of videos and photos posted on ShareChat?

- a) 4270
- b) 4290
- c) 4310
- d) 4260
- e) 4230

[Click Here to Get our Grand Bundle PDF Course to Access 40,000 Qus \(Eng+Hin\) with Video Solution](#)

4) The number of videos posted on Instagram is 18% of the number of photos posted on the same social media. The number of photos posted on Instagram is what percent of the total number of posts on Twitter?

- a) 81.94%
- b) 83.45%
- c) 85.63%
- d) 88.23%

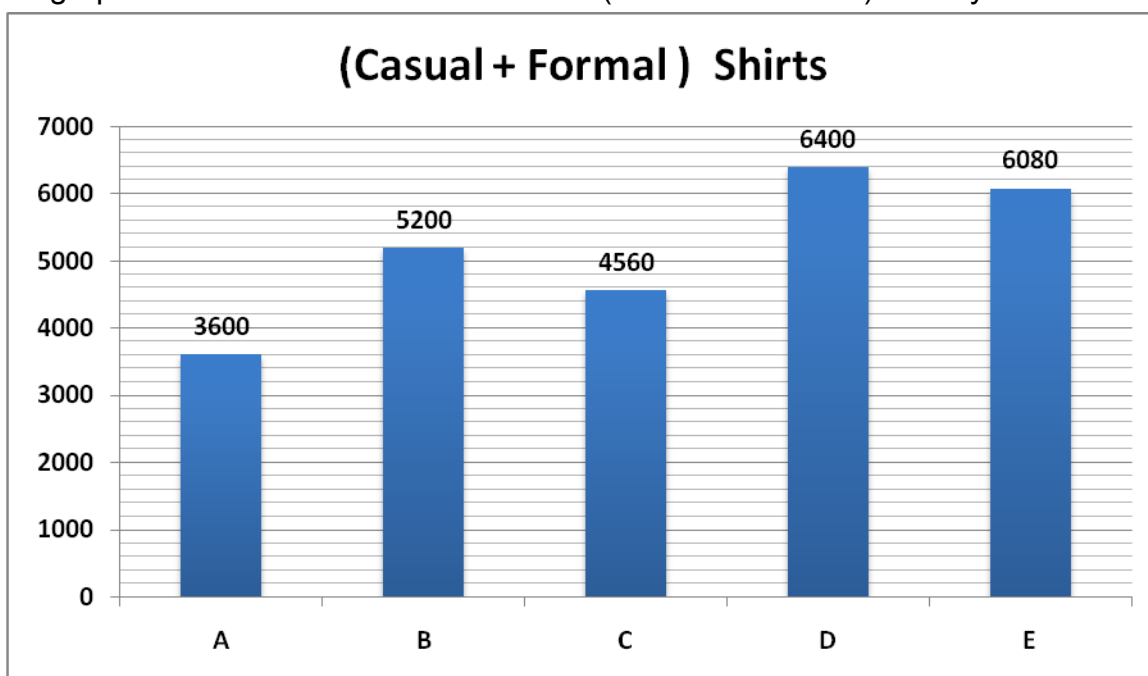
e) 90.37%

5) Find the average number of posts on all the social media together?

- a) 8974
- b) 8978
- c) 8976
- d) 8972
- e) None of these

Directions (06-10): Study the following information carefully and answer the questions given below.

The given bar graph shows the total number of shirts (casual and formal) sold by five different shops.



6) Ratio of the number of casual to formal shirts sold by shop C is 11:8 and the number of formal shirts sold in D is 60% of the number of casual shirts sold by the same shop. The number of casual shirts sold by shop C is what percent of the number of casual shirts sold by shop D?

- a) 62%
- b) 66%
- c) 68%
- d) 71%

e) 74%

7) The number of casual shirt sold by shop A is 40% more than the number of formal shirts sold in the same shop and the ratio of the number of formal to casual shirts sold in B is 9:4. Find the ratio of the number of formal shirts sold by shop A to the number of casual shirts sold by shop B?

- a) 13:14
- b) 12:13
- c) 15:16

[Click Here to Get our Grand Bundle PDF Course to Access 40,000 Qus \(Eng+Hin\) with Video Solution](#)

- d) 3:4
- e) None of these
- 8) Ratio of the number of formal to casual shirts sold by shop B, C and D is 9:4, 8:11 and 3:5 respectively. Find the average number of formal shirts sold in B, C and D?
- a) 2640
- b) 2650
- c) 2660
- d) 2670
- e) 2630
- 9) The total number of shirts sold by shop F is the average of the total number of shirts sold by shop E and B. If the number of formal shirts sold in F is 3740, then find the number of casual shirts sold by shop F?
- a) 1850
- b) 1700
- c) 1800
- d) 1900
- e) 1950
- 10) The number of shirts sold by shop H is the sum of the number of shirts sold by shop A and D together. Find the ratio of the number of shirts sold by shop H to E?
- a) 25:14
- b) 5:3
- c) 125:77
- d) 15:7
- e) None of these

11) Anitha and Vanitha started the business and the investment of Anitha is 25% more than the investment of Vanitha. After 12 months Sania joined with the investment of Rs.2700. At the end of three years, the total profit of the business is Rs.17100 and the profit share of Anitha is Rs.7500, then find the initial investment of Vanitha?

- a) Rs.3000
- b) Rs.3600
- c) Rs.4000
- d) Rs.4500
- e) Rs.4800

12) Train A 400 m long is travelling at the speed of 54 kmph. Another train B is coming from the opposite direction and travelling at the speed of 81 kmph. It takes them 19.2 seconds to cross each other completely. If the ratio of the length of the train B to the platform is 8:5, then find the time taken by train B crosses that platform?

- a) 23.11 seconds
- b) 25.33 seconds
- c) 27.22 seconds
- d) 29.18 seconds
- e) 21.21 seconds

13) The present age of Dhanush is 25% more than the present age of Siva. If the average of the ages of Dhanush, Siva and Aniruth is 31 years and when Aniruth was born, the age of Dhanush is 5 years, then find the present age of Aniruth?

- a) 27

- b) 30
- c) 32
- d) 24
- e) 33

14) A shopkeeper mixed two different qualities of oil, one costing Rs.60 per liter and the other is Rs.96 per liter in the ratio of 3:2 and sold the mixture at Rs.82.4 per liter. Find the profit percentage?

- a) 7.75%
- b) 8.75%
- c) 9.75%
- d) 10.75%
- e) 11.68%

15) A sum of Rs.5600 becomes Rs.8960 after four years at simple interest. If Rs.4500 is invested in compound interest at the same rate of interest for 3 years, then find the compound amount received after 3 years(Approximately)?

- a) Rs.6800
- b) Rs.6700
- c) Rs.6600
- d) Rs.6500
- e) Rs.7000

16) A alone complete the work in x days and B alone complete the same work in $(x + 2)$ days and the efficiency of B is 25% less that of C. If A, B and C together can complete 75% of the work in $1\frac{7}{11}$ days, then find the value of x ?

- a) 4
- b) 3

- c) 6
- d) 5
- e) 7

17) A boat covers 540 km downstream in t minutes. If the speed of the boat is increased by 20%, then the time taken by the same boat to cover the same downstream distance is $(t - 24)$ minutes. If the ratio of the speed of the boat in still water to current is 5:4, then find the upstream speed of the boat?

- a) 12 kmph
- b) 15 kmph
- c) 18 kmph
- d) 20 kmph
- e) None of these

18) The breadth of the rectangle is 40% of its length. If the length of the rectangle is decreased by 50%, then the area of the rectangle is increased by 25%. Find the percentage increase of the breadth of the rectangle?

- a) 120%
- b) 250%
- c) 180%
- d) 200%
- e) 150%

19) The marked price of article B is 75% of the marked price of article A and the selling price of article A to B is in the ratio of 1:1. The discount of article B is $33\frac{1}{3}\%$ of the discount of article A. If the selling price of article A is Rs.3000, then find the marked price of article A?

- a) Rs.4800

- b) Rs.5200
- c) Rs.4200
- d) Rs.4500
- e) Rs.5600

20) Every year the population of China is decreasing by 10% compared to the previous year. In 2020 the total population of China is 218700, what is the total population of China in 2017?

- a) 320000
- b) 350000
- c) 360000
- d) 380000
- e) None of these

Directions (21-26): Find out the wrong number in the following number series.

21) 13, 16, 22, 26, 38, 64

- a) 26
- b) 16
- c) 64
- d) 22
- e) 38

22) 16, 24, 36, 54, 81, 124

- a) 24
- b) 81
- c) 36
- d) 54
- e) 124

23) 6, 23, 49, 85, 136, 201

- a) 85

- b) 201
- c) 23
- d) 136
- e) 49

24) 12, 30, 50, 74, 108, 154

- a) 50
- b) 108
- c) 30
- d) 154
- e) 74

25) 1, 10, 36, 44, 69, 78

- a) 69
- b) 10
- c) 78
- d) 36
- e) 44

26) 13, 20, 36, 63, 108, 158

- a) 108
- b) 20
- c) 158
- d) 36
- e) 63

Directions (27-32): What approximate value should come in the place of (?) in the following questions.

27) $(804.91 \div \sqrt{530}) * \sqrt{730} = ? * \sqrt{50}$

- a) 115
- b) 120
- c) 125
- d) 130

e) 135

28) $25.05^2 + 8.06^2 - 7.06^3 = ?$

a) 332

b) 328

c) 338

d) 346

e) 340

29) $85.24\% \text{ of } ? = 28.06 * 8.98 + \sqrt{5040}$

a) 360

b) 380

c) 390

d) 410

e) 420

30) $22.15^2 + 14.01^2 - 19.01^2 = ?$

a) 319

b) 324

c) 315

d) 310

e) 302

31) $29.29^2 - \sqrt[3]{2200} + \sqrt[3]{2740} = ?^2 - \sqrt{3360}$

a) 25

b) 30

c) 35

d) 40

e) 45

32) $83.33\% \text{ of } 209.91 + 14.28\% \text{ of } 139.91 = ?$

a) 195

b) 160

c) 185

d) 180

e) 175

Directions (33-38): What value should come in the place of (?) in the following questions.

33) $(7 \div 13) * (8645 \div 19) = ? \div 2$

a) 485

b) 490

c) 495

d) 475

e) 480

34) $(14^3 * 15) \div \sqrt{784} = ?^2 + 314$

a) 32

b) 36

c) 28

d) 38

e) 34

35) $888 \div 37 + 828 \div 23 = ?$

a) 60

b) 70

c) 80

d) 50

e) 40

36) $78\% \text{ of } 600 - 19^2 + \sqrt{169} = ? * 6$

a) 22

b) 18

c) 28

d) 20

e) 24

37) $(44 * 18) \div \sqrt{4356} + \sqrt{2304} = ?$

a) 40

- b) 45
- c) 50
- d) 55
- e) 60

38) $27^2 + (806 \div 26) + 12\% \text{ of } 200 = ?^2$

- a) 28
- b) 26
- c) 32
- d) 24
- e) 22

Directions (39-44): Following question contains two equations as I and II. You have to solve both equations and determine the relationship between them and give answer as,

39)

I) $x^2 + 16x + 64 = 0$

II) $y^2 + 15y + 26 = 0$

- a) $x > y$
- b) $x \geq y$
- c) $x = y$ or relationship can't be determined.
- d) $x < y$
- e) $x \leq y$

40)

I) $x^2 - 2x - 224 = 0$

II) $y^2 + 29y + 210 = 0$

- a) $x > y$
- b) $x \geq y$
- c) $x = y$ or relationship can't be determined.
- d) $x < y$
- e) $x \leq y$

41)

I) $x^2 = 11x$

II) $y^2 - 21y + 110 = 0$

- a) $x > y$
- b) $x \geq y$
- c) $x = y$ or relationship can't be determined.
- d) $x < y$
- e) $x \leq y$

42)

I) $x^2 - 36 = 0$

II) $y^3 - 27 = 0$

- a) $x > y$
- b) $x \geq y$
- c) $x = y$ or relationship can't be determined.
- d) $x < y$
- e) $x \leq y$

43)

I) $x^2 + 57 = 2x^2 - 16x$

II) $y^2 + 12y + 27 = 0$

- a) $x > y$
- b) $x \geq y$
- c) $x = y$ or relationship can't be determined.
- d) $x < y$
- e) $x \leq y$

44)

I) $x^2 - 13x - 90 = 0$

II) $y^2 + 6y - 91 = 0$

- a) $x > y$
- b) $x \geq y$
- c) $x = y$ or relationship can't be determined.
- d) $x < y$

e) $x \leq y$

Directions (45-50): What value should come in the place of (?) in the following number series?

45) 100, 120, 180, 216, ?

- a) 324
- b) 336
- c) 342
- d) 348
- e) 352

46) 32, 48, ?, 240, 720, 2520

- a) 64
- b) 72
- c) 96
- d) 84
- e) 120

47) 12, 21, 46, 95, ?, 385

- a) 190
- b) 196
- c) 204
- d) 216

e) 210

48) 2835, 810, 270, 108, ?, 36

- a) 54
- b) 66
- c) 83
- d) 92
- e) 70

49) 4, 16, 40, 76, 124, ?

- a) 156
- b) 164
- c) 184
- d) 174
- e) 194

50) 12, 13, ?, 48, 112, 237

- a) 18
- b) 21
- c) 24
- d) 27
- e) 32

[Click Here to Get the Detailed Video Solution for the above given Questions](#)

Or Scan the QR Code to Get the Detailed Video Solutions



[Click Here to Get our Grand Bundle PDF Course to Access 40,000 Qus \(Eng+Hin\) with Video Solution](#)

Answer Key with Explanation
1) Answer: A

Ratio of the Number of videos and photos posted on FaceBook = 24:100

 $= 6:25$

 Number of photos posted on Facebook = $25/31 * 8060 = 6500$
2) Answer: C

 Required % = $(4/29 * 9280)/(1/6 * 10200) * 100 = 75.29\%$
3) Answer: B

 Difference = $(50 - 11)/61 * 6710 = 4290$
4) Answer: D

Number of videos and photos on instagram = 18:100 = 9:50

 Required % = $((50/59) * 10620)/10200 * 100 = 9000 * 100 / 10200 = 88.23\%$
5) Answer: A

 Required average = $(8060 + 10200 + 10620 + 6710 + 9280)/5 = 44870/5 = 8974$
6) Answer: B

 Number of casual shirts by shop C = $11/19 * 4560 = 2640$

 Number of casual shirts by shop D = $100/(100 + 60) * 6400 = 4000$

 Required % = $2640/4000 * 100$
 $= 66\%$
7) Answer: C

 Required ratio = $100/(100 + 140) * 3600:4/13 * 5200 = 1500:1600 = 15:16$
8) Answer: A

 Required average = $(5200 * 9/13 + 4560 * 8/19 + 6400 * 3/8)/3 = (3600 + 1920 + 2400)/3 = 2640$
9) Answer: D

 Total number of shirts sold in F = $(5200 + 6080)/2 = 5640$
 Number of casual shirts in F = $5640 - 3740 = 1900$
10) Answer: E

 Required ratio = $(3600 + 6400):(6080) = 10000:6080 = 125:76$
11) Answer: A

 Investment of Anitha and Vanitha = $125x:100x = 5x:4x$
 Profit share of Anitha, Vanitha and Sania = $5x * 3:4x * 3:2700 * 2 = 15x:12x:5400 = 15x/(27x + 5400) = 7500/17100 = 135x + 27000 = 171x$

[Click Here to Get our Grand Bundle PDF Course to Access 40,000 Qus \(Eng+Hin\) with Video Solution](#)

$$x = 750$$

$$\text{Initial investment of Vanitha} = 750 * 4 = \text{Rs.}3000$$

12) Answer: A

$$\text{Length of train B} = x$$

$$x + 400 = (54 + 81) * 5/18 * 19.2$$

$$x = 320$$

$$\text{Length of platform} = 5/8 * 320 = 200 \text{ m}$$

$$\text{Required time} = (320 + 200)/(81 * 5/18) = 23.11 \text{ seconds}$$

13) Answer: B

$$\text{Siva} = 4x$$

$$\text{Dhanush} = 4x * 125/100 = 5x$$

$$\text{Dhanush} - \text{Aniruth} = 5$$

$$\text{Aniruth} = 5x - 5$$

$$4x + 5x + 5x - 5 = 31 * 3$$

$$14x = 98$$

$$x = 7$$

$$\text{Present age of Aniruth} = 5 * 7 - 5 = 30$$

14) Answer: D

$$\text{CP of mixture} = (60 * 3 + 96 * 2)/5 = \text{Rs.}74.4$$

$$\text{Required \%} = (82.4 - 74.4)/74.4 * 100 = 10.75\%$$

15) Answer: A

$$8960 - 5600 = 5600 * 4 * R/100$$

$$R = 15\%$$

$$\text{CA} = 4500 * (1 + 15/100)^3 = \text{Rs.}6843.9375$$

16) Answer: C

$$A = 1/x$$

$$B = 1/(x + 2)$$

$$C = 1/(x+2) * 100/75 = 4/3(x+2)$$

Time taken to complete the whole work by A, B and C together = $100/75 * (18/11) = 24/11$

$$1/x + 1/(x + 2) + 4/3(x + 2) = 11/24$$

$$(3x + 6 + 3x + 4x)/(3x * (x + 2)) = 11/24$$

$$240x + 144 = 33x^2 + 66x$$

$$11x^2 - 58x - 48 = 0$$

$$x = 6 \text{ (neglecting negative values)}$$

17) Answer: B

$$\text{Speed of boat} = 5x$$

$$\text{Speed of current} = 4x$$

$$540/(9x) - 540/(5x * 120/100 + 4x) = 24/60$$

$$x = 15$$

$$\text{Speed of upstream} = 5x - 4x = 15 \text{ kmph}$$

18) Answer: E

$$\text{Length of rectangle} = 100x$$

$$\text{Breadth} = 100x * 40/100 = 40x$$

$$\text{Area of the rectangle} = 100x * 40x$$

$$\text{New length of rectangle} = 100x * 50/100 = 50x$$

$$\text{New area of the rectangle} = 100x * 40x * 125/100 = 5000x^2$$

$$\text{New breadth} = 5000x^2/50x = 100x$$

$$\text{Required \%} = (100x - 40x)/40x * 100 = 150\%$$

19) Answer: A

$$\text{MP} - \text{SP} = \text{discount}$$

$$\text{MP of article A} = 4x$$

$$\text{MP of article B} = 4x * 75/100 = 3x$$

$$\text{Discounts of article A and B} = 100:100/3 = 3:1$$

$$(4x - 3000)/(3x - 3000) = 3/1$$

$$9x - 9000 = 4x - 3000$$

$$5x = 6000$$

$$x = 1200$$

$$\text{MP of article A} = 1200 * 4 = \text{Rs.4800}$$

20) Answer: E

$$x * 90/100 * 90/100 * 90/100 = 218700$$

$$x = 300000$$

21) Answer: C

$$13 + (1 * 3) = 16$$

$$16 + (1 * 6) = 22$$

$$22 + (2 * 2) = 26$$

$$26 + (2 * 6) = 38$$

$$38 + (3 * 8) = 62$$

22) Answer: E

$$16 * 1.5 = 24$$

$$24 * 1.5 = 36$$

$$36 * 1.5 = 54$$

$$54 * 1.5 = 81$$

$$81 * 1.5 = 121.5$$

23) Answer: A

$$6 + 4^2 + 1 = 23$$

$$23 + 5^2 + 1 = 49$$

$$49 + 6^2 + 1 = 86$$

$$86 + 7^2 + 1 = 136$$

$$136 + 8^2 + 1 = 201$$

24) Answer: B

$$12 + 18 = 30$$

$$30 + 20 = 50$$

$$50 + 24 = 74$$

$$74 + 32 = 106$$

$$106 + 48 = 154$$

25) Answer: D

$$1 + 3^2 = 10$$

$$10 + 5^2 = 35$$

$$35 + 3^2 = 44$$

$$44 + 5^2 = 69$$

$$69 + 3^2 = 78$$

26) Answer: A

$$13 + 7 * 1 = 20$$

$$20 + 8 * 2 = 36$$

$$36 + 9 * 3 = 63$$

$$63 + 10 * 4 = 103$$

$$103 + 11 * 5 = 158$$

27) Answer: E

$$(804.91 \div \sqrt{530}) * \sqrt{730} = ? * \sqrt{50}$$

$$35 * 27 = ? * 7$$

$$? = 135$$

28) Answer: D

$$25.05^2 + 8.06^2 - 7.06^3 = ?$$

$$? = 346$$

29) Answer: B

$$85.24\% \text{ of } ? = 28.06 * 8.98 + \sqrt{5040}$$

$$? = 380$$

30) Answer: A

$$22.15^2 + 14.01^2 - 19.01^2 = ?$$

$$484 + 196 - 361 = ?$$

$$? = 319$$

31) Answer: B

$$29.29^2 - \sqrt[3]{2200} + \sqrt[3]{2740} = ?^2 - \sqrt{3360}$$

$$841 - 13 + 14 = ?^2 - 58$$

$$? = 30$$

32) Answer: A

$$83.33\% \text{ of } 209.91 + 14.28\% \text{ of } 139.91 = ?$$

$$195 = ?$$

33) Answer: B

$$(7 \div 13) * (8645 \div 19) = ? \div 2$$

$$? = 490$$

34) Answer: E

$$(14^3 * 15) \div \sqrt{784} = ?^2 + 314$$

$$1156 = ?^2$$

$$? = 34$$

35) Answer: A

$$888 \div 37 + 828 \div 23 = ?$$

$$24 + 36 = ?$$

$$? = 60$$

36) Answer: D

$$78\% \text{ of } 600 - 19^2 + \sqrt{169} = ? * 6$$

$$? = 20$$

37) Answer: E

$$(44 * 18) \div \sqrt{4356} + \sqrt{2304} = ?$$

$$60 = ?$$

38) Answer: A

$$27^2 + (806 \div 26) + 12\% \text{ of } 200 = ?^2$$

$$729 + 31 + 24 = ?^2$$

$$? = 28$$

39) Answer: C

$$x^2 + 16x + 64 = 0$$

$$x^2 + 8x + 8x + 64 = 0$$

$$x(x + 8) + 8(x + 8) = 0$$

$$x = -8, -8$$

$$y^2 + 15y + 26 = 0$$

$$y^2 + 13y + 2y + 26 = 0$$

$$y(y + 13) + 2(y + 13) = 0$$

$$y = -2, -13$$

Relationship between x and y cannot be established.

40) Answer: B

$$x^2 - 2x - 224 = 0$$

$$x^2 - 16x + 14x - 224 = 0$$

$$x(x - 16) + 14(x - 16) = 0$$

$$x = 16, -14$$

$$y^2 + 29y + 210 = 0$$

$$y^2 + 14y + 15y + 210 = 0$$

$$y(y + 14) + 15(y + 14) = 0$$

$$y = -14, -15$$

$$x \geq y$$

41) Answer: C

$$x^2 = 11x$$

$$x^2 - 11x = 0$$

$$x(x - 11) = 0$$

$$x = 0, 11$$

$$y^2 - 21y + 110 = 0$$

$$y^2 - 11y - 10y + 110 = 0$$

$$y(y - 11) - 10(y - 11) = 0$$

$$y = 11, 10$$

Relationship between x and y cannot be established.

42) Answer: C

$$x^2 - 36 = 0$$

$$x = 6, -6$$

$$y^3 - 27 = 0$$

$$y^3 = 27$$

$$y = 3$$

Relationship between x and y cannot be established.

43) Answer: B

$$x^2 + 57 = 2x^2 - 16x$$

$$x^2 - 16x - 57 = 0$$

$$x^2 - 19x + 3x - 57 = 0$$

$$x(x - 19) + 3(x - 19) = 0$$

$$x = -3, 19$$

$$y^2 + 12y + 27 = 0$$

$$y^2 + 9y + 3y + 27 = 0$$

$$y(y + 9) + 3(y + 9) = 0$$

$$y = -9, -3$$

$$x \geq y$$

44) Answer: C

$$x^2 - 13x - 90 = 0$$

$$x^2 - 18x + 5x - 90 = 0$$

$$x(x - 18) + 5(x - 18) = 0$$

$$x = -5, 18$$

$$y^2 + 6y - 91 = 0$$

$$y^2 + 13y - 7y - 91 = 0$$

$$y(y + 13) - 7(y + 13) = 0$$

$$y = 7, -13$$

Relationship between x and y cannot be established.

45) Answer: A

$$100 * 1.2 = 120$$

$$120 * 1.5 = 180$$

$$180 * 1.2 = 216$$

$$216 * 1.5 = 324$$

46) Answer: C

$$32 * 1.5 = 48$$

$$48 * 2 = 96$$

$$96 * 2.5 = 240$$

$$240 * 3 = 720$$

$$720 * 3.5 = 2520$$

47) Answer: D

$$12 + 3^2 = 21$$

$$21 + 5^2 = 46$$

$$46 + 7^2 = 95$$

$$95 + 11^2 = 216$$

$$216 + 13^2 = 385$$

48) Answer: A

$$2835/3.5 = 810$$

$$810/3 = 270$$

$$270/2.5 = 108$$

$$108/2 = 54$$

$$54/1.5 = 36$$

49) Answer: C

$$4 + (24 * 0.5) = 16$$

$$16 + (24 * 1) = 40$$

$$40 + (24 * 1.5) = 76$$

[Click Here to Get our Grand Bundle PDF Course to Access 40,000 Qus \(Eng+Hin\) with Video Solution](#)

$$76 + (24 * 2) = 124$$

$$124 + (24 * 2.5) = 184$$

50) Answer: B

$$12 + 1^3 = 13$$

$$13 + 2^3 = 21$$

$$21 + 3^3 = 48$$

$$48 + 4^3 = 112$$

$$112 + 5^3 = 237$$

Dear Friends, this is the Special Paid Bundle PDF Course which was made because of the Hard work of Our Experts Team. This PDF Course consists of High-Standard Questions on Reasoning, Quants, English, Current Affairs Quiz, Static GK Quiz and Banking Awareness Quiz Exactly on Exam Level. Total 40,000 Questions and Course Duration is of 50 Days for each exam. If anyone got this PDF without purchasing it, kindly buy this PDF Officially using the link given below. This will encourage us to work harder to produce high quality content for you in upcoming days.

[Get Our Special Grand Bundle PDF Course for All Upcoming Bank Exams](#)

[Click Here to Get our Grand Bundle PDF Course to Access 40,000 Qus \(Eng+Hin\) with Video Solution](#)

Website:www.guidely.in | **Blog:**www.ibpsguide.com | **Email:**support@guidely.in

Dear Friends, this is the Special Paid Bundle PDF Course which was made because of the Hard work of Our Experts Team. This PDF Course consists of High-Standard Questions on Reasoning, Quants, English, Current Affairs Quiz, Static GK Quiz and Banking Awareness Quiz Exactly on Exam Level. Total 40,000 Questions and Course Duration is of 50 Days for each exam. If anyone got this PDF without purchasing it, kindly buy this PDF Officially using the link given below. This will encourage us to work harder to produce high quality content for you in upcoming days.

[Get Our Special Grand Bundle PDF Course for All Upcoming Bank Exams](#)

Grand Bundle PDF Course 2021

Exams Covered:
SBI Clerk | SBI PO | IBPS RRB PO |
IBPS RRB Clerk | IBPS PO | IBPS Clerk

Separate PDF Course for All Major **Bank Pre + Mains** Exams

- Total No. of Ques.: **40,000+**
- Question in Bilingual (**Eng & Hindi**)
- Answers With Detailed **Video Solution**
- Provides you **50 days Study Planner** for each exams
- **Covers all types** of questions in each topic
- Questions in **Exact Exam Level**
- All Our PDFs are **Downloadable**
- **100% Satisfaction Assured** & It's Worthy for your money

English Language

Directions (1-4): In the following questions two columns are given containing three sentences/phrases each. In the first column, sentences/phrases are A, B and C and in the second column the sentences/phrases are D, E and F. Three connectors have been given below the columns. Each question has five options which display the sequence(s) in which the sentences/phrases can be joined to form a grammatically and contextually correct sentence. Choose the pair(s) which make(s) a grammatically meaningful sentence.

1)

Column I	Column II
A) Advocate M.S Khan, appearing for Ariz, opposed the death penalty	D) She would not go hungry the next day.
B) Rajni said that she had saved some pieces of bread	E) She went to Kolkata for studies.
C) My sister has not written to me	F) Said the incident was not premeditated.

I) So that

II) And

III) Since

A. (A-II-F) (B-I-D) (C-III-E)

B. (B-II-E) (C-I-F)

C. (A-II-E) (B-III-D)

D. (A-I-D) (B-II-F) (C-III-E)

E. None of the above is a correct match

2)

Column I	Column II
A) India's arms imports fell by 33% between 2011-2015 and 2016-2020,	D) Lengthy procurement processes, combined with an attempt to reduce its dependence on Russian arms.
B) Some of my classmates envy me; feel insecure	E). I am a very successful artist
C) SIPRI attributed the drop in India's arms imports primarily due to its complex	F) It continues in the strategically-vulnerable position of being the world's second-largest arms importer.

I) But

II) Because

III) And

A. (A-I-E) (B-II-D)

B. (C-I-D) (A-II-F)(B-III-E)

C. (C-I-F) (B-III-F)

D. (B-II-E) (A-I-F)(C-III-D)

E. None of the above is a correct match

3)

Column I	Column II
A) Prime Minister Narendra Modi will visit West Bengal and meet Chief Minister Mamata Banerjee to assess the damage caused by cyclonic	D) The Centre and the West Bengal government have clashed once more over the list of guests invited to the review meeting, which will be chaired by

[Click Here to Get our Grand Bundle PDF Course to Access 40,000 Qus \(Eng+Hin\) with Video Solution](#)

storm Yaas in the state.	PM Modi.
B). Prime Minister Narendra Modi on Wednesday will hold a virtual meeting	E) finally allowed them to test their middle and lower order batting.
C) Chandigarh encountered a rare off-day from the top order	F) all the Chief Ministers amid rising Covid-19 cases across the country.

I) However

II) Which

III) With

A. (C-II-F) (B-I-E) (A-III-D)

B. (A-I-D) (B-III-F) (C-II-E)

C. (B-I-D) (A-II-F) (C-III-E)

D. (A-I-F) (B-II-D)(C-III-E)

E. None of the above is a correct match

4)

Column I	Column II
A) The neighborhood has therefore received the greatest attention	D) Cooking, while the rest continue to use traditional biomass fuels.
B) Only half of the households in urban slums fully depend on LPG	E) Emphasis in our diplomatic efforts and will continue to do so.
C) A significant share of the urban slum population is struggling to afford using LPG for all their cooking, especially	F) The rising fuel prices and the economic impact of the pandemic.

I) For

II) Due to

III) And

A. (C-I-F)(A-II-D)(B-III-E)

B. (A-II-D)(B-I-F)(C-III-E)

C. (B-I-D)(A-III-E)(C-II-F)

D. (B-I-E)(C-III-F)(A-II-D)

E. None of the above is a correct match

Directions (5-9): Three sentences are divided into five parts and every sentence's part may or may not contain error. You have to find out the incorrect part from each sentence and mark the answer.

5)

i) It goes to his credit **(A)**/ that he was a clean man **(B)**/ in politics as well as **(C)**/ his person dealings **(D)**/ No error **(E)**

ii) Your over dependent on **(A)**/ others even for **(B)**/ trivial matters may **(C)**/ prove disadvantageous **(D)**/ No error **(E)**

iii) Some people have **(A)**/ generously contributed to the welfare fund **(B)**/ but they wanted that there names**(C)**/ should not be published **(D)**/ NO error **(E)**

A. (i-A) (ii-C) (iii-B)

B. (i-C) (ii-A) (iii-E)

C. (i-D) (ii-A) (iii-C)

D. (i-B) (ii- B) (iii-D)

E. All the sentences are correct

6)

i) Since most of the (A)/ employees were in (B)/ favor of the merger (C)/ it was a success (D)/ No error (E)

ii) Seeta will be suspended (A)/ because she opened an account (B)/ without obtaining none (C)/ of the necessary documents. (D)/ No error (E)

iii) To improve their efficiency (A)/ all income tax officers (B)/ will be provided with (C)/ laptops by next year. (D)/ No error (E)

A. (i-E)(ii-C)(iii-E)**B.** (i-A)(ii-A)(iii-A)**C.** (i-C)(ii-A)(iii-B)**D.** (i-D)(ii-E)(iii-C)**E.** All the sentences are correct**7)**

i) As I am suffering from(A)/ fever since morning I shall not be able(B)/ to attend the function(C)/ You are going to organize this evening.(D)/ No error(E)

ii) Rahul obtained good marks (A)/ not only in English essay (B)/ but also in Arithmetic which was (C)/ full of complicated calculations (D)/ No error (E)

iii) Rajesh Babu, who has been living (A)/ in this town from 1986, (B)/ is a well-known scholar of English (C)/ and a distinguished physician(D)/ No error (E)

A. (i-C)(ii-D)(iii-A)**B.** (i-A)(ii-A)(iii-B)**C.** (i-C)(ii-B)(iii-B)**D.** (i-B)(ii-E)(iii-A)**E.** All the sentences are correct**8)**

i) The president of (A)/ Directorate of Distance education(B)/ has given its consent(C)/ to join the meeting(D)/ No error (E)

ii) Nishu lent me some (A)/ rupees on the condition(B)/ that I should return the same(C)/ before the September end(D)/ No error (E)

iii) The candidates (A)/ who we have selected(B)/ for the competition(C)/ are smart, young and ambitious(D)/ No error (E)

A. (i-A)(ii-B)(iii-E)**B.** (i-B)(ii-A)(iii-B)**C.** (i-A)(ii-C)(iii-C)**D.** (i-C)(ii-C)(iii-B)**E.** All the sentences are correct**9)**

i) The house where the dead man was found(A)/ is being guarded by police(B)/ to prevent it from being entered(C)/ and the evidence interfered with.(D)/ No error (E).

ii) I missed the last bus(A)/ which I usually catch(B)/ and have to stay at the stand (C)/ on my way back home yesterday.(D)/ No error (E).

iii) Nothing ever becomes real(A)/ till it is experienced(B)/ even a proverb is no proverb to you(C)/ till your life has illustrated with it(D)/ No error (E).

A. (i-E)(ii-A)(iii-B)**B.** (i-E)(ii-C)(iii-D)**C.** (i-A)(ii-E)(iii-D)**D.** (i-B)(i-C)(iii-A)

E. All the sentences are correct

Directions (10-13): One word is highlighted and five options are given below the same in each question, these options contain the similar pair of either synonyms or antonyms. You have to find out the correct pair of either synonyms or antonyms of highlighted word.

10) Humongous

- A. Extremely small, Tiny
- B. Revoke, Seize
- C. Rampage, Lethal
- D. Prompted, Enormous
- E. Fascinate, Rescind

11) Impalpable

- A. Condemn, Libelous
- B. Muster, Assemble
- C. Swindler, Fraudster
- D. Saddle, Burden
- E. Insubstantial, Intangible

12) Sporadically

- A. Hamstring, Cripple
- B. Derogatory, Pious
- C. Irregular, Occasionally
- D. Sacrilege, Sacred
- E. Gallantry, Envisage

13) Clandestine

- A. Rustic, simple
- B. Felony, Crime
- C. Biased, Whimsical
- D. Secret, Covert

E. Gaudy, Showy

Directions (14-20): Read the following passage carefully and answer the questions given.

Certain words/phrases have been given in bold to help you locate them while answering some of the questions.

The current global food situation is very serious and hence we need to understand the reason for such a dramatic increase in food prices in a short period. It is agreed that increases in energy costs are resulting in cost-push inflation but the contribution of energy costs to overall costs in agriculture may not explain the huge increase in food prices. Related to the current elevated energy prices, there has been a diversion of corn and edible oils to bio-fuels, which is significantly influenced by policy-induced new reality, which coincided with price escalation in precisely those products and hence is noteworthy.

The financialisation of commodity trade and current extraordinary conditions in global financial markets could have influenced the spurt in prices. The recent reductions in interest rates in US and the injection of liquidity have resulted in investors seeking new avenues such as commodity markets, in view of the turbulence in the financial market and the low returns in treasuries. The relatively easy liquidity and low interest rates, by themselves, make holding of inventories attractive and thus induce greater volatility in commodity markets. The weakening of the US dollar is also advanced as a reason for the recent volatility in commodity markets,

including food items. It is evident that this phenomenon is now also coinciding with the across-the-board rise in the food prices.

In brief, while there are demand and supply side pressures on food items, there is considerable merit in the argument that the recent extraordinary increases in food prices are closely linked to public policy responses to high energy costs in advanced economies, and the turbulence in financial markets and financial institutions. It is said that the impact of such policy-induced diversion of food to bio-fuels is significant at this juncture and reflects a preference to fill the fuel tanks of automobiles rather than fill the empty stomachs of people. Similarly, it is sometimes held that the weight accorded to financial stability in public policy may now be at the expense of stability in real sector – especially of sensitive commodities like food. At the same time, there is a general consensus that public policy in regard to food in many economies around the world has not provided adequate incentive to farmers to increase the supply of food and other agricultural products to comfortably match the growing demand over the medium term.

14) The passage lays emphasis on which of the following central theme(s)?

- A. The abysmally throwaway prices offered for food commodities
- B. The worldwide acute shortage of food commodities
- C. Promoting the use of bio-fuel for automobiles
- A. Only A

- B. Only B
- C. Only C
- D. All the three
- E. None of these

15) Which of the following situations has/have prompted investors to look towards commodity markets?

- A. Dip in rates of interest in the U.S
- B. Easy liquidity
- C. Volatility in commodity prices
- A. A and B only
- B. B and C only
- C. A and C only
- D. All the three
- E. None of these

16) Which of the following shows a cause-effect relationship between its two components?

- A. Reduction in interest rates and abundance of food commodities
- B. Reduction in energy prices and increase in food commodity prices
- C. Injection of liquidity and the drop in investor confidence
- D. Dipping of US dollar value and volatility in commodity markets
- E. None of the above

17) Which of the following can be thought of as a measure to remedy the global situation mentioned in the passage?

- A. Reducing the production of cars and thereby the demand for energy

B. Inducing farmers to increase their food and other agricultural produce

C. Increasing the prices of food items to compensate farmers for their losses

A. Only A

B. A and B only

C. B only

D. B and C only

E. None of these

18) In what ways are bio-fuels responsible for the increasing cost of food?

A. It is a policy mandate to use bio-fuel in place of petroleum products, especially in developing countries.

B. Certain essential food commodities are being used for manufacturing fuels

C. The low cost of bio-fuels has created fluctuation in prices of other agricultural commodities.

A. Only A

B. Only B

C. Only C

D. A and B only

E. None of these

19) Choose the word which is most opposite in meaning of the word "Consensus"?

A. Deviant

B. Disagreement

C. Dejection

D. Denial

E. Dissuasion

20) Choose the word which is most similar in meaning of the word "Turbulence"?

A. Tranquility

B. Certainty

C. Turmoil

D. Restless

E. Lackluster

[Click Here to Get the Detailed Video Solution for the above given Questions](#)

Or Scan the QR Code to Get the Detailed Video Solutions



Answer Key with Explanation**1) Answer: A**

Advocate M.S Khan, appearing for Ariz, opposed the death penalty and said the incident was not premeditated.

Rajni said that she had saved some pieces of bread so that she would not go hungry the next day.

My sister has not written to me since she went to Kolkata for studies

2) Answer: D

India's arms imports fell by 33% between 2011-2015 and 2016-2020, but it continues in the strategically-vulnerable position of being the world's second-largest arms importer.

Some of my classmates envy me; feel insecure because I am a very successful artist

SIPRI attributed the drop in India's arms imports primarily due to its complex and lengthy procurement processes, combined with an attempt to reduce its dependence on Russian arms.

3) Answer: B

Chandigarh encountered a rare off-day from the top order, which finally allowed them to test their middle and lower order batting.

Prime Minister Narendra Modi on Wednesday will hold a virtual meeting with all the Chief Ministers amid rising Covid-19 cases across the country.

Prime Minister Narendra Modi will visit West Bengal and meet Chief Minister Mamata Banerjee to assess the damage caused by

cyclonic storm Yaas in the state. However, the Centre and the West Bengal government have clashed once more over the list of guests invited to the review meeting, which will be chaired by PM Modi.

4) Answer: C

The neighborhood has therefore received the greatest attention and emphasis in our diplomatic efforts and will continue to do so. Only half of the households in urban slums fully depend on LPG for Cooking, while the rest continue to use traditional biomass fuels. A significant share of the urban slum population is struggling to afford using LPG for all their cooking, especially due to the rising fuel prices and the economic impact of the pandemic.

5) Answer: C

- i- Replace person dealings with "personal dealings"
- ii- replace dependent with "dependence"
- iii- replace there with "their"

6) Answer: A

- ii) Replace none with "any"

7) Answer: B

- i) Replace I am suffering with "I have been suffering"
- ii) Replacerahul obtained with "Rahul had obtained"
- iii) Replace from 1986 with "since 1986"

8) Answer: D

- i) Replace its consent with “his consent”
- ii) Replace the same with “it”
- iii) Replace who with “whom”

9) Answer: B

- ii) Replace have with “had”
- iii) Replace has illustrated with “has been illustrated” or remove with from last part

10) Answer: A

Humongous- very large, huge, enormous
Extremely small, Tiny are antonym for the word
Humungous

11) Answer: E

Impalpable- unable to touch or feel,
Insubstantial, Intangible

12) Answer: C

Sporadically means occasionally or at irregular intervals.

13) Answer: D

Clandestine means kept secret or done secretly, especially because illicit.

14) Answer: B

As mentioned in the paragraph, the central theme of the passage revolves around the worldwide acute shortage of food commodities

15) Answer: A

As clearly mentioned in the second paragraph - The relatively easy liquidity and low interest rates, by themselves, make holding of inventories attractive and thus induce greater volatility in commodity markets.

16) Answer: D

As clearly mentioned in second paragraph - The weakening of the US dollar is also advanced as a reason for the recent volatility in commodity markets, including food items. It is evident that this phenomenon is now also coinciding with the across-the-board rise in the food prices.

17) Answer: C

The only measure to remedy the global situation is inducing farmers to increase their food and other agricultural produce

18) Answer: B

Certain essential food commodities are being used for manufacturing fuel. That is responsible for the increasing cost of food.

19) Answer: B

Consensus means agreement and disagreement is the antonym for the word consensus

20) Answer: C

Turbulence means havoc, turmoil

The Hindu Editorial Vocabulary

1) **Incarnation (noun)** – epitome, manifestation, abstract

Example: He brought the music known as jazz into its modern **incarnation**

Antonyms: Incarnation x counter, negative, contrast

2) **Denounce (verb)** – condemn, censure, attack

Example: The writers say they were tortured and forced to publicly **denounce** their work.

Antonyms: Denounce x support, back, endorse

3) **Scramble (verb)** –hurry, race, hasten

Example: The frantic team continued to **scramble** to make a goal but came up short at the end.

Antonyms: Scramble x dawdle, crawl, amble

4) **Decree (noun)** –order, command, proclamation

Example: The foreign government tried to reduce the population by issuing a **decree** limiting births.

Antonyms: Decree x answer, request, reply

5) **Dwindle (verb)** –fall, decline, subside

Example: As the dragons fly further away they begin to **dwindle**.

Antonyms: Dwindle x increase, amplify, grow

6) **Egregious (adjective)** –blatant, fragrant, glaring

Example: The judge said it was the most **egregious** act he had ever seen

Antonyms: Egregious x concealed, good, hidden

7) **Vernacular (adjective)** – informal, popular, familiar

Example: The **vernacular** of today's young people is very confusing for some of the older generation.

Antonyms: Vernacular x formal, learned, erudite

8) **Embellish (verb)** –adorn, decorate, grace

Example: Grandma likes to **embellish** her knitting by hiding secret messages in the pattern

Antonyms: Embellish x blemish, spoil, lessen

9) **Plausible (adjective)** – credible, probable, reasonable

Example: Jeremy was fired because he could not give his boss a **plausible** explanation for his constant tardiness to work.

Antonyms: Plausible x incredible, untenable, invalid

10) **Deterrence (noun)** –prevention, dissuasion, inhibition

Example: Universal controlled disarmament must replace **deterrence** and arms control as the national defense goal.

Antonyms: Deterrence x Assistance, support, | promotion

Dear Friends, this is the Special Paid Bundle PDF Course which was made because of the Hard work of Our Experts Team. This PDF Course consists of High-Standard Questions on Reasoning, Quants, English, Current Affairs Quiz, Static GK Quiz and Banking Awareness Quiz Exactly on Exam Level. Total 40,000 Questions and Course Duration is of 50 Days for each exam. If anyone got this PDF without purchasing it, kindly buy this PDF Officially using the link given below. This will encourage us to work harder to produce high quality content for you in upcoming days.

[Get Our Special Grand Bundle PDF Course for All Upcoming Bank Exams](#)